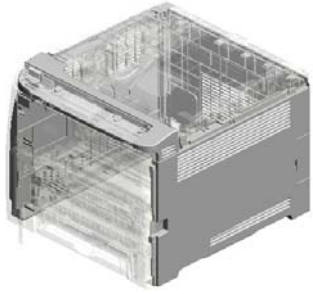


P C300W/C301W
(M0CS/M0CW-EU/AA)
Parts Catalog

Model	Product Code	PC Style
P C300W	M0CS	3D
P C301W	M0CW	3D
Scanner/DADF (M0CX0071)	M0CX	Traditional

Unit All



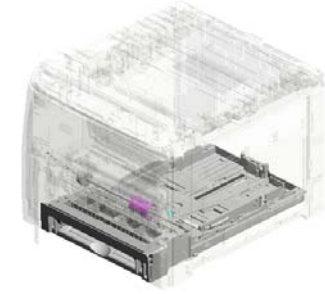
U001
EXTERIOR



U002
OPERATION



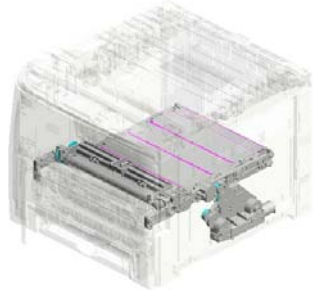
U003
LASER UNIT



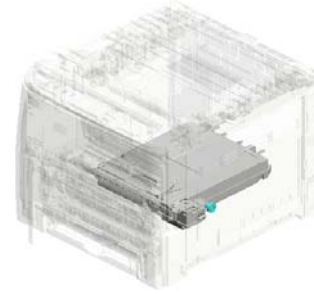
U004
PAPER FEED



U005
PCU



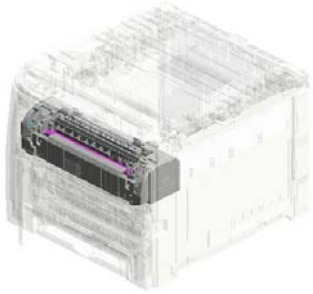
U006
ITB UNIT



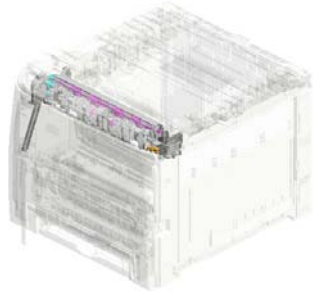
U007
USED TONER



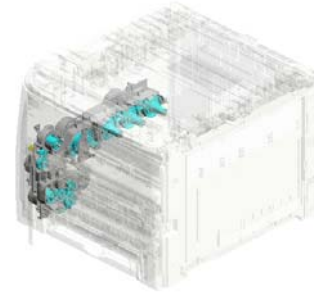
U008
PAPER TRANSPORT



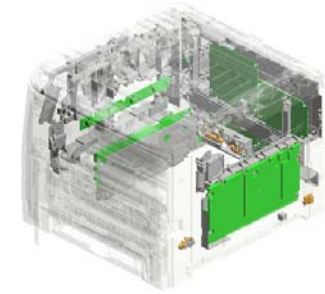
U009
FUSING



U010
PAPER EXIT

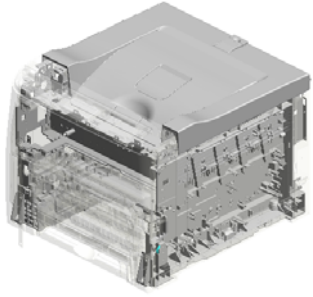


U011
MAIN DRIVE



U012
ELECTRICAL

Unit All



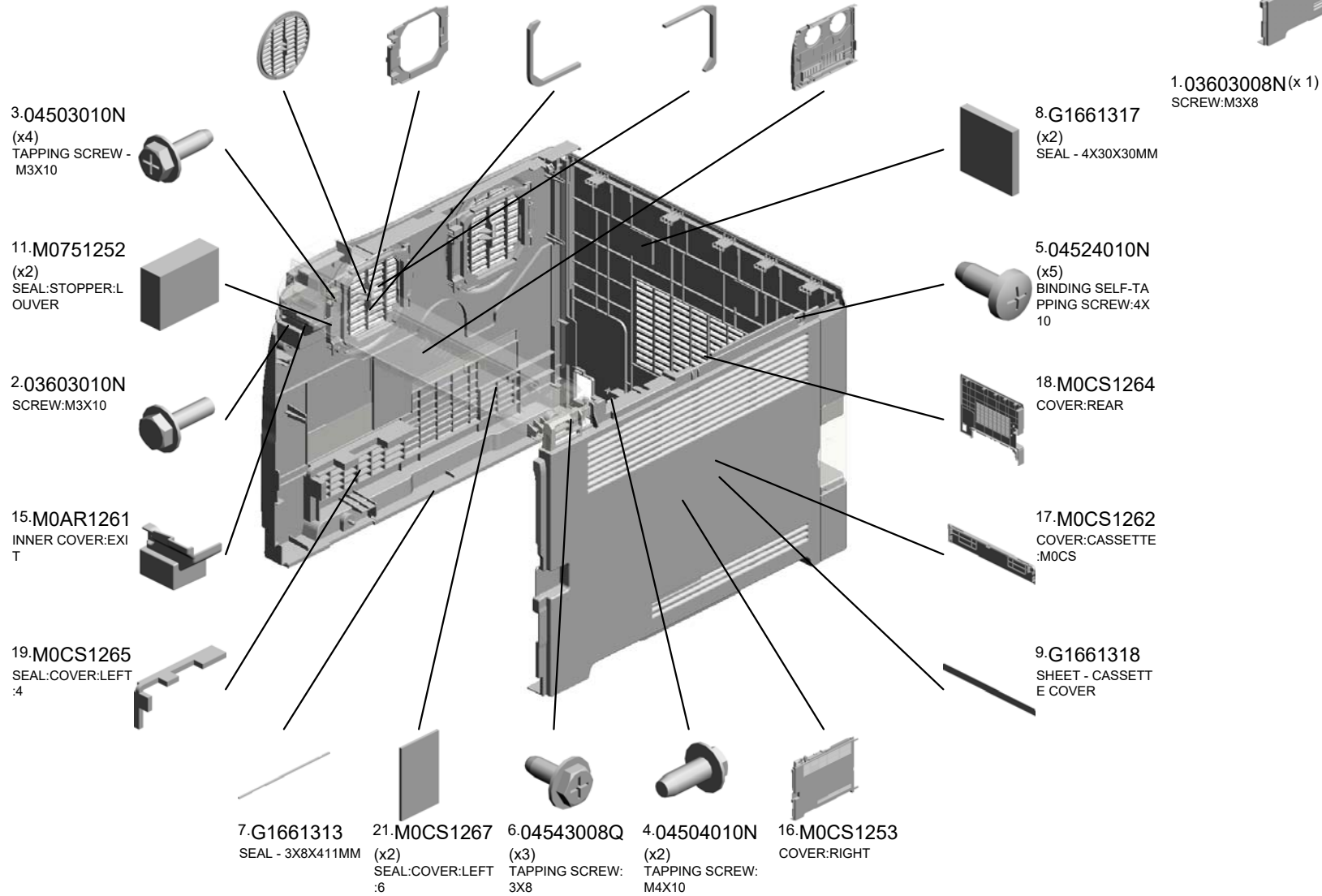
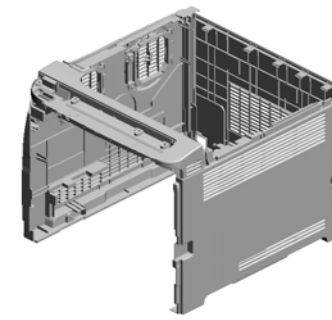
U013
MAIN FRAME



U014
ACCESSORIES

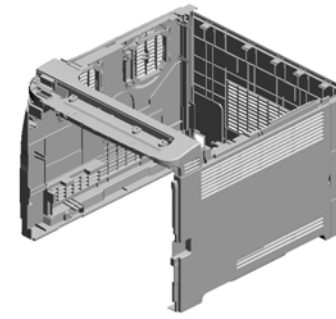
U001 EXTERIOR

- 14.M0AD1253 (x2) LOUVER
- 10.M0751251 (x2) GUIDE:LOUVER
- 13.M0751309 (x2) SEAL:GUIDE:LOUVER:LOWER
- 12.M0751308 (x2) SEAL:GUIDE:LOUVER:UPPER
- 20.M0CS1266 COVER:LEFT

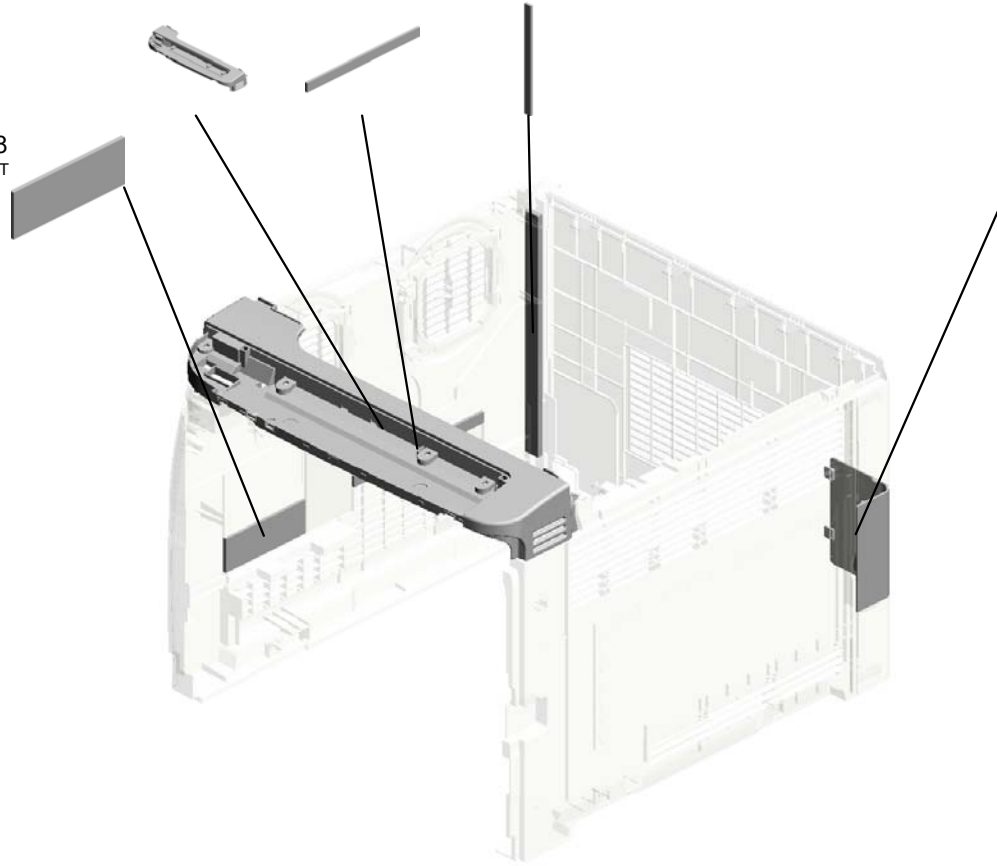


U001
EXTERIOR

25.M0CS1278 23.M0CS1269 24.M0CS1270
COVER:PAPER EXI SEAL:COVER:LEFT SEAL:COVER:LEFT
T SUB-UNIT :8 :3



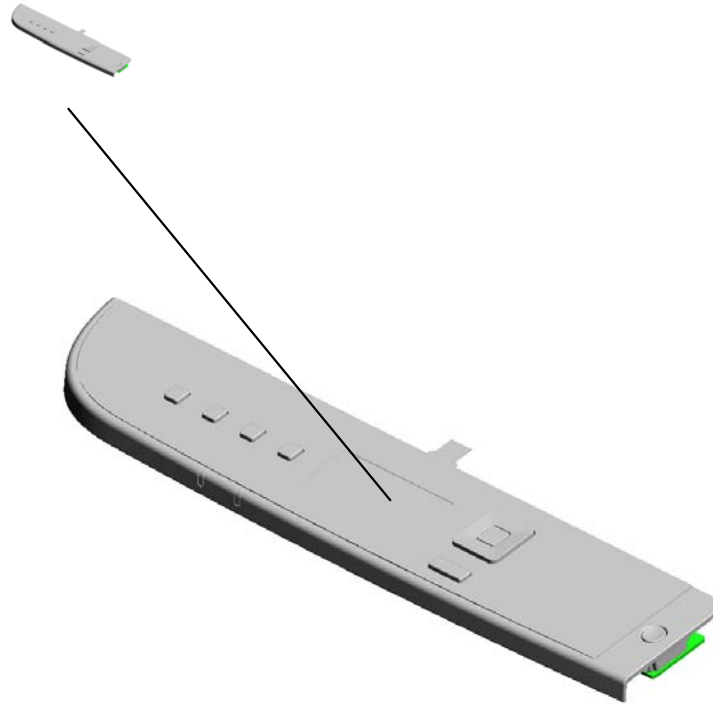
22.M0CS1268
SEAL:COVER:LEFT
:7



26.M0CS1308
COVER:INTERFAC
E:M0CS

U002.OPERATION

U002 S001
M0CS1401
(NA/EU/AA):OPERATION SUB
-UNIT:ASSY



U001	U002	U003	U004	U005	U006	U007	U008	U009	U010	U011	U012	U013	U014
------	------	------	------	------	------	------	------	------	------	------	------	------	------

U002
OPERATION



1.04503010N(x 4)
TAPPING SCREW - M3X10

U001	U002	U003	U004	U005	U006	U007	U008	U009	U010	U011	U012	U013	U014
------	------	------	------	------	------	------	------	------	------	------	------	------	------

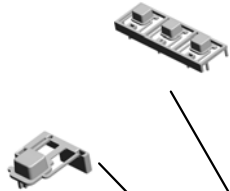
U002_S001
 (NA/EU/AA):OPERATION SUB-UNIT:ASS'Y

5.M0CS1453 KEYTOP:START/ST
 OP
 11.M0CS1471 (NA/EU/AA):SHEET
 :OPERATION SUB-
 UNIT
 2.18310005 LCD:4LINE:STN:MV



3.M0CS1401
 (NA/EU/AA):OPERA
 TION SUB-UNIT:AS
 SY

8.M0CS1456
 KEYTOP:WIFI



6.M0CS1454
 LENS



4.M0CS1452
 KEYTOP:RIGHT



9.M0CS1457
 (NA/EU/AA/CHN):K
 EYTOP:OK



7.M0CS1455
 KEYTOP:POWER



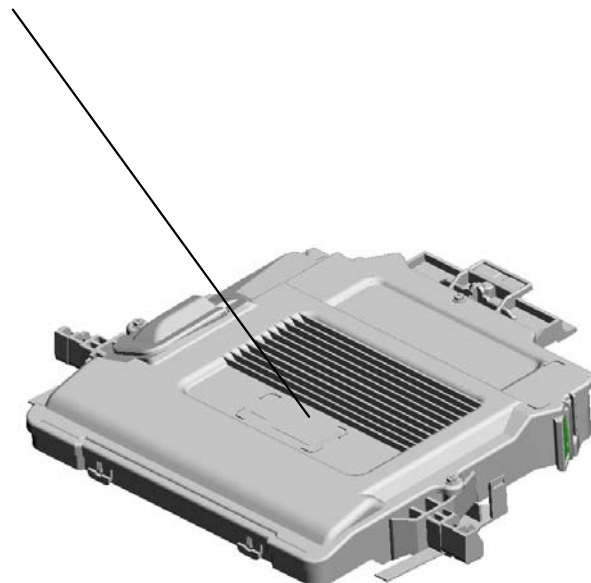
10.M0CS1466
 PCB:OPU:ASS'Y:(P
 CB7)



U001	U002	U003	U004	U005	U006	U007	U008	U009	U010	U011	U012	U013	U014
------	-------------	------	------	------	------	------	------	------	------	------	------	------	------

U003
LASER UNIT

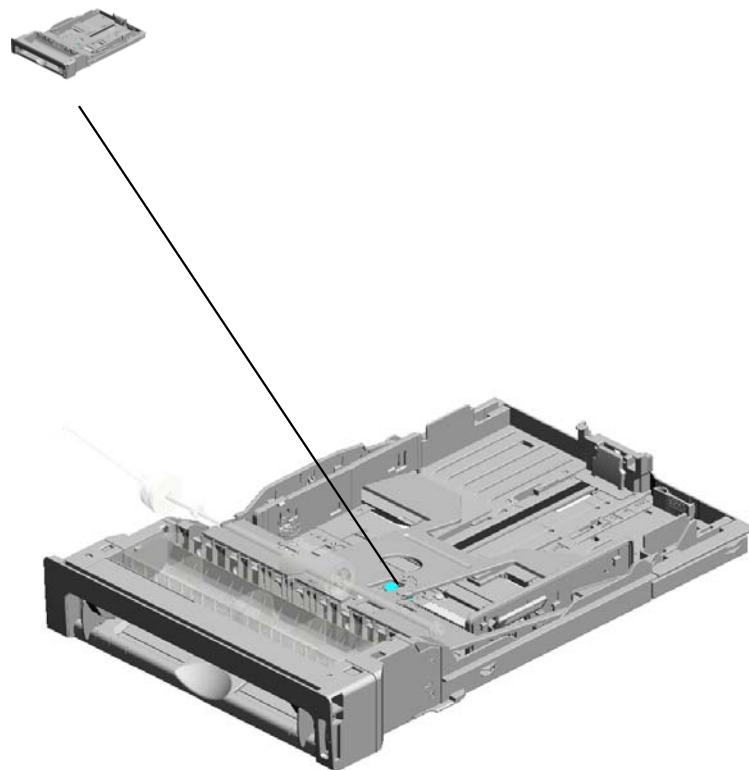
1.M0CS1851
OPTICAL WRITING
UNIT:ASS'Y



U001	U002	U003	U004	U005	U006	U007	U008	U009	U010	U011	U012	U013	U014
------	------	------	------	------	------	------	------	------	------	------	------	------	------

U004.PAPER FEED

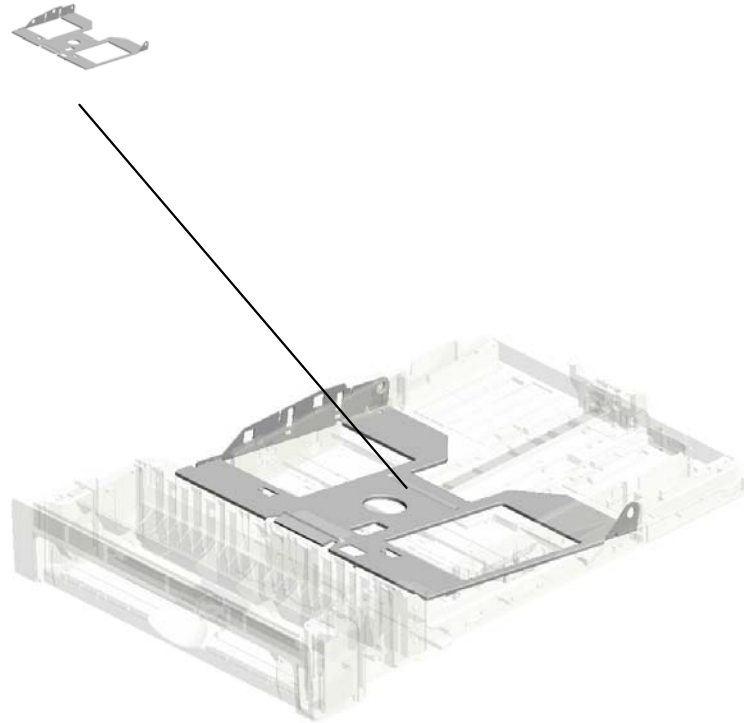
U004 S001
M0CS2550
PAPER TRAY:ASSY



U001	U002	U003	U004	U005	U006	U007	U008	U009	U010	U011	U012	U013	U014
------	------	------	-------------	------	------	------	------	------	------	------	------	------	------

U004_S001.PAPER TRAY:ASS'Y

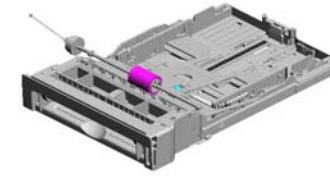
U004 S001 S001
M0CS2562
BASE:ADHESION



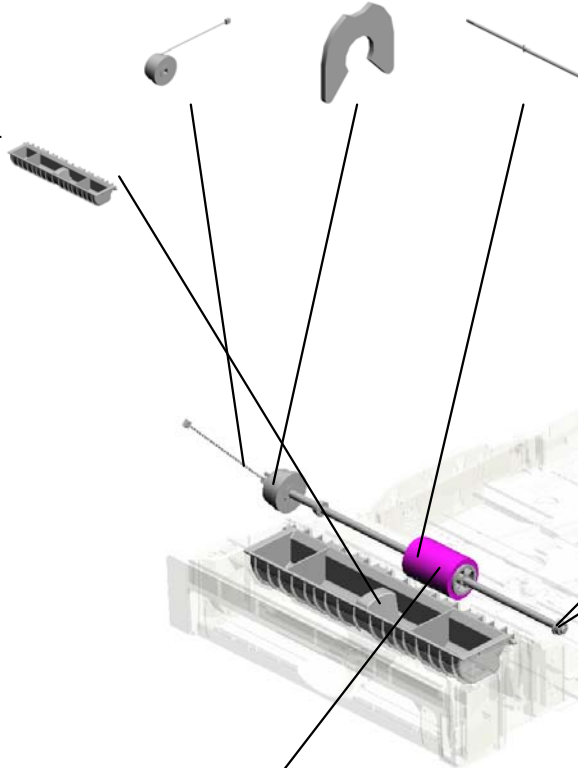
U001	U002	U003	U004	U005	U006	U007	U008	U009	U010	U011	U012	U013	U014
------	------	------	------	------	------	------	------	------	------	------	------	------	------

U004 PAPER FEED

20.GX201123 21.H5213355 44.M1982580
 MAGNETIC CLUTC C RING - PAPER F SHAFT:PAPER FEE
 H:0.25N:(CL1/CL2) EED ROLLER D ROLLER



26.M0AR2554
 GUIDE:DUPLX



3.08050089
 (x2)
 RETAINING RING -
 M4

4.AA082101
 (x2)
 BUSHING - 6X10X6

6.AF031061
 PAPER FEED ROL
 LER

U001	U002	U003	U004	U005	U006	U007	U008	U009	U010	U011	U012	U013	U014
------	------	------	------	------	------	------	------	------	------	------	------	------	------

U004_S001
PAPER TRAY:ASS'Y



30.M0CS2550
PAPER TRAY:ASS'
Y

- 11.G1662570 (x2) COMPRESSION SP RING
- 22.M0182608 COVER:BASE
- 17.G1662619 SHEET:BASE
- 5.AA132013 SPACER
- 7.D0094511 SPACER:DIA8.0:1.5 MM

16.G1662606 COMPRESSION SP RING

27.M0AR2560 SIDE FENCE:LEFT: MANUAL FEED

24.M0AR2552 PAPER TRAY:FRO NT

25.M0AR2553 CASSETTE COVER

18.G8003133 SIDE FENCE GEAR

1.04503010N TAPPING SCREW - M3X10

15.G1662589 DAMPING INSULAT ION

13.G1662573 HOLDER SHEET

9.G1662568 COMPRESSION SP RING

10.G1662569 LEVER PAPER VO LUME SENSOR

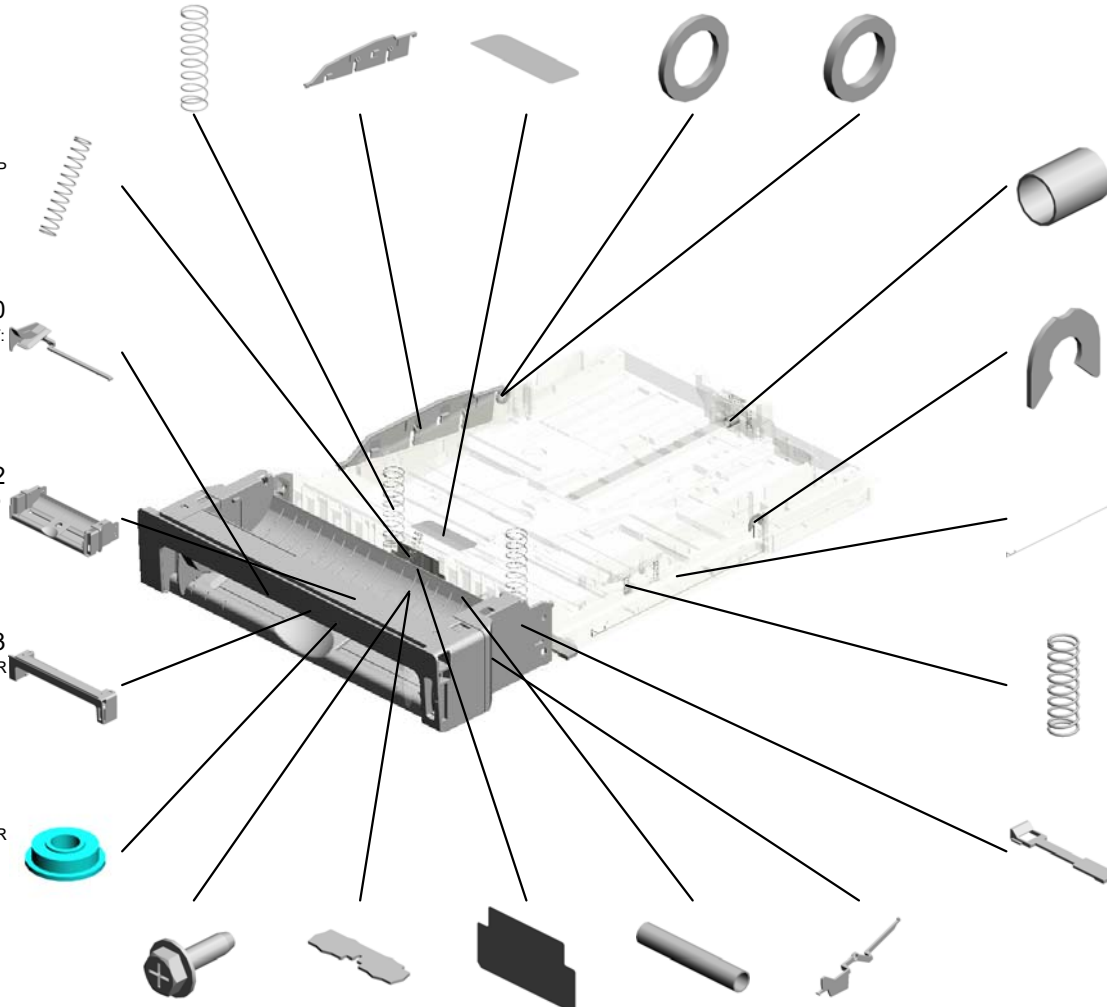
14.G1662578 COMPRESSION SP RING

2.08050088 RETAINING RING - M6

12.G1662572 EARTH SPRING

23.M0752610 (x4) COMPRESSION SP RING:LOCK:SIDE F ENCE

8.G1662567 BOTTOM PLATE S TOPPER

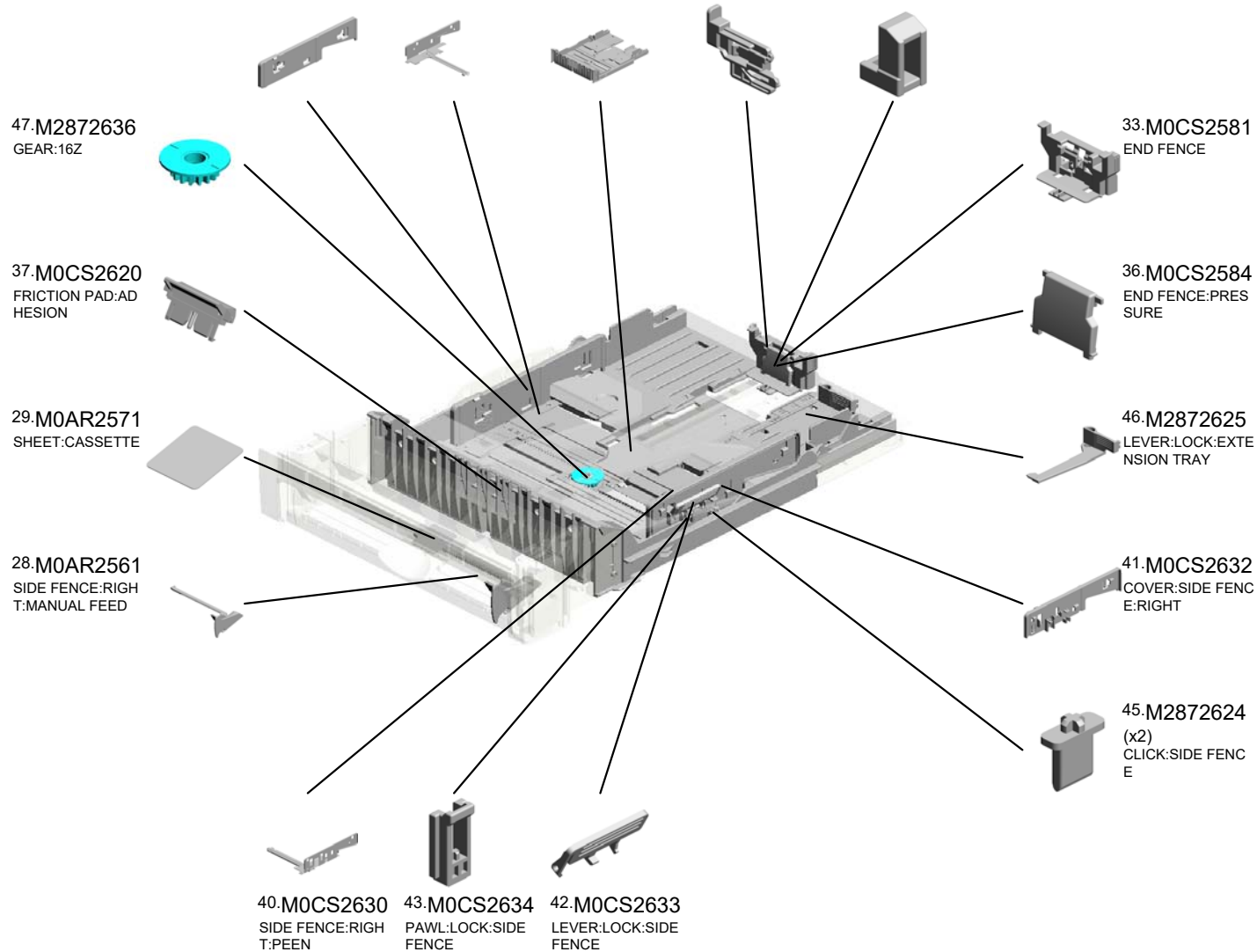


U004_S001
PAPER TRAY:ASS'Y

39.M0CS2628 COVER:SIDE FENCE:LEFT
38.M0CS2622 SIDE FENCE:LEFT:PEEN
31.M0CS2551 PAPER TRAY
34.M0CS2582 LEVER:LOCK:END FENCE
35.M0CS2583 PAWL:LOCK:END FENCE

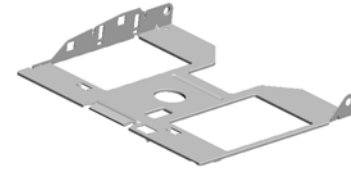


30.M0CS2550 PAPER TRAY:ASS'Y



U004_S001_S001
BASE:ADHESION

19.GF013001
BOTTOM PLATE P
AD



32.M0CS2562
BASE:ADHESION



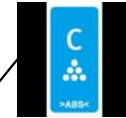
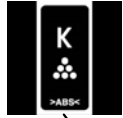
U001	U002	U003	U004	U005	U006	U007	U008	U009	U010	U011	U012	U013	U014
------	------	------	------	------	------	------	------	------	------	------	------	------	------

U005
PCU

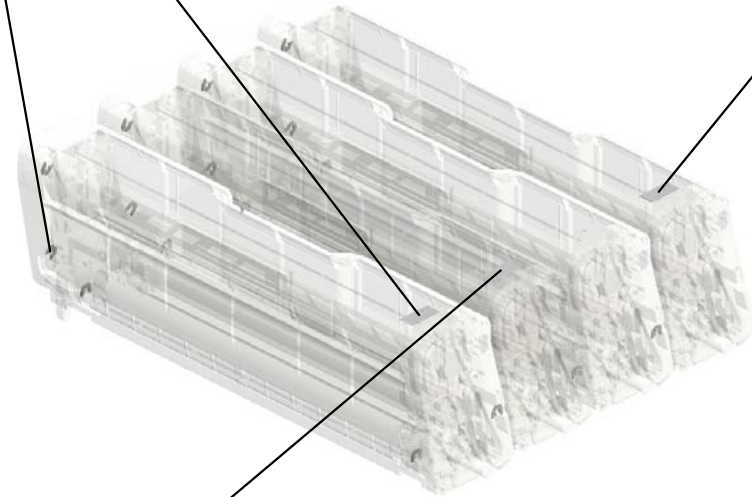
2.G1663331
(x2)
DECAL - BLACK



1.08050092
(x32)
RETAINING RING -
3M



3.G1663333
(x2)
DECAL - CYAN

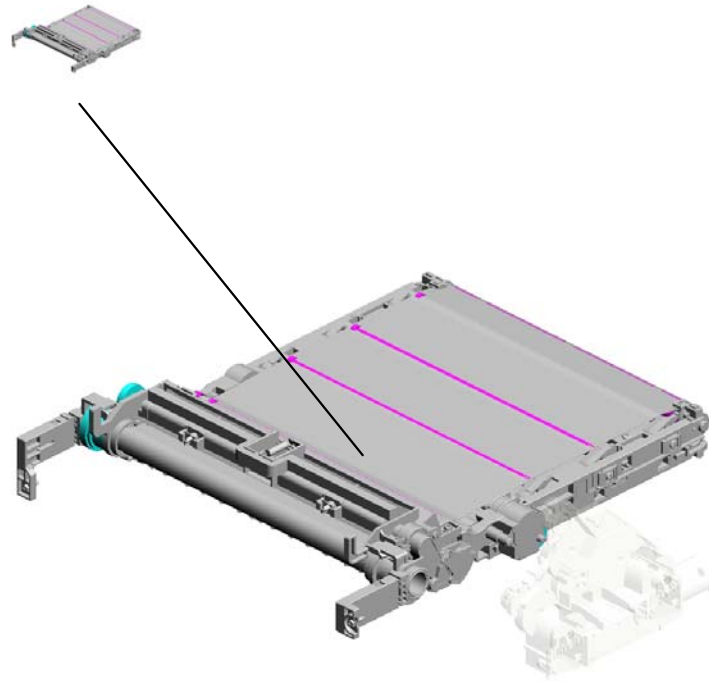


4.G1663334
(x2)
DECAL - YELLOW

U001	U002	U003	U004	U005	U006	U007	U008	U009	U010	U011	U012	U013	U014
------	------	------	------	------	------	------	------	------	------	------	------	------	------

U006.ITB UNIT

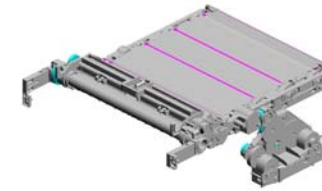
U006 S001
M0CS6000
INTERMEDIATE TRANSFER
SECTION:ASSY



U001	U002	U003	U004	U005	U006	U007	U008	U009	U010	U011	U012	U013	U014
------	------	------	------	------	-------------	------	------	------	------	------	------	------	------

U006 ITB UNIT

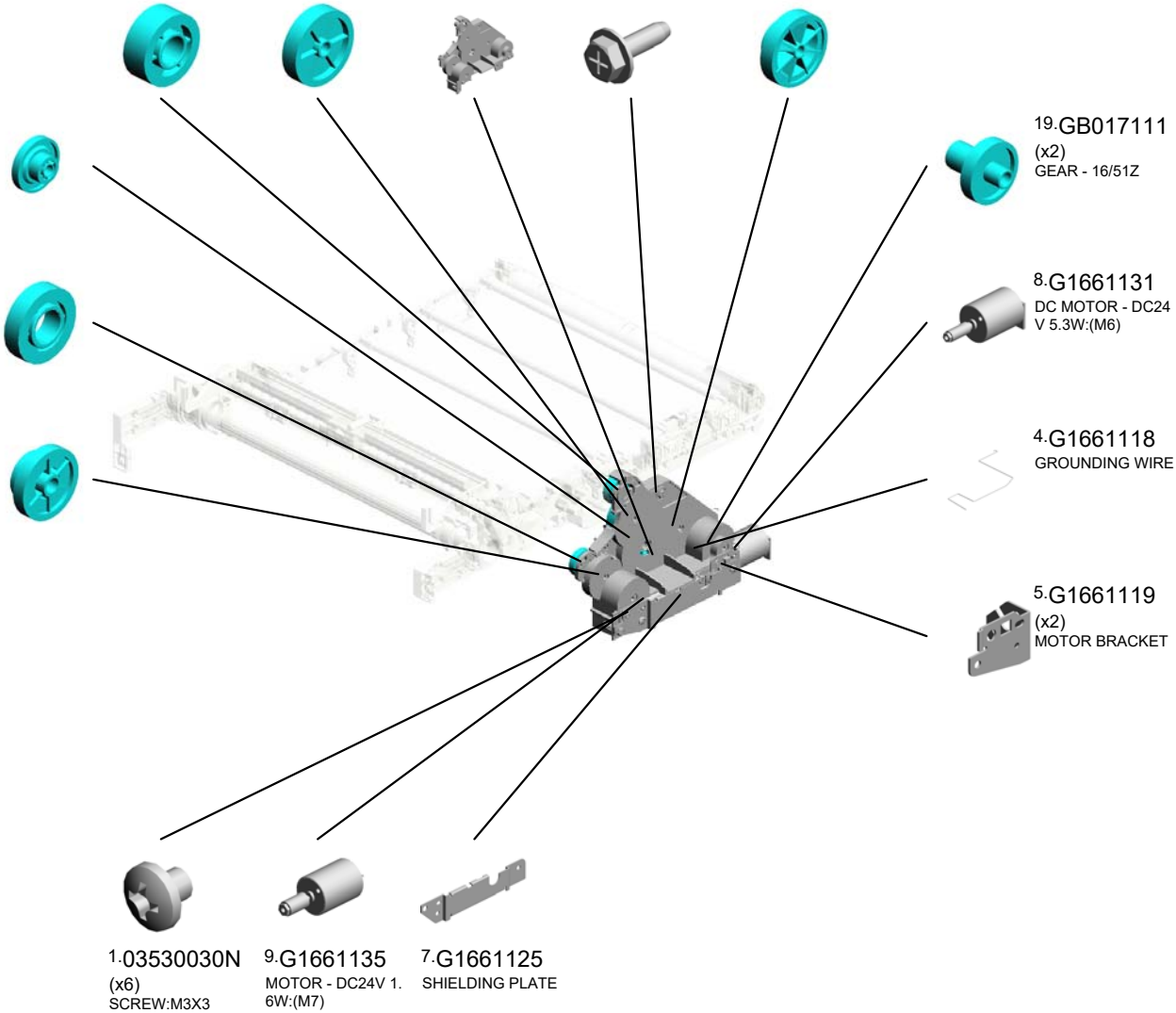
- 17.GB013115 GEAR - 21Z
- 16.GB013114 GEAR - 35Z
- 6.G1661123 FRAME - ON-OFF DRIVE UNIT
- 2.04503010N (x5) TAPPING SCREW - M3X10
- 21.GB017113 GEAR - 40/65Z



- 20.GB017112 GEAR - 21/73Z

- 18.GB013117 GEAR - 19Z

- 22.GB017116 GEAR - 17/42Z

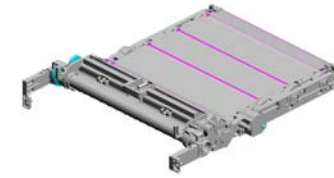


U001	U002	U003	U004	U005	U006	U007	U008	U009	U010	U011	U012	U013	U014
------	------	------	------	------	------	------	------	------	------	------	------	------	------

U006_S001

INTERMEDIATE TRANSFER SECTION:ASS'Y

12.G1666193 3.07200040E
LEFT HOLDER - TR
ANSFER BELT UNI
T (x2)
RETAINING RING -
M4



23.M0CS6000
INTERMEDIATE TR
ANSFER SECTION:
ASS'Y

15.G1666197
LEFT SLIDER - TR
ANSFER BELT UNI
T



2.04503010N
(x5)
TAPPING SCREW -
M3X10



13.G1666194
RIGHT HOLDER - T
ANSFER BELT U
NIT



10.G1666026
(x2)
BUSHING - 19MM



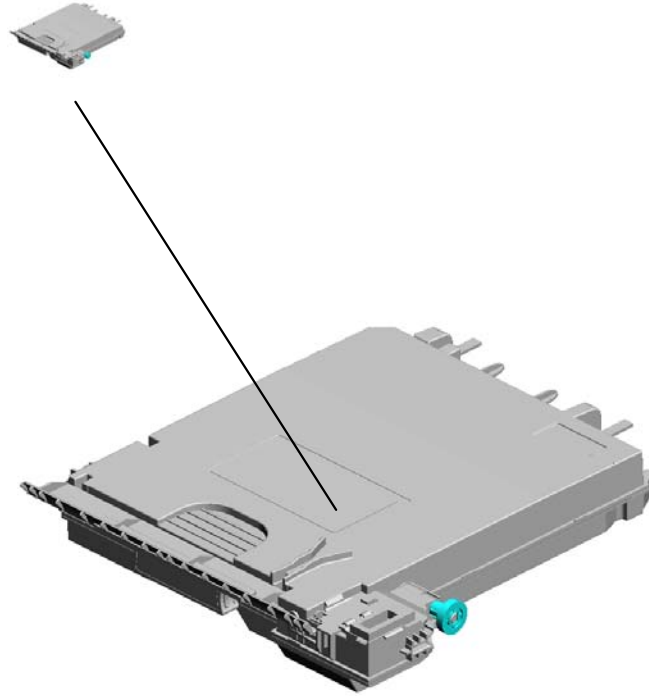
14.G1666196
RIGHT SLIDER - T
ANSFER BELT U
NIT



11.G1666099
(x2)
COMPRESSION SP
RING

U007.USED TONER

U007 S001
M0AR0640
TONER RECYCLING SECTION



U001	U002	U003	U004	U005	U006	U007	U008	U009	U010	U011	U012	U013	U014
------	------	------	------	------	------	------	------	------	------	------	------	------	------

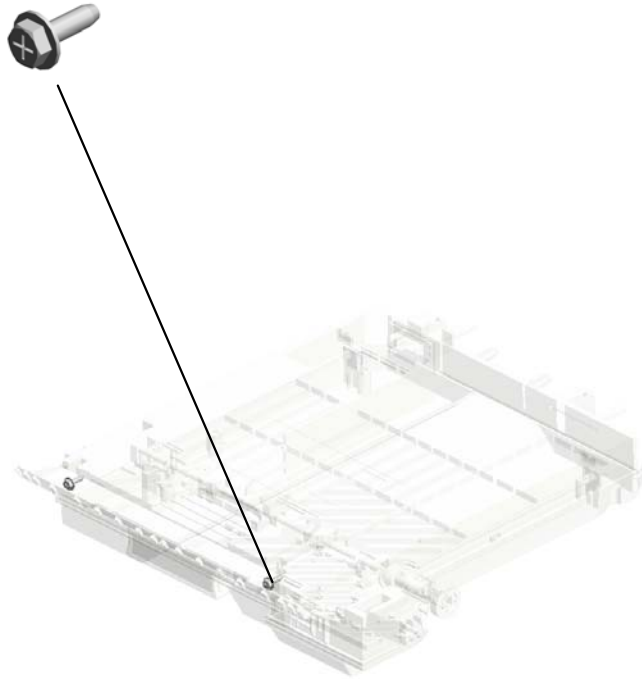
U007
USED TONER



U001	U002	U003	U004	U005	U006	U007	U008	U009	U010	U011	U012	U013	U014
------	------	------	------	------	------	------	------	------	------	------	------	------	------

U007_S001
TONER RECYCLING SECTION

1-04503010N
(x2)
TAPPING SCREW -
M3X10

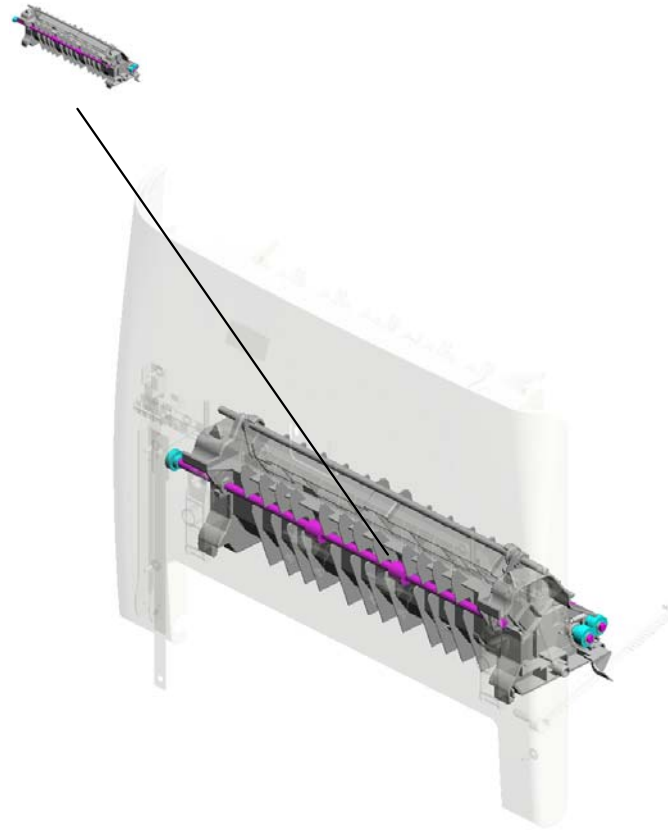


2-M0AR0640
TONER RECYCLIN
G SECTION

U001	U002	U003	U004	U005	U006	U007	U008	U009	U010	U011	U012	U013	U014
------	------	------	------	------	------	------	------	------	------	------	------	------	------

U008.PAPER TRANSPORT

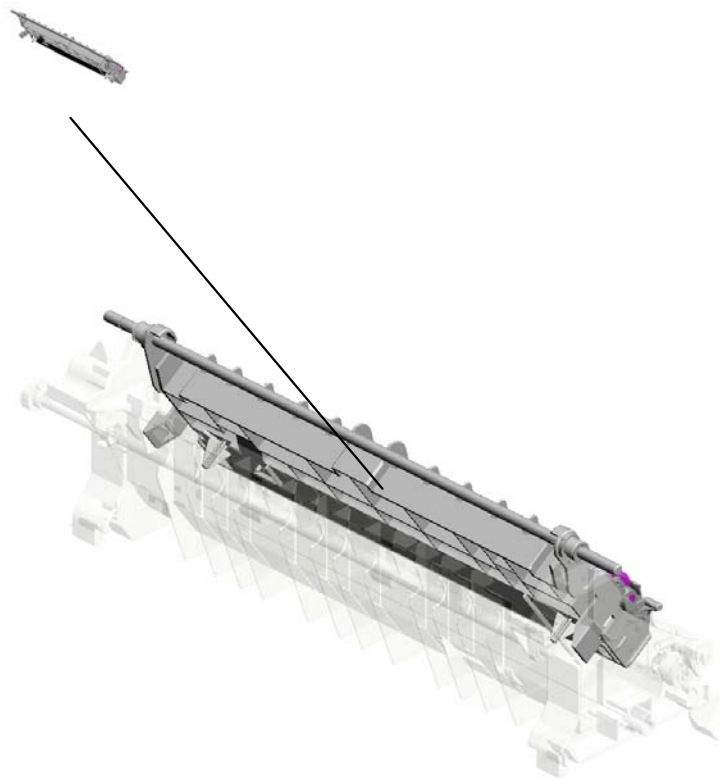
U008 S001
M0CS3802
HOUSING:TRANSPORT SUB-
UNIT:ASS'Y



U001	U002	U003	U004	U005	U006	U007	U008	U009	U010	U011	U012	U013	U014
------	------	------	------	------	------	------	------	------	------	------	------	------	------

U008_S001.HOUSING:TRANSPORT SUB-UNIT:ASS'Y

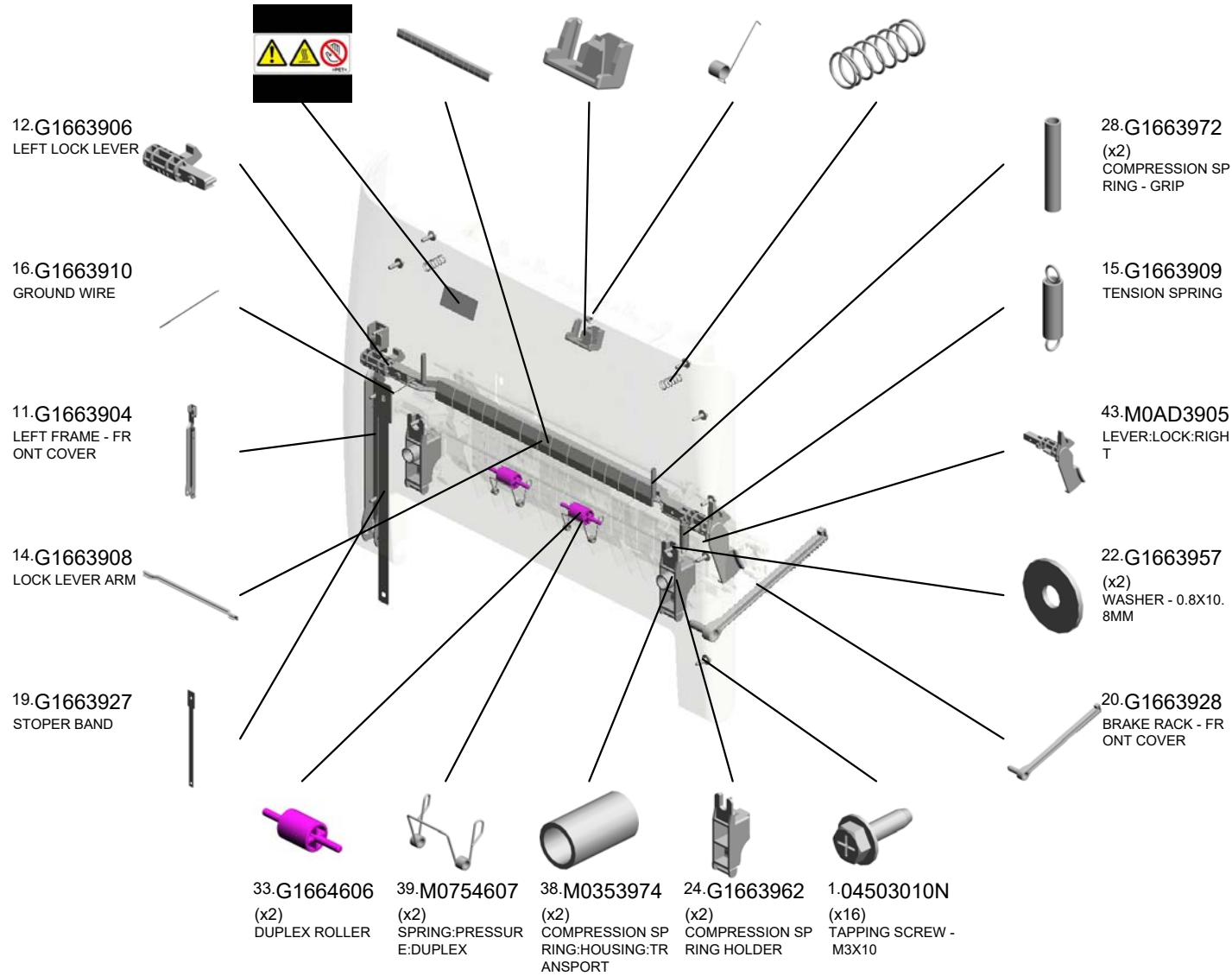
U008 S001 S001
M0CS6202
TRANSFER ROLLER:SUB-AS
S'Y



U001	U002	U003	U004	U005	U006	U007	U008	U009	U010	U011	U012	U013	U014
------	------	------	------	------	------	------	-------------	------	------	------	------	------	------

U008 PAPER TRANSPORT

- 32.G1664310 DECAL:WARNING (HIGH TEMPERATURE):1:CUD
- 13.G1663907 LOCK GUIDE
- 21.G1663933 STOPPER:FEELER :PAPER FEELER SOR
- 18.G1663925 TORSION SPRING - FEELER
- 17.G1663921 (x2) GUIDE PLATE SPRING - MIDDLE



U001	U002	U003	U004	U005	U006	U007	U008	U009	U010	U011	U012	U013	U014
------	------	------	------	------	------	------	------	------	------	------	------	------	------

U008 PAPER TRANSPORT

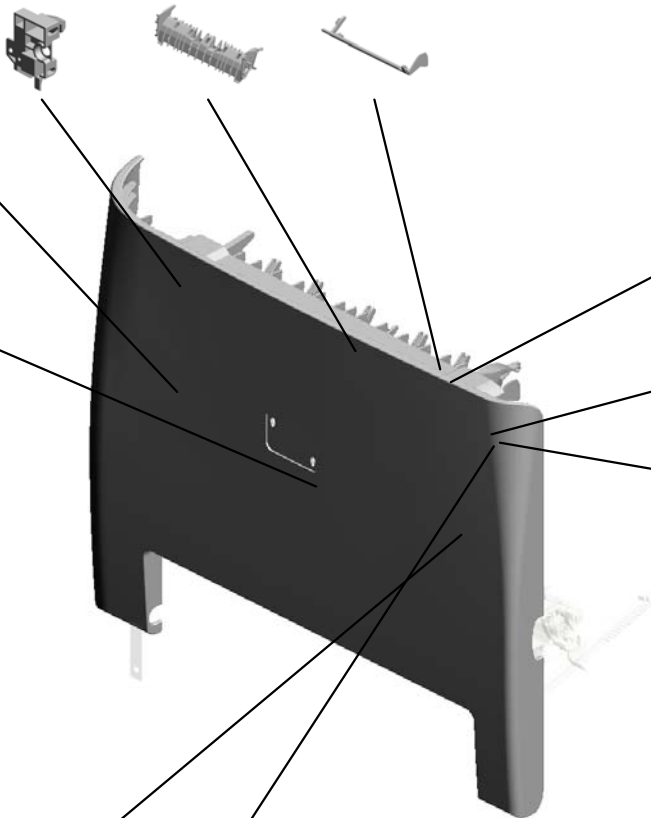
47.M0CS3912 51.M0CS3923 52.M0CS3924
 HOLDER:GUIDE PLATE:REVERSE:LEFT
 GUIDE PLATE:EXIT:MIDDLE
 FEELER:PAPER FEELER SENSOR



54.M0CS3970
 HOOK:FIX:TRANSFER/SEPARATION:LEFT



46.M0CS3903
 COVER:FRONT



53.M0CS3934
 (x5)
 GUIDE:GATE:REVERSE



48.M0CS3913
 HOLDER:GUIDE PLATE:REVERSE:RIGHT



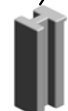
50.M0CS3919
 (x2)
 CUSHION:SLIDER:LEVER



55.M0CS3971
 HOOK:FIX:TRANSFER/SEPARATION:RIGHT



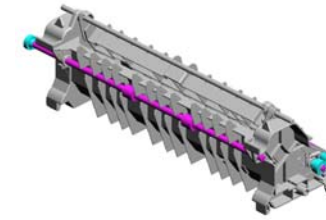
49.M0CS3918
 (x2)
 SLIDER:HOLDER:CUSHION



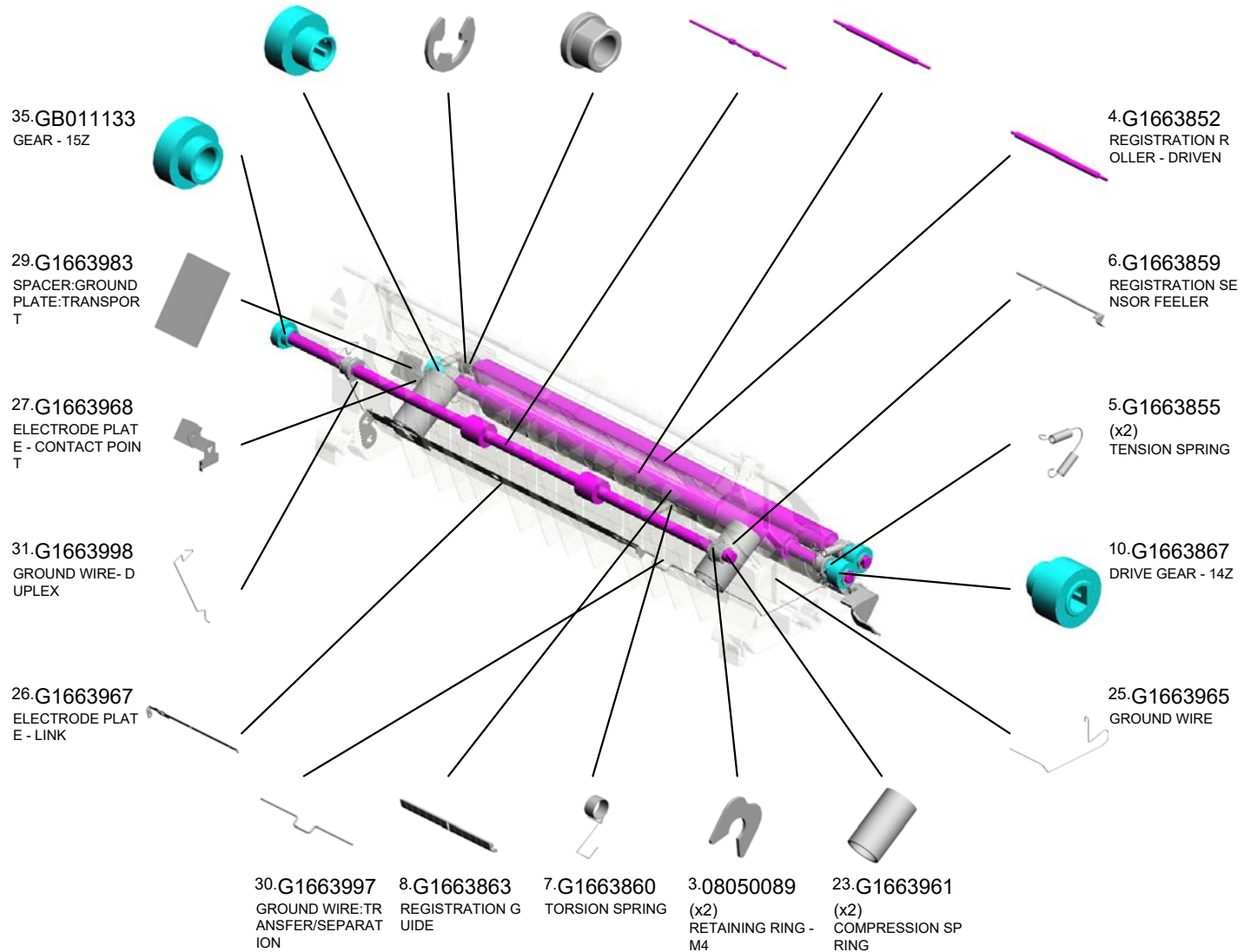
U008_S001

HOUSING:TRANSPORT SUB-UNIT:ASS'Y

- 9.G1663865 (x2) GEAR - 14Z
- 2.07200040E (x5) RETAINING RING - M4
- 34.GA082015 (x6) PLAIN SHAFT BEARING: DIA6: DIA9: 7
- 36.GF020073 TRANSPORT ROLLER: DUPLEX
- 37.GF020074 REGISTRATION ROLLER: DRIVE



44.M0CS3802
HOUSING:TRANSPORT SUB-UNIT:ASS'Y



U001	U002	U003	U004	U005	U006	U007	U008	U009	U010	U011	U012	U013	U014
------	------	------	------	------	------	------	------	------	------	------	------	------	------

U008_S001
HOUSING:TRANSPORT SUB-UNIT:ASS'Y

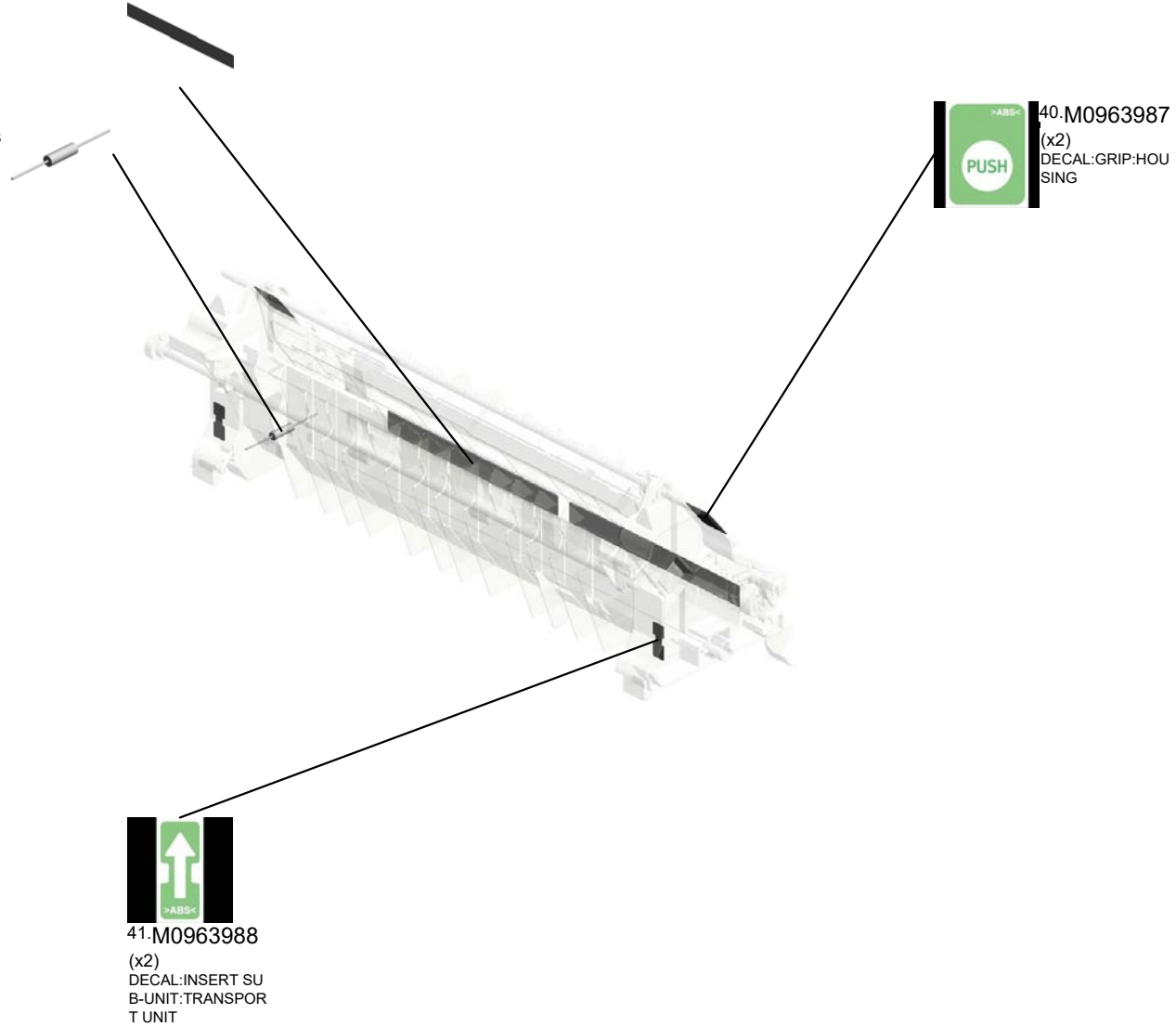
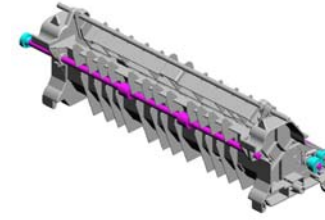
45.M0CS3862
(x2)
SHEET:REGISTRATION:T0.075

42.M0963989
RESISTOR:TRANSFER/SEPARATION

40.M0963987
(x2)
DECAL:GRIP:HOUSING

41.M0963988
(x2)
DECAL:INSERT SUB-UNIT:TRANSPORT UNIT

44.M0CS3802
HOUSING:TRANSPORT SUB-UNIT:ASS'Y



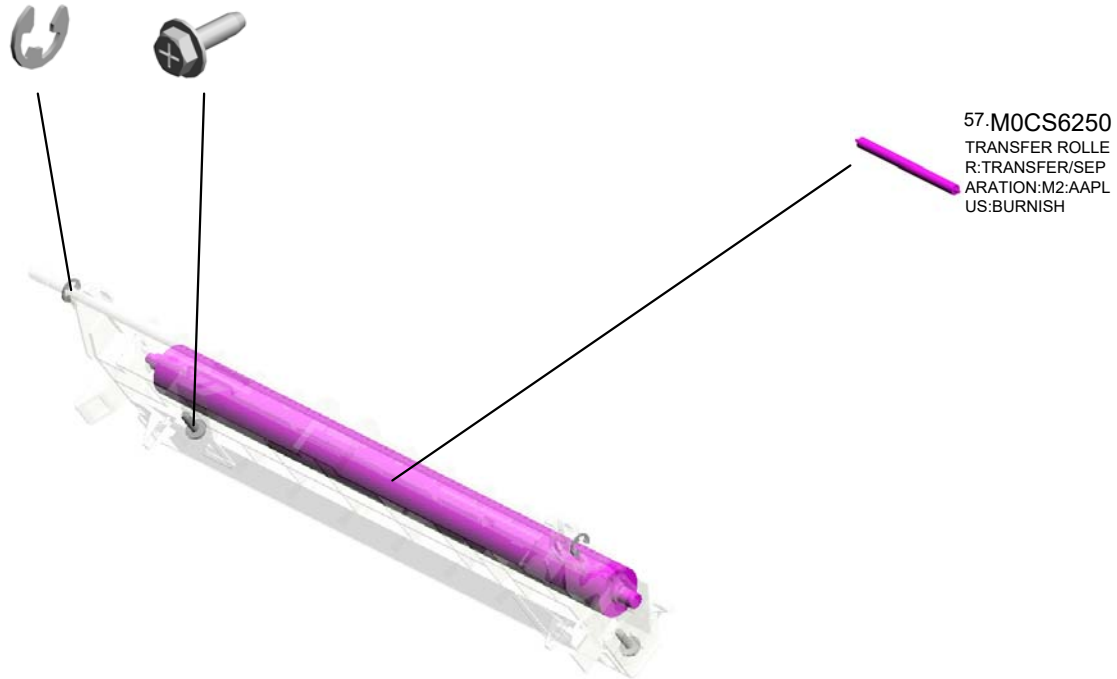
U001	U002	U003	U004	U005	U006	U007	U008	U009	U010	U011	U012	U013	U014
------	------	------	------	------	------	------	------	------	------	------	------	------	------

U008_S001_S001
TRANSFER ROLLER:SUB-ASS'Y

2.07200040E 1.04503010N
(x2) (x2)
RETAINING RING - TAPPING SCREW -
M4 M3X10



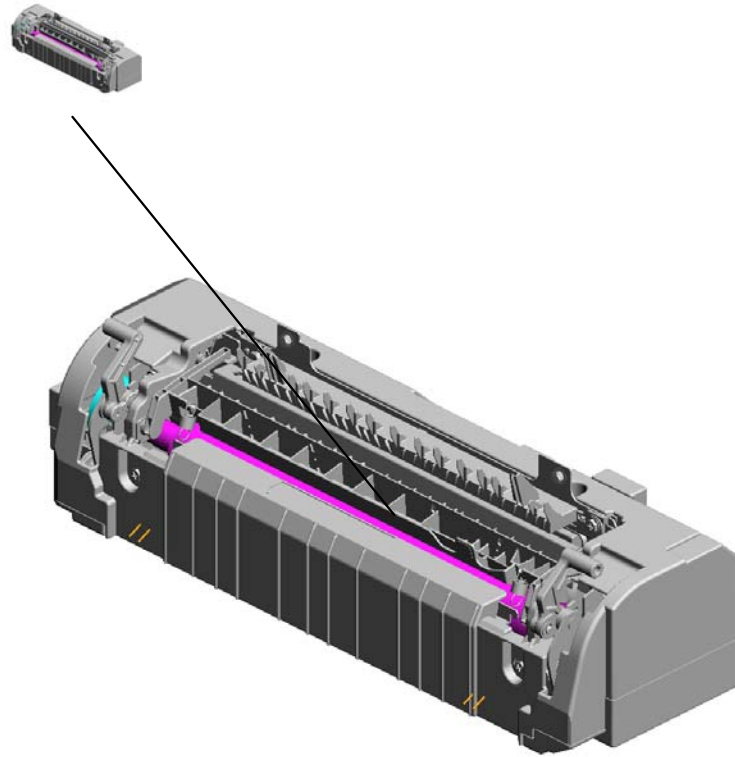
56.M0CS6202
TRANSFER ROLLE
R:SUB-ASS'Y



U001	U002	U003	U004	U005	U006	U007	U008	U009	U010	U011	U012	U013	U014
------	------	------	------	------	------	------	------	------	------	------	------	------	------

U009.FUSING

U009 S001
M0CS4012
(EU/AA/CHN):FUSING UNIT:S
ERVICE PARTS

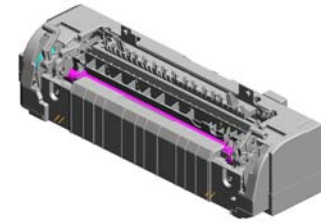


U001	U002	U003	U004	U005	U006	U007	U008	U009	U010	U011	U012	U013	U014
------	------	------	------	------	------	------	------	------	------	------	------	------	------

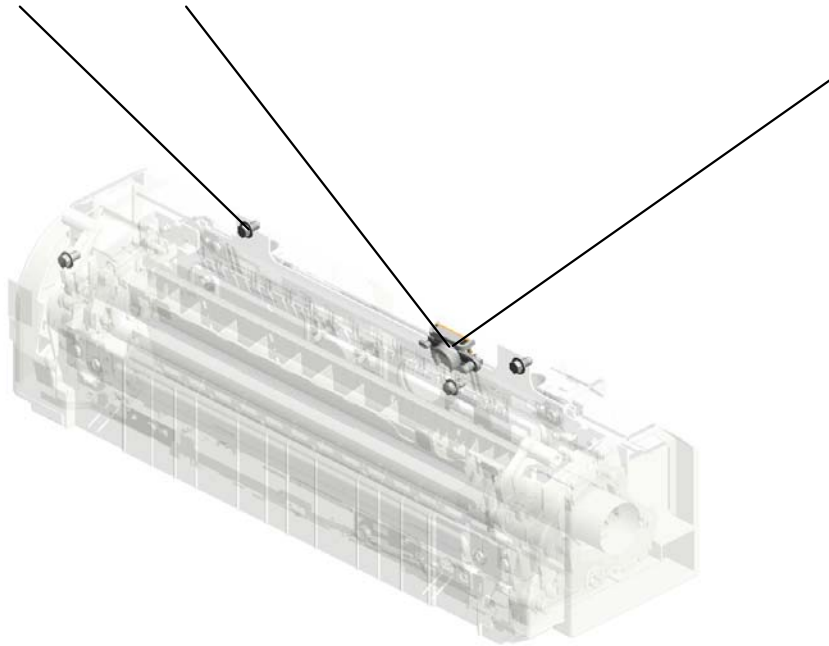
U009
FUSING

5.08046123
(x5)
HEXAGONAL BOLT
:W/WASHER:M3X8

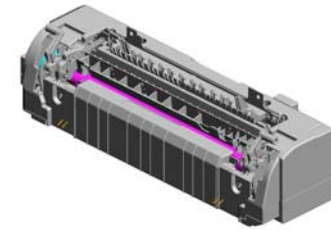
16.D1054365
HOLDER:THERMO
PILE



11.AW100183
THERMOPILE:(TH2
)



U009_S001
(EU/AA/CHN):FUSING UNIT:SERVICE PARTS



26.M0CS4012
(EU/AA/CHN):FUSING UNIT:SERVICE PARTS

2.07200030E (x4) RETAINING RING - M3
 1.03603006N (x19) SCREW - M3X6
 5.08046123 (x5) HEXAGONAL BOLT :WASHER:M3X8
 15.D1054303 ELECTRODE PLATE:FUSING:NEUTRAL
 12.AW110101 THERMOSTAT:LOWER:(TH1)

4.07270080E (x2) RETAINING RING - M8

21.GB013090 GEAR:PRESSURE ROLLER:Z29

22.GB013143 GEAR:IDLER:Z18

8.09573012N (x3) SCREW - M3X12

13.BW100147 THERMISTOR:PRESSURE:(TH4)

10.AW010143 PHOTO REFLECTIVE SENSOR:PSR11 TL1R-C:(S2)

6.08046128 (x2) HEXAGONAL BOLT :DOUBLE SCREW: M3X10

18.D1964127 RESISTOR:FUSING SUB-UNIT

20.G1634216 (x4) SHAFT:GUIDE:PAPER

9.AA143861 SCREW - DIA5

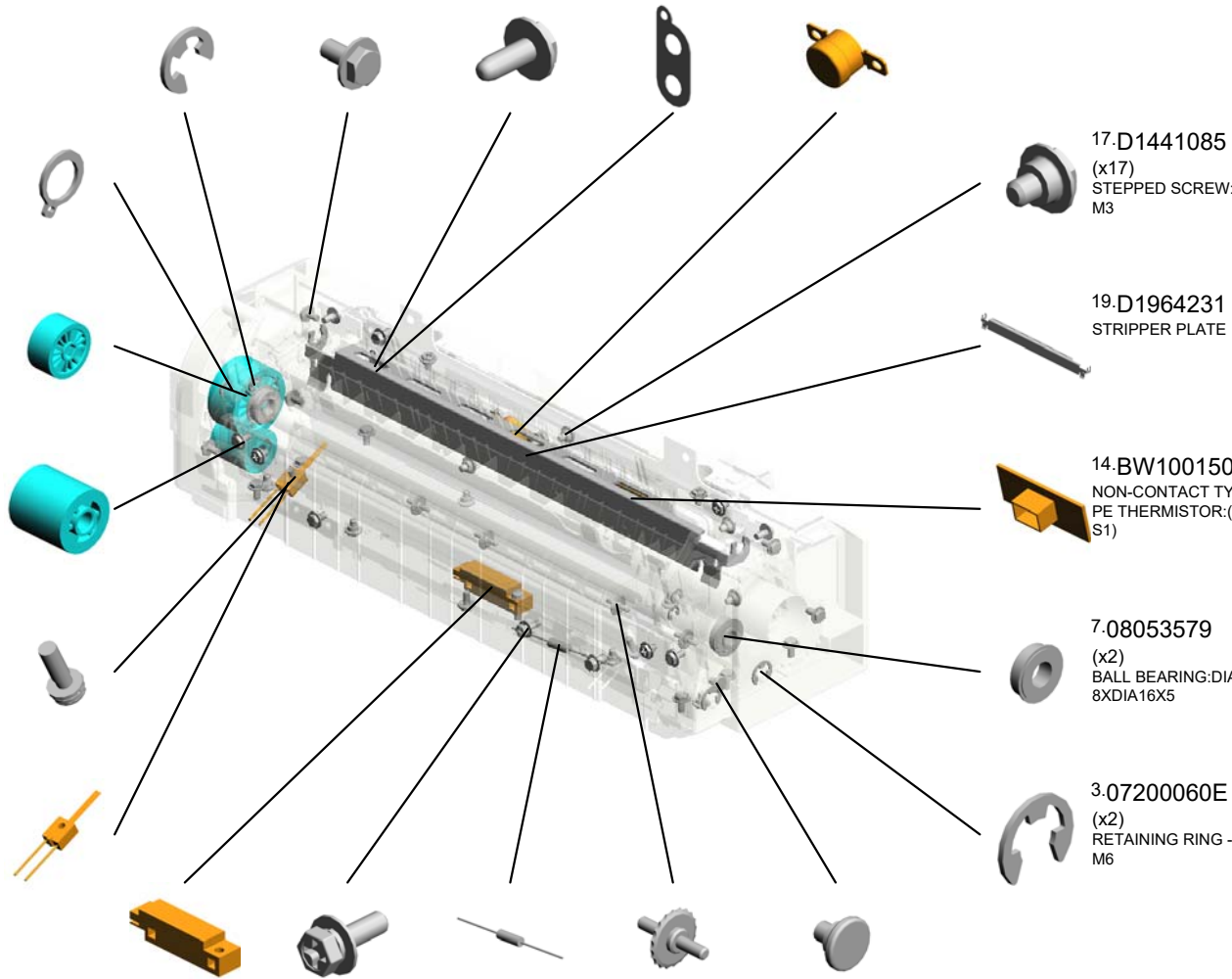
17.D1441085 (x17) STEPPED SCREW: M3

19.D1964231 STRIPPER PLATE

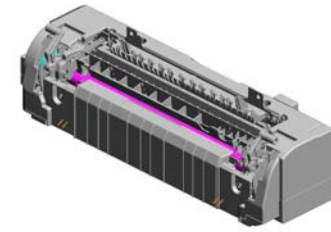
14.BW100150 NON-CONTACT TYPE THERMISTOR:(S1)

7.08053579 (x2) BALL BEARING:DIA 8XDIA16X5

3.07200060E (x2) RETAINING RING - M6



U009_S001
(EU/AA/CHN):FUSING UNIT:SERVICE PARTS



26.M0CS4012
(EU/AA/CHN):FUSING UNIT:SERVICE PARTS

35.M0CS4302 TORSION SPRING: STRIPPER PLATE: LEFT
 40.M0CS4313 GUIDE PLATE:EXIT :PRESSURE
 42.M0CS4322 FUSING COVER:UPPER
 27.M0CS4042 (EU/AA/CHN):SLEEVE:FUSING:SERVICE PARTS
 39.M0CS4309 GUIDE PLATE:EXIT :FUSING

37.M0CS4304 COLLAR:STRIPPER PLATE:LEFT

30.M0CS4262 SIDE PLATE:GEAR: LEFT

29.M0CS4261 STAY:GEAR

23.GB013144 GEAR:DRIVE:Z19

24.GE020019 PRESSURE ROLLER:DIA25

31.M0CS4281 FUSING ENTRANCE GUIDE PLATE:UPPER
 32.M0CS4282 FUSING ENTRANCE GUIDE PLATE:LOWER
 33.M0CS4284 FUSING ENTRANCE GUIDE PLATE:OPPOSED
 25.GW100026 THERMISTOR:PRESSURE:MIDDLE:(T H3)
 28.M0CS4237 DISCHARGE BRUSH:BRACKET:THERMISTOR:PRESSURE

43.M0CS4332 FUSING COVER:LOWER

36.M0CS4303 TORSION SPRING: STRIPPER PLATE: RIGHT

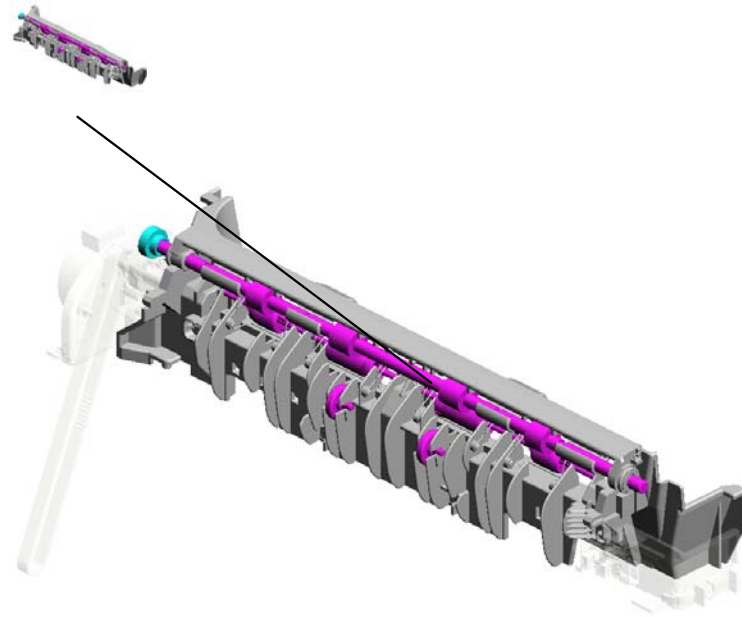
34.M0CS4285 SHEET:OPPOSED: REFLECTION PHOTO SENSOR

38.M0CS4305 COLLAR:STRIPPER PLATE:RIGHT

41.M0CS4314 (x2) COIL SPRING:GUIDE PLATE:FUSING EXIT

U010.PAPER EXIT

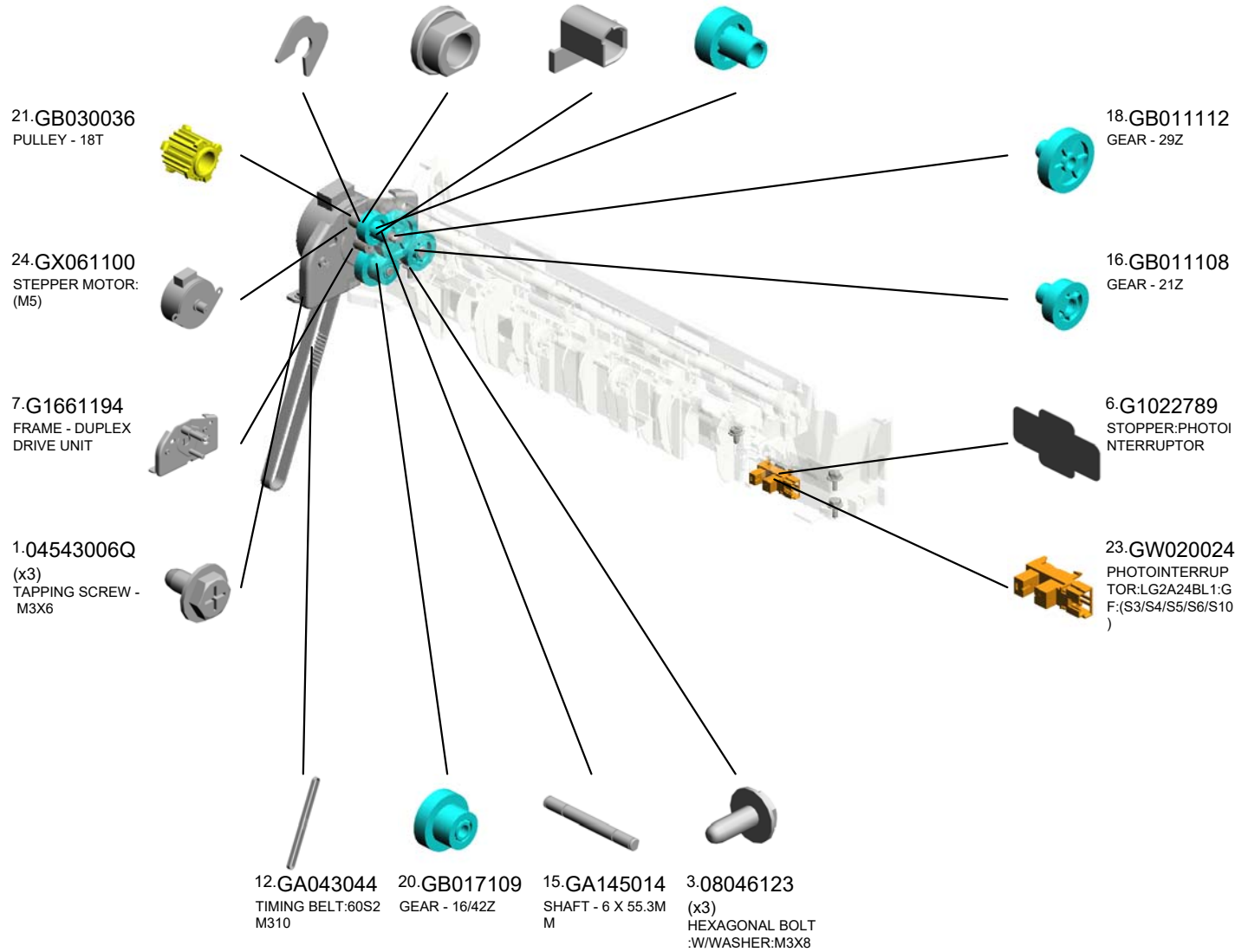
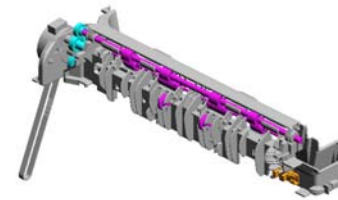
U010 S001
M0CS4450
GUIDE.EXIT.ASSY



U001	U002	U003	U004	U005	U006	U007	U008	U009	U010	U011	U012	U013	U014
------	------	------	------	------	------	------	------	------	------	------	------	------	------

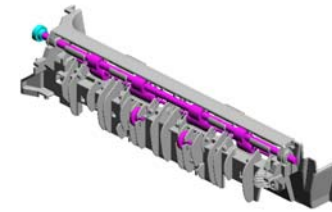
U010 PAPER EXIT

- 4.08050089 RETAINING RING - M4
- 5.AA082101 (x2) BUSHING - 6X10X6
- 11.G1665745 HARNESS COVER
- 17.GB011111 GEAR - 19Z



U001	U002	U003	U004	U005	U006	U007	U008	U009	U010	U011	U012	U013	U014
------	------	------	------	------	------	------	------	------	------	------	------	------	------

U010_S001
GUIDE:EXIT:ASS'Y



32.M0CS4450
GUIDE:EXIT:ASS'Y

30.M0964458 (x2) SPRING:PRESSUR
E:EXIT:INNER
9.G1664457 (x2) DRIVEN ROLLER -
EXIT
22.GF020061 EXIT ROLLER
14.GA120011 DISCHARGE BRUS
H EXIT

2.07200040E
RETAINING RING -
M4

19.GB011133
GEAR - 15Z

26.M0184464
(x2)
GUIDE:PLATE:EXIT
:OUTER

31.M0964460
(x2)
SPRING:PRESSUR
E:EXIT:OUTER

8.G1664456
(x2)
GUIDE ROLLER - E
XIT

27.M0963994
RESISTOR:EARTH:
EXIT:DISCHARGE
SECTION

29.M0964456
GROUND PLATE:E
XIT:2

28.M0964455
GROUND PLATE:E
XIT:1

10.G1664463
(x2)
EXIT GUIDE PLATE

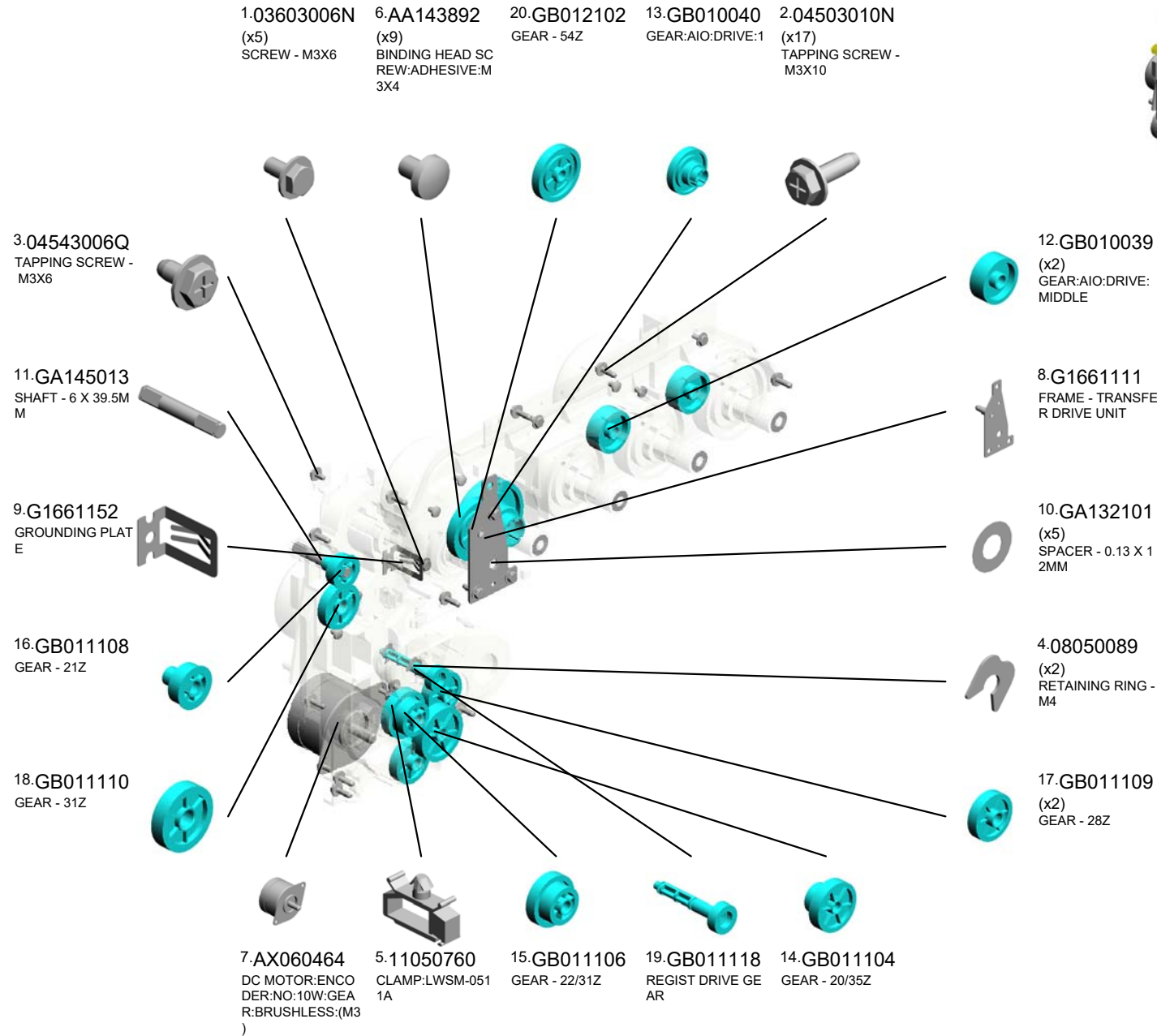
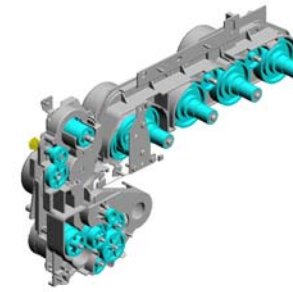
25.M0184459
(x2)
ROLLER:DRIVEN:E
XIT:OUTER

13.GA082014
(x2)
PLAIN SHAFT BEA
RING:DIA6:DIA10:9

4.08050089
(x2)
RETAINING RING -
M4

U001	U002	U003	U004	U005	U006	U007	U008	U009	U010	U011	U012	U013	U014
------	------	------	------	------	------	------	------	------	------	------	------	------	------

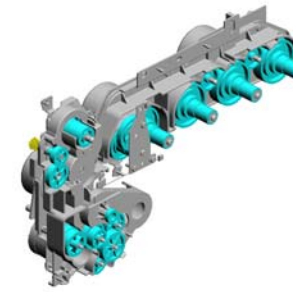
U011 MAIN DRIVE



U001	U002	U003	U004	U005	U006	U007	U008	U009	U010	U011	U012	U013	U014
------	------	------	------	------	------	------	------	------	------	------	------	------	------

U011 MAIN DRIVE

- 26.GB018888 GEAR:SLOW DOW
N:FUSING:NO.3
- 27.GB018889 GEAR:SLOW DOW
N:FUSING:NO.2
- 30.GX061160 BRUSHLESS MOT
OR:DC24V:27W:(M
2)
- 23.GB017124 GEAR:TRANSFER:
DRIVE:MIDDLE
- 29.GX061146 BRUSHLESS MOT
OR:DC24V:46W:(M
1)



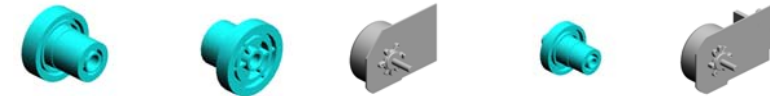
28.GB030036
PULLEY - 18T



25.GB018887
GEAR:SLOW DOW
N:FUSING:NO.1



31.GX061161
BRUSHLESS MOT
OR:DC24V:22W:(M
4)



34.M0751107
SHIELDING PLATE:
GEAR:2



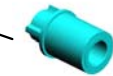
33.M0751105
BRACKET:MOTOR



22.GB017123
(x3)
GEAR:AIO:DRIVE



21.GB017120
GEAR:AIO:JOINT:2



24.GB018886
GEAR:IDLER:PAPPE
R FEED:1



35.M0CS1156
HOUSING:TRANSP
ORT:GEAR



32.GX201123
MAGNETIC CLUTC
H:0.25N:(CL1/CL2)

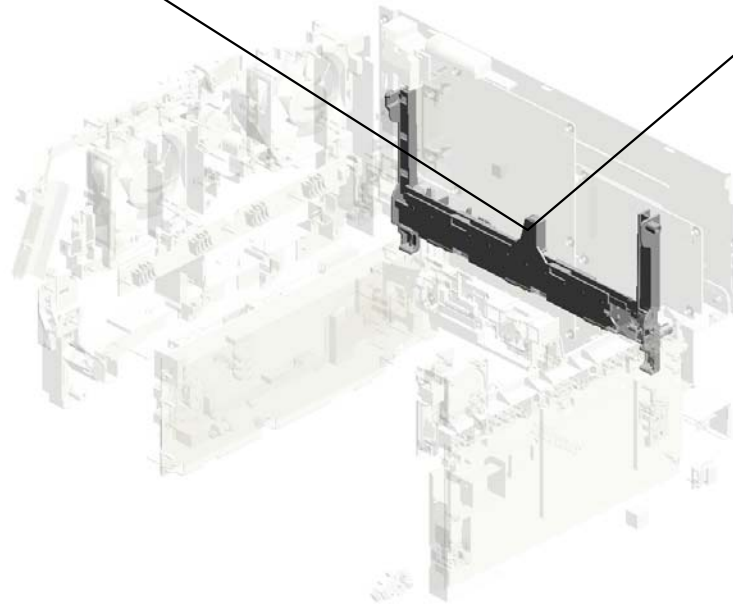


U012.ELECTRICAL

U012_S001
M0CS6002
DENSITY SENSOR:ASS'Y:(S8
)

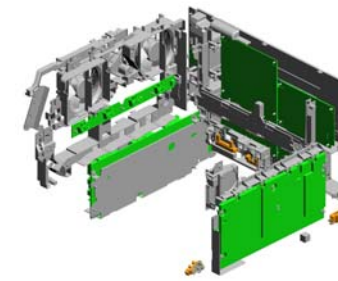


U012_S002
M0CS6002
DENSITY SENSOR:ASS'Y:(S8
)



U001	U002	U003	U004	U005	U006	U007	U008	U009	U010	U011	U012	U013	U014
------	------	------	------	------	------	------	------	------	------	------	------	------	------

U012 ELECTRICAL



- 12.11050758 (x2) CLAMP:LWSM-030 6A
- 21.AX640199 (x4) FAN:MM80:25MM:D C 2.16W:(FAN1/FA N2)
- 10.11050692 (x2) CLAMP:LES-0503
- 13.11050762 (x4) CLAMP:LWS-0711A
- 16.14077677 (x2) EEPROM:BR24T64-W

- 15.12042612 (x6) MICRO SWITCH:D3 V-16506-3C25:(SW 1/SW2/SW3)

- 7.04543008Q (x8) TAPPING SCREW: 3X8

- 8.08046123 (x16) HEXAGONAL BOLT :W/WASHER:M3X8

- 19.AA143592 (x2) SCREW- M4X6

- 23.D2583910 (x2) FAN:MM60X15:(FA N3)

- 25.G1631068 (x4) BRACKET - PHOTO INTERRUPTOR
- 5.04503020N (x2) TAPPING SCREW: M3X20
- 22.AX640244 (x2) DC FAN MOTOR:M M40:10MM:1.1W:(F AN4)
- 24.G1022789 (x2) STOPPER:PHOTOI NTERRUPTOR
- 4.04503010N (x76) TAPPING SCREW - M3X10

- 6.04543006Q (x34) TAPPING SCREW - M3X6

- 17.14078609 (x2) INTERFACE IC:WL- 8811CU-V2

- 2.03530040N (x2) SCREW - M3X4

- 3.03603006N (x30) SCREW - M3X6

- 20.AW140015 (x2) TEMPERATURE & HUMIDITY SENSO R:(S7)

- 11.11050724 (x2) CLAMPS:WES-121 0

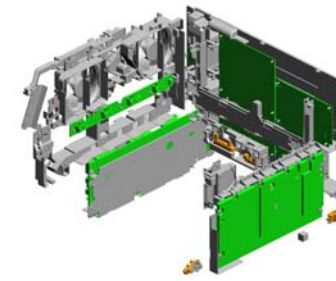
- 12.11050758 (x2) CLAMP:LWSM-030 6A

- 13.11050762 (x10) CLAMP:LWS-0711A

- 14.11050789 (x2) CLAMP:LBWS-0511 S-V03.5

U012 ELECTRICAL

- 36.G1665754 (x2) ARM:LINK:SAFETY SWITCH
- 26.G1635728 (x8) SEAL:FAN:2
- 40.G1666107 (x2) GROUNDING PLATE
- 29.G1665725 (x2) HARNESS COVER
- 49.G1666584 (x2) USED TONER SENSOR(S9)



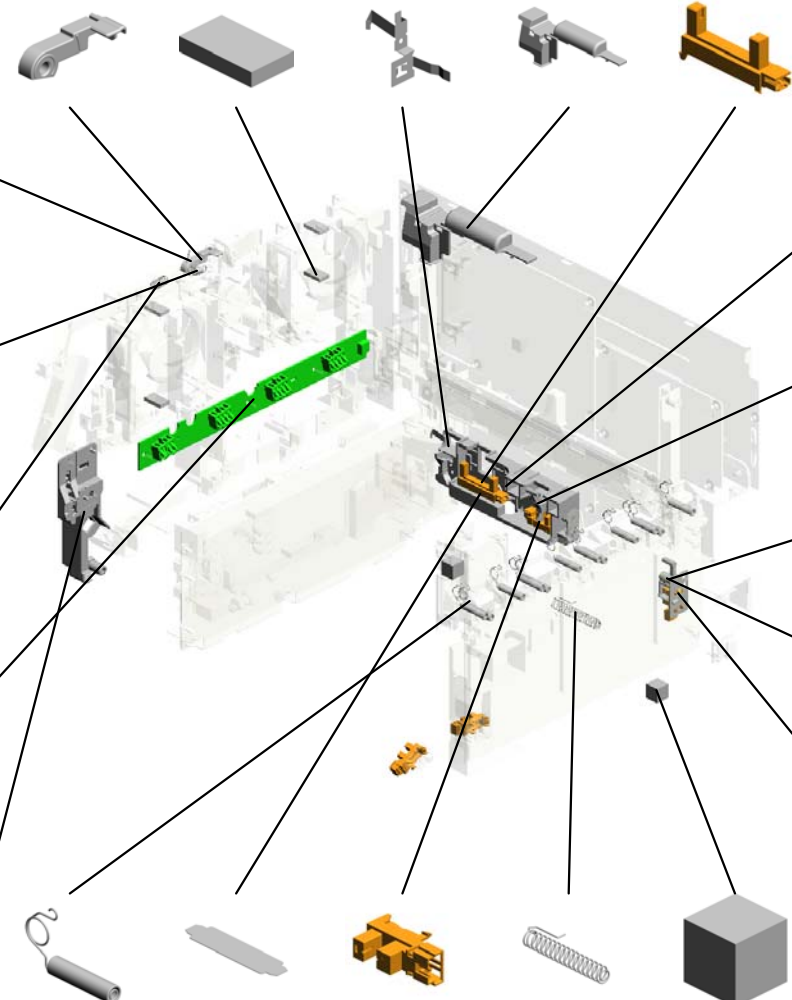
31.G1665734
(x2)
TORSION SPRING - SAFETY SWITCH

32.G1665736
(x2)
TENSION SPRING - SAFETY SWITCH

33.G1665737
(x2)
COMPRESSION SPRING - SAFETY SWITCH

27.G1665280
(x2)
TERMINAL BOARD: (PCB6)

35.G1665751
(x2)
CONNECTOR HOLDER - FUSING



51.G1666587
(x2)
SENSOR BRACKET

50.G1666586
(x2)
FEELER - SET SENSOR

37.G1666045
(x2)
SPRING - FEELER

38.G1666046
(x2)
SENSOR FEELER

39.G1666103
(x2)
SENSOR HOLDER

28.G1665716
(x24)
TERMINAL:AIO

48.G1666580
(x2)
STOPPER SHEET - PHOTOINTERRUPTOR

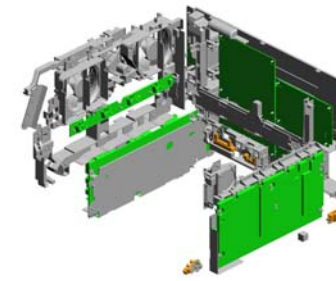
52.GW020024
(x8)
PHOTOINTERRUPTOR:LG2A24BL1:GF:(S3/S4/S5/S6/S10)

34.G1665738
(x2)
1ST TERMINAL - TRANSFER

30.G1665726
(x4)
CUSHION - HARNESS

U012 ELECTRICAL

67.M0CS5732 (x2) BASE:SAFETY SWITCH
 68.M0CS5734 (x2) LINK:SAFETY SWITCH
 57.M0CS1089 (x2) DUCT:LSU
 60.M0CS1112 (x2) COVER:HARNESS SEPARATION
 63.M0CS5191 (x2) (EU/AA/CHN);PCB:ACVB:200V

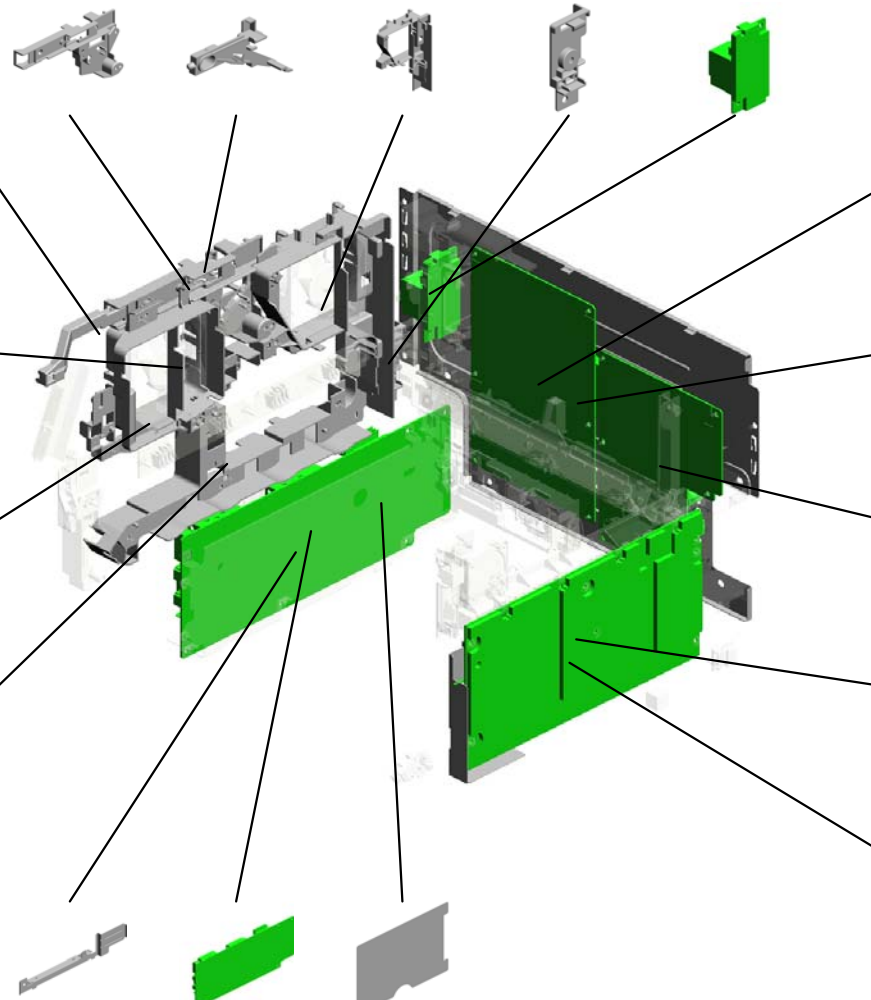


69.M0CS5748 (x2) LEVER:SAFETY SWITCH

56.M0CS1088 (x2) DUCT:EXIT

59.M0CS1111 (x2) GUIDE:HARNESS-FUSING

61.M0CS1116 (x2) GUIDE:HARNESS



62.M0CS5012 (x2) PCB:EGB:ASSY:(PCB1)

58.M0CS1094 (x2) COVER:CONTROL SECTION

64.M0CS5660 (x2) PCB:CTL:ASSY:(PCB2)

54.GZ320015 (x2) POWER PACK:CDVT1T2:(PCB3)

55.M0CS1071 (x2) SHEET:HIGH VOLT EGE CONTROL:BASE

65.M0CS5712 (x2) SHADING PLATE:HARNESS:POWER SUPPLY UNIT
 53.GZ230106 (x2) (EU/AA/CHN);POWER SUPPLY UNIT
 66.M0CS5713 (x2) SHEET:INSULATE:POWER SUPPLY UNIT

U012_S001
 DENSITY SENSOR:ASS'Y:(S8)

9.09543006N (x3) SCREW - M3X6
 44.G1666184 HOLDER - DENSITY SENSOR
 47.G1666191 CLEANER DECAL - DENSITY SENSOR



70.M0CS6002
 DENSITY SENSOR:
 ASS'Y:(S8)



42.G1666182
 COMPRESSION SPRING - LEFT LOWER

1.03130040N
 (x3)
 SCREW:M3X4

45.G1666185
 GROUNDING PLATE - DENSITY SENSOR

18.AA063568
 PRESSURE SPRING

41.G1666181
 COMPRESSION SPRING - RIGHT LOWER

46.G1666188
 CLEANER - DENSITY SENSOR

43.G1666183
 BRACKET - DENSITY SENSOR

U001	U002	U003	U004	U005	U006	U007	U008	U009	U010	U011	U012	U013	U014
------	------	------	------	------	------	------	------	------	------	------	------	------	------

U012_S002
 DENSITY SENSOR:ASS'Y:(S8)

9.09543006N (x3) SCREW - M3X6
 44.G1666184 HOLDER - DENSITY SENSOR
 47.G1666191 CLEANER DECAL - DENSITY SENSOR



70.M0CS6002
 DENSITY SENSOR:
 ASS'Y:(S8)



42.G1666182
 COMPRESSION SPRING - LEFT LOWER

1.03130040N
 (x3)
 SCREW:M3X4

45.G1666185
 GROUNDING PLATE - DENSITY SENSOR

18.AA063568
 PRESSURE SPRING

41.G1666181
 COMPRESSION SPRING - RIGHT LOWER

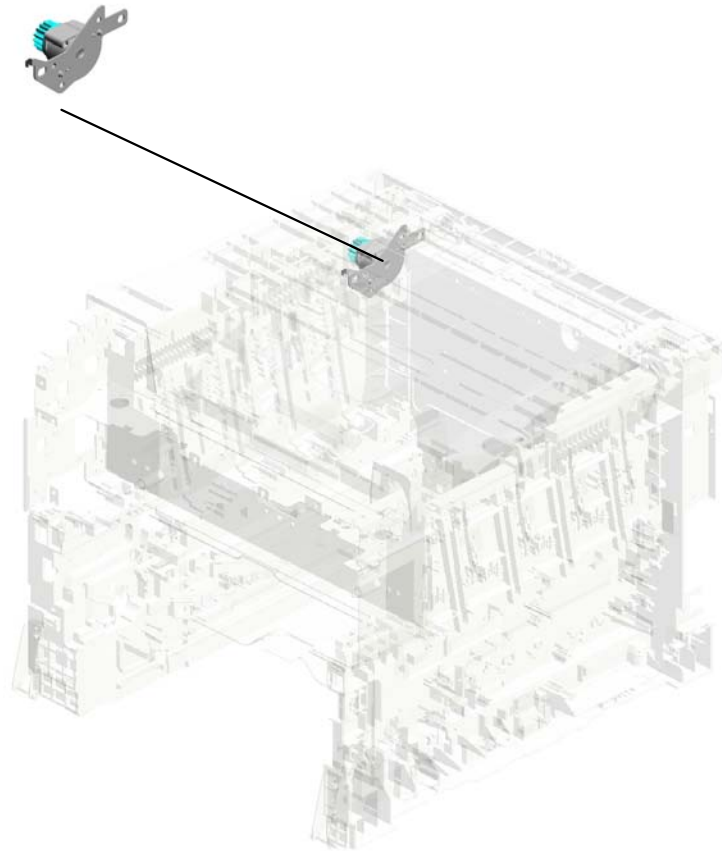
46.G1666188
 CLEANER - DENSITY SENSOR

43.G1666183
 BRACKET - DENSITY SENSOR

U001	U002	U003	U004	U005	U006	U007	U008	U009	U010	U011	U012	U013	U014
------	------	------	------	------	------	------	------	------	------	------	------	------	------

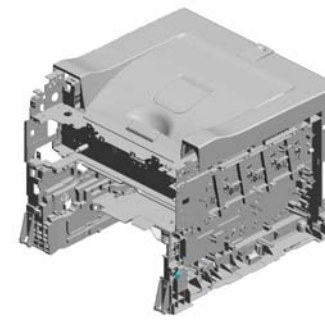
U013.MAIN FRAME

U013 S001
G1661240
BRAKE:COVER:UPPER



U001	U002	U003	U004	U005	U006	U007	U008	U009	U010	U011	U012	U013	U014
------	------	------	------	------	------	------	------	------	------	------	------	------	------

U013 MAIN FRAME



- 8.07200040E (x3) RETAINING RING - M4
- 11.11050760 CLAMP:LWSM-051 1A
- 13.G1661046 COLOR DECAL - M AGENTA
- 9.07200060E (x4) RETAINING RING - M6
- 3.04503016N (x2) TAPPING SCREW: 3X16



10.08046123
HEXAGONAL BOLT
:W/WASHER:M3X8



16.G1661060
(x2)
BASE:HINGE:COVER:FRONT



17.G1661061
(x2)
PIN:HINGE



20.G1661066
CLUTCH/BRAKE CASE



19.G1661065
CLUTCH SPRING



18.G1661064
CLUTCH/BRAKE SPRING



12.G1661008
CLUTCH/BRAKE BRACKET



21.G1661067
GEAR - 14Z



5.04543006Q
(x7)
TAPPING SCREW - M3X6



6.04543008Q
(x22)
TAPPING SCREW: 3X8



4.04504010N
(x17)
TAPPING SCREW: M4X10



1.03603006N
SCREW - M3X6



2.04503010N
(x34)
TAPPING SCREW - M3X10



14.G1661047
(x4)
SPACER- RUBBER FOOT



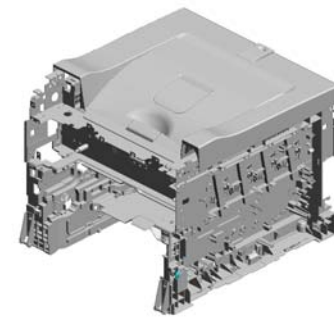
15.G1661048
(x4)
RUBBER FOOT



2.04503010N (x 8)
TAPPING SCREW - M3X10

7.07200030E (x 2)
RETAINING RING - M3

U013 MAIN FRAME



- 27.G1661078 (x2) COMPRESSION SPRING
- 32.G1661086 (x2) BRACKET:OPTICAL UNIT:FRAME:UPPER
- 23.G1661070 FRAME:UPPER LEFT
- 35.G1661089 (x8) PIN:PLATE:DEVELOPMENT UNIT
- 29.G1661081 TWIST SPRING - LEFT

- 33.G1661087 (x2) SPRING:CUSHION:FRAME:UPPER

- 25.G1661072 (x4) SPRING:PLATE:ALUMINUM

- 31.G1661084 (x4) SPRING:PLATE:ALUMINUM:BLACK

- 36.G1661090 GROUND PLATE - DCHIP

- 39.G1661096 GROUND PLATE - FRONT

- 41.G1661112 GEAR COVER
- 34.G1661088 UPPER FRONT DUCT
- 22.G1661069 RACK SUPPORTER
- 37.G1661093 GEAR - 20Z
- 38.G1661095 (x2) SHEET:BASE:FRAME

- 26.G1661073 SHAFT

- 28.G1661080 TWIST SPRING - RIGHT

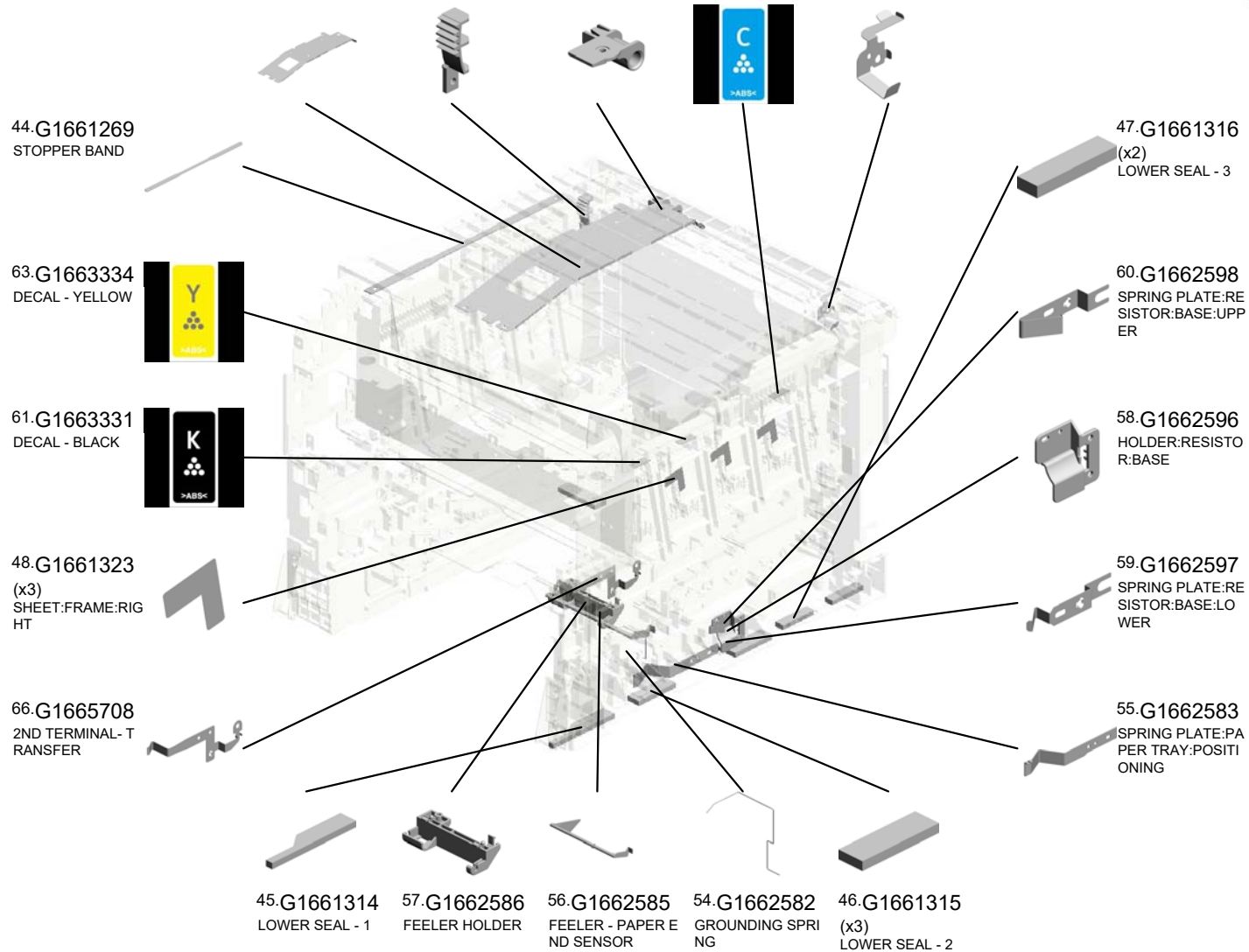
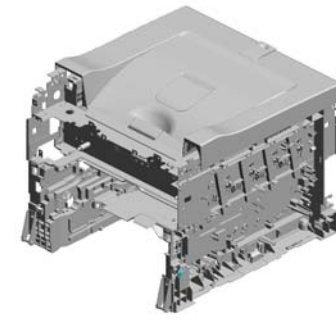
- 40.G1661097 GROUND PLATE - LEFT

- 24.G1661071 FRAME:UPPER RIGHT

- 30.G1661083 GROUNDING PLATE - HIGH VOLTAGE

U013 MAIN FRAME

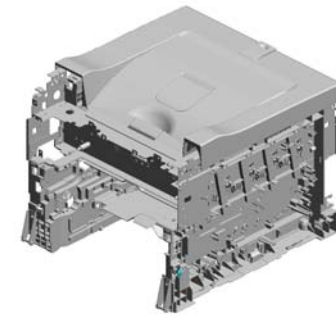
- 64.G1665705 SHIELDING PLATE
- 49.G1661342 RACK:DAMPER
- 67.G1665724 HARNESS CLAMP HOLDER
- 62.G1663333 DECAL - CYAN
- 65.G1665706 GROUND PLATE:SHAF
T:IMAGING UNIT



U001	U002	U003	U004	U005	U006	U007	U008	U009	U010	U011	U012	U013	U014
------	------	------	------	------	------	------	------	------	------	------	------	------	------

U013 MAIN FRAME

72.M0CS1012 SHAFT:LOCK:ASS'Y
 76.M0CS1260 SLOPE:COVER:UPPER:MOCS
 75.M0CS1250 COVER:UPPER
 74.M0CS1070 SHEET:FRAME:UPPER LEFT

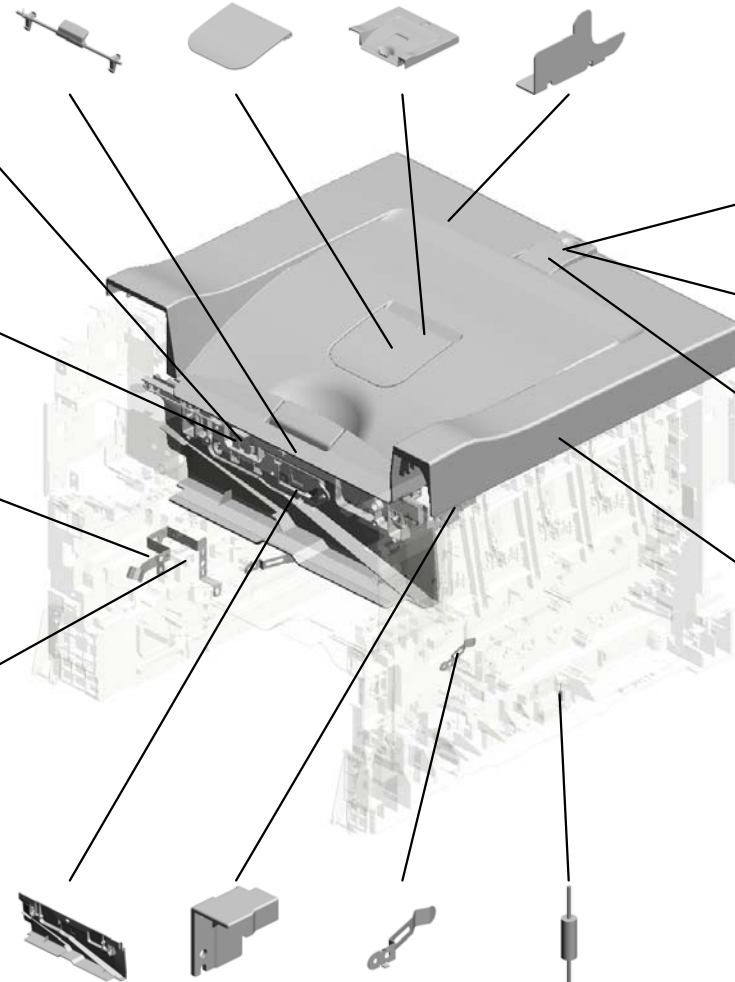


77.M0CS1343 KEY:FUSING

79.M0CS5823 GUIDE:HARNESS:TERMOPILE

70.M0965760 GROUND PLATE:REGISTRATION ROLLER

71.M0965761 GROUND PLATE:BASE:PSU



82.M0CX1286 END FENCE:EXIT:REAR:MOCX

80.M0CX1281 BASE:END FENCE:EXIT:MOCX

81.M0CX1284 END FENCE:EXIT:FRONT:MOCX

83.M1981085 SPRING PLATE:LSU:POSITIONING

73.M0CS1068 DUCT:FUSING

78.M0CS2589 HOLDER:PAPER TRAY:POSITIONING

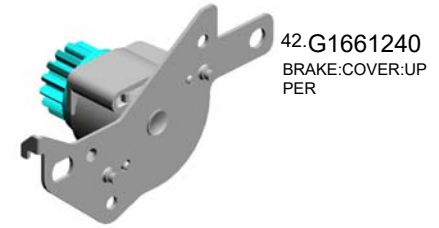
68.G1666592 (x2) SPRING PLATE -COLLECTION BOTTLE

69.M0963993 RESISTOR:EARTH:PAPER FEED

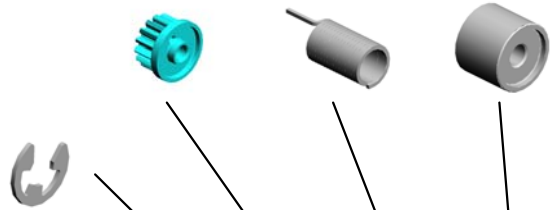
U001	U002	U003	U004	U005	U006	U007	U008	U009	U010	U011	U012	U013	U014
------	------	------	------	------	------	------	------	------	------	------	------	-------------	------

U013_S001
BRAKE:COVER:UPPER

51.G1661384 53.G1661387 50.G1661383
GEAR - 15Z CLUTCH SPRING BRAKE COLLER



8.07200040E
RETAINING RING -
M4



1.03603006N
(x2)
SCREW - M3X6



43.G1661241
BRAKE BRACKET



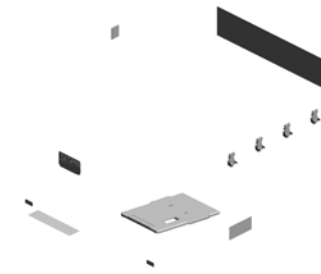
52.G1661386
BRAKE SPRING



U001	U002	U003	U004	U005	U006	U007	U008	U009	U010	U011	U012	U013	U014
------	------	------	------	------	------	------	------	------	------	------	------	------	------

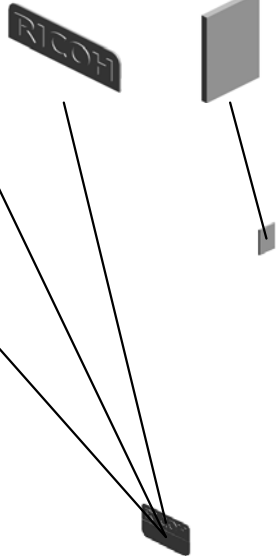
U014 ACCESSORIES

2.D0A41301 (x2)
PLATE:LOGO:RIC
4.G1661280 (x2)
CUSHION - IMAGIN
G UNIT



8.M0CS1381 (P C300W);PLATE:
NAME PLATE
P C300W

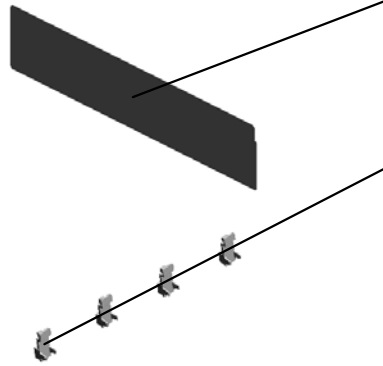
9.M0CW1381 (P C301W);PLATE:
NAME PLATE
P C301W



5.G1661390 (x2)
CAUTION DECAL -
TRANSFER BELT

1. 11500500 (x 2)
(EU/AA):POWER SUPPLY CORD:250V:
10A:BARCODE

3.G1661099 (x4)
(P C301W);KEY - AI
O



7.G1663996 (x4)
DECAL:INSERT SU
B-UNIT:COVER



6.G1662592 (x2)
SIDE FENCE DECA
L

U001	U002	U003	U004	U005	U006	U007	U008	U009	U010	U011	U012	U013	U014
------	------	------	------	------	------	------	------	------	------	------	------	------	------

Exclusive Parts

Number	Part Name	Group	ID
AA063568	PRESSURE SPRING	U012_S001	18
		U012_S002	18
AA082101	BUSHING - 6X10X6	U004	4
		U010	5
AA132013	SPACER	U004_S001	5
AA143592	SCREW- M4X6	U012	19
AA143861	SCREW - DIA5	U009_S001	9
AA143892	BINDING HEAD SCREW:ADHESIVE :M3X4	U011	6
AF031061	PAPER FEED ROLLER	U004	6
AW010143	PHOTO REFLECTION SENSOR:PS R11TL1R-C:(S2)	U009_S001	10
AW100183	THERMOPILE:(TH2)	U009	11
AW110101	THERMOSTAT:LOWER:(TH1)	U009_S001	12
AW140015	TEMPERATURE & HUMIDITY SENSOR:(S7)	U012	20
AX060464	DC MOTOR:ENCODER:NO:10W:GEAR:BRUSHLESS:(M3)	U011	7
AX640199	FAN:MM80:25MM:DC 2.16W:(FAN1/FAN2)	U012	21
AX640244	DC FAN MOTOR:MM40:10MM:1.1W:(FAN4)	U012	22
BW100147	THERMISTOR:PRESSURE:(TH4)	U009_S001	13
BW100150	NON-CONTACT TYPE THERMISTOR:(S1)	U009_S001	14
D0094511	SPACER:DIA8.0:1.5MM	U004_S001	7
D0A41301	PLATE:LOGO:RIC	U014	2
D1054303	ELECTRODE PLATE:FUSING:NEUTRAL	U009_S001	15
D1054365	HOLDER:THERMOPILE	U009	16
D1441085	STEPPED SCREW:M3	U009_S001	17
D1964127	RESISTOR:FUSING SUB-UNIT	U009_S001	18
D1964231	STRIPPER PLATE	U009_S001	19
D2583910	FAN:MM60X15:(FAN3)	U012	23
G1022789	STOPPER:PHOTOINTERRUPTOR	U010	6
		U012	24
G1631068	BRACKET - PHOTOINTERRUPTOR	U012	25
G1634216	SHAFT:GUIDE:PAPER	U009_S001	20

Number	Part Name	Group	ID
G1635728	SEAL:FAN:2	U012	26
G1661008	CLUTCH/BRAKE BRAKET	U013	12
G1661046	COLOR DECAL - MAGENTA	U013	13
G1661047	SPACER- RUBBER FOOT	U013	14
G1661048	RUBBER FOOT	U013	15
G1661060	BASE:HINGE:COVER:FRONT	U013	16
G1661061	PIN:HINGE	U013	17
G1661064	CLUTCH/BRAKE SPRING	U013	18
G1661065	CLUTCH SPRING	U013	19
G1661066	CLUTCH/BRAKE CASE	U013	20
G1661067	GEAR - 14Z	U013	21
G1661069	RACK SUPPORTER	U013	22
G1661070	FRAME:UPPER LEFT	U013	23
G1661071	FRAME:UPPER RIGHT	U013	24
G1661072	SPRING:PLATE:AIO	U013	25
G1661073	SHAFT	U013	26
G1661078	COMPRESSION SPRING	U013	27
G1661080	TWIST SPRING - RIGHT	U013	28
G1661081	TWIST SPRING - LEFT	U013	29
G1661083	GROUNDING PLATE - HIGH VOLTAGE	U013	30
G1661084	SPRING:PLATE:AIO:BLACK	U013	31
G1661086	BRACKET:OPTICAL UNIT:FRAME:UPPER	U013	32
G1661087	SPRING:CUSHION:FRAME:UPPER	U013	33
G1661088	UPPER FRONT DUCT	U013	34
G1661089	PIN:PLATE:DEVELOPMENT UNIT	U013	35
G1661090	GROUND PLATE - DCHIP	U013	36
G1661093	GEAR - 20Z	U013	37
G1661095	SHEET:BASE:FRAME	U013	38
G1661096	GROUND PLATE - FRONT	U013	39
G1661097	GROUND PLATE - LEFT	U013	40
G1661099	(P C301W):KEY - AIO	U014	3
G1661111	FRAME - TRANSFER DRIVE UNIT	U011	8
G1661112	GEAR COVER	U013	41
G1661118	GROUNDING WIRE	U006	4
G1661119	MOTOR BRACKET	U006	5
G1661123	FRAME - ON-OFF DRIVE UNIT	U006	6

Exclusive Parts

Number	Part Name	Group	ID
G1661125	SHIELDING PLATE	U006	7
G1661131	DC MOTOR - DC24V 5.3W:(M6)	U006	8
G1661135	MOTOR - DC24V 1.6W:(M7)	U006	9
G1661152	GROUNDING PLATE	U011	9
G1661194	FRAME - DUPLEX DRIVE UNIT	U010	7
G1661240	BRAKE:COVER:UPPER	U013_S001	42
G1661241	BRAKE BRACKET	U013_S001	43
G1661269	STOPPER BAND	U013	44
G1661280	CUSHION - IMAGING UNIT	U014	4
G1661313	SEAL - 3X8X411MM	U001	7
G1661314	LOWER SEAL - 1	U013	45
G1661315	LOWER SEAL - 2	U013	46
G1661316	LOWER SEAL - 3	U013	47
G1661317	SEAL - 4X30X30MM	U001	8
G1661318	SHEET - CASSETTE COVER	U001	9
G1661323	SHEET:FRAME:RIGHT	U013	48
G1661342	RACK:DAMPER	U013	49
G1661383	BRAKE COLLER	U013_S001	50
G1661384	GEAR - 15Z	U013_S001	51
G1661386	BRAKE SPRING	U013_S001	52
G1661387	CLUTCH SPRING	U013_S001	53
G1661390	CAUTION DECAL - TRANSFER BELT	U014	5
G1662567	BOTTOM PLATE STOPPER	U004_S001	8
G1662568	COMPRESSION SPRING	U004_S001	9
G1662569	LEVER PAPER VOLUME SENSOR	U004_S001	10
G1662570	COMPRESSION SPRING	U004_S001	11
G1662572	EARTH SPRING	U004_S001	12
G1662573	HOLDER SHEET	U004_S001	13
G1662578	COMPRESSION SPRING	U004_S001	14
G1662582	GROUNDING SPRING	U013	54
G1662583	SPRING PLATE:PAPER TRAY:POSITIONING	U013	55
G1662585	FEELER - PAPER END SENSOR	U013	56
G1662586	FEELER HOLDER	U013	57
G1662589	DAMPING INSULATION	U004_S001	15
G1662592	SIDE FENCE DECAL	U014	6
G1662596	HOLDER:RESISTOR:BASE	U013	58

Number	Part Name	Group	ID
G1662597	SPRING PLATE:RESISTOR:BASE:LOWER	U013	59
G1662598	SPRING PLATE:RESISTOR:BASE:UPPER	U013	60
G1662606	COMPRESSION SPRING	U004_S001	16
G1662619	SHEET:BASE	U004_S001	17
G1663331	DECAL - BLACK	U005 U013	2 61
G1663333	DECAL - CYAN	U005 U013	3 62
G1663334	DECAL - YELLOW	U005 U013	4 63
G1663852	REGISTRATION ROLLER - DRIVEN	U008_S001	4
G1663855	TENSION SPRING	U008_S001	5
G1663859	REGISTRATION SENSOR FEELER	U008_S001	6
G1663860	TORSION SPRING	U008_S001	7
G1663863	REGISTRATION GUIDE	U008_S001	8
G1663865	GEAR - 14Z	U008_S001	9
G1663867	DRIVE GEAR - 14Z	U008_S001	10
G1663904	LEFT FRAME - FRONT COVER	U008	11
G1663906	LEFT LOCK LEVER	U008	12
G1663907	LOCK GUIDE	U008	13
G1663908	LOCK LEVER ARM	U008	14
G1663909	TENSION SPRING	U008	15
G1663910	GROUND WIRE	U008	16
G1663921	GUIDE PLATE SPRING - MIDDLE	U008	17
G1663925	TORSION SPRING - FEELER	U008	18
G1663927	STOPPER BAND	U008	19
G1663928	BRAKE RACK - FRONT COVER	U008	20
G1663933	STOPPER:FEELER:PAPER FEED SENSOR	U008	21
G1663957	WASHER - 0.8X10.8MM	U008	22
G1663961	COMPRESSION SPRING	U008_S001	23
G1663962	COMPRESSION SPRING HOLDER	U008	24
G1663965	GROUND WIRE	U008_S001	25
G1663967	ELECTRODE PLATE - LINK	U008_S001	26
G1663968	ELECTRODE PLATE - CONTACT POINT	U008_S001	27

Exclusive Parts

Number	Part Name	Group	ID
G1663972	COMPRESSION SPRING - GRIP	U008	28
G1663983	SPACER:GROUND PLATE:TRANSFER	U008_S001	29
G1663996	DECAL:INSERT SUB-UNIT:COVER	U014	7
G1663997	GROUND WIRE:TRANSFER/SEPARATION	U008_S001	30
G1663998	GROUND WIRE- DUPLEX	U008_S001	31
G1664310	DECAL:WARNING (HIGH TEMPERATURE):1:CUD	U008	32
G1664456	GUIDE ROLLER - EXIT	U010_S001	8
G1664457	DRIVEN ROLLER - EXIT	U010_S001	9
G1664463	EXIT GUIDE PLATE	U010_S001	10
G1664606	DUPLEX ROLLER	U008	33
G1665280	TERMINAL BOARD:(PCB6)	U012	27
G1665705	SHIELDING PLATE	U013	64
G1665706	GROUND PLATE:SHAFT:IMAGING UNIT	U013	65
G1665708	2ND TERMINAL- TRANSFER	U013	66
G1665716	TERMINAL:AIO	U012	28
G1665724	HARNESS CLAMP HOLDER	U013	67
G1665725	HARNESS COVER	U012	29
G1665726	CUSHION - HARNESS	U012	30
G1665734	TORSION SPRING - SAFETY SWITCH	U012	31
G1665736	TENSION SPRING - SAFETY SWITCH	U012	32
G1665737	COMPRESSION SPRING - SAFETY SWITCH	U012	33
G1665738	1ST TERMINAL - TRANSFER	U012	34
G1665745	HARNESS COVER	U010	11
G1665751	CONNECTOR HOLDER - FUSING	U012	35
G1665754	ARM:LINK:SAFETY SWITCH	U012	36
G1666026	BUSHING - 19MM	U006_S001	10
G1666045	SPRING - FEELER	U012	37
G1666046	SENSOR FEELER	U012	38
G1666099	COMPRESSION SPRING	U006_S001	11
G1666103	SENSOR HOLDER	U012	39
G1666107	GROUNDING PLATE	U012	40

Number	Part Name	Group	ID
G1666181	COMPRESSION SPRING - RIGHT LOWER	U012_S001	41
		U012_S002	41
G1666182	COMPRESSION SPRING - LEFT LOWER	U012_S001	42
		U012_S002	42
G1666183	BRACKET - DENSITY SENSOR	U012_S001	43
		U012_S002	43
G1666184	HOLDER - DENSITY SENSOR	U012_S001	44
		U012_S002	44
G1666185	GROUNDING PLATE - DENSITY SENSOR	U012_S001	45
		U012_S002	45
G1666188	CLEANER - DENSITY SENSOR	U012_S001	46
		U012_S002	46
G1666191	CLEANER DECAL - DENSITY SENSOR	U012_S001	47
		U012_S002	47
G1666193	LEFT HOLDER - TRANSFER BELT UNIT	U006_S001	12
G1666194	RIGHT HOLDER - TRANSFER BELT UNIT	U006_S001	13
G1666196	RIGHT SLIDER - TRANSFER BELT UNIT	U006_S001	14
G1666197	LEFT SLIDER - TRANSFER BELT UNIT	U006_S001	15
G1666580	STOPPER SHEET - PHOTOINTERUPTOR	U012	48
G1666584	USED TONER SENSOR:(S9)	U012	49
G1666586	FEELER - SET SENSOR	U012	50
G1666587	SENSOR BRACKET	U012	51
G1666592	SPRING PLATE -COLLECTION BOTTLE	U013	68
G8003133	SIDE FENCE GEAR	U004_S001	18
GA043044	TIMING BELT:60S2M310	U010	12
GA082014	PLAIN SHAFT BEARING:DIA6:DIA10:9	U010_S001	13
GA082015	PLAIN SHAFT BEARING:DIA6:DIA9:7	U008_S001	34
GA120011	DISCHARGE BRUSH EXIT	U010_S001	14
GA132101	SPACER - 0.13 X 12MM	U011	10
GA145013	SHAFT - 6 X 39.5MM	U011	11

Exclusive Parts

Number	Part Name	Group	ID
GA145014	SHAFT - 6 X 55.3MM	U010	15
GB010039	GEAR:AIO:DRIVE:MIDDLE	U011	12
GB010040	GEAR:AIO:DRIVE:1	U011	13
GB011104	GEAR - 20/35Z	U011	14
GB011106	GEAR - 22/31Z	U011	15
GB011108	GEAR - 21Z	U010	16
		U011	16
GB011109	GEAR - 28Z	U011	17
GB011110	GEAR - 31Z	U011	18
GB011111	GEAR - 19Z	U010	17
GB011112	GEAR - 29Z	U010	18
GB011118	REGIST DRIVE GEAR	U011	19
GB011133	GEAR - 15Z	U008_S001	35
		U010_S001	19
GB012102	GEAR - 54Z	U011	20
GB013090	GEAR:PRESSURE ROLLER:Z29	U009_S001	21
GB013114	GEAR - 35Z	U006	16
GB013115	GEAR - 21Z	U006	17
GB013117	GEAR - 19Z	U006	18
GB013143	GEAR:IDLER:Z18	U009_S001	22
GB013144	GEAR:DRIVE:Z19	U009_S001	23
GB017109	GEAR - 16/42Z	U010	20
GB017111	GEAR - 16/51Z	U006	19
GB017112	GEAR - 21/73Z	U006	20
GB017113	GEAR - 40/65Z	U006	21
GB017116	GEAR - 17/42Z	U006	22
GB017120	GEAR:AIO:JOINT:2	U011	21
GB017123	GEAR:AIO:DRIVE	U011	22
GB017124	GEAR:TRANSFER:DRIVE:MIDDLE	U011	23
GB018886	GEAR:IDLER:PAPER FEED:1	U011	24
GB018887	GEAR:SLOW DOWN:FUSING:NO.1	U011	25
GB018888	GEAR:SLOW DOWN:FUSING:NO.3	U011	26
GB018889	GEAR:SLOW DOWN:FUSING:NO.2	U011	27
GB030036	PULLEY - 18T	U010	21
		U011	28
GE020019	PRESSURE ROLLER:DIA25	U009_S001	24
GF013001	BOTTOM PLATE PAD	U004_S001_S001	19
GF020061	EXIT ROLLER	U010_S001	22

Number	Part Name	Group	ID
GF020073	TRANSPORT ROLLER:DUPLEX	U008_S001	36
GF020074	REGISTRATION ROLLER:DRIVE	U008_S001	37
GW020024	PHOTOINTERRUPTOR:LG2A24BL1	U010	23
	:GF:(S3/S4/S5/S6/S10)	U012	52
GW100026	THERMISTOR:PRESSURE:MIDDLE	U009_S001	25
	:(TH3)		
GX061100	STEPPER MOTOR:(M5)	U010	24
GX061146	BRUSHLESS MOTOR:DC24V:46W:(U011	29
	M1)		
GX061160	BRUSHLESS MOTOR:DC24V:27W:(U011	30
	M2)		
GX061161	BRUSHLESS MOTOR:DC24V:22W:(U011	31
	M4)		
GX201123	MAGNETIC CLUTCH:0.25N:(CL1/C	U004	20
	L2)	U011	32
GZ230106	(EU/AA/CHN):POWER SUPPLY UNI	U012	53
	T		
GZ320015	POWER PACK:CDVT1T2:(PCB3)	U012	54
H5213355	C RING - PAPER FEED ROLLER	U004	21
M0182608	COVER:BASE	U004_S001	22
M0184459	ROLLER:DRIVEN:EXIT:OUTER	U010_S001	25
M0184464	GUIDE:PLATE:EXIT:OUTER	U010_S001	26
M0353974	COMPRESSION SPRING:HOUSING	U008	38
	:TRANSPORT		
M0751105	BRACKET:MOTOR	U011	33
M0751107	SHIELDING PLATE:GEAR:2	U011	34
M0751251	GUIDE:LOUVER	U001	10
M0751252	SEAL:STOPPER:LOUVER	U001	11
M0751308	SEAL:GUIDE:LOUVER:UPPER	U001	12
M0751309	SEAL:GUIDE:LOUVER:LOWER	U001	13
M0752610	COMPRESSION SPRING:LOCK:SID	U004_S001	23
	E FENCE		
M0754607	SPRING:PRESSURE:DUPLEX	U008	39
M0963987	DECAL:GRIP:HOUSING	U008_S001	40
M0963988	DECAL:INSERT SUB-UNIT:TRANS	U008_S001	41
	PORT UNIT		
M0963989	RESISTOR:TRANSFER/SEPARATI	U008_S001	42
	ON		

Exclusive Parts

Number	Part Name	Group	ID
M0963993	RESISTOR:EARTH:PAPER FEED	U013	69
M0963994	RESISTOR:EARTH:EXIT:DISCHARGE SECTION	U010_S001	27
M0964455	GROUND PLATE:EXIT:1	U010_S001	28
M0964456	GROUND PLATE:EXIT:2	U010_S001	29
M0964458	SPRING:PRESSURE:EXIT:INNER	U010_S001	30
M0964460	SPRING:PRESSURE:EXIT:OUTER	U010_S001	31
M0965760	GROUND PLATE:REGISTRATION ROLLER	U013	70
M0965761	GROUND PLATE:BASE:PSU	U013	71
M0AD1253	LOUVER	U001	14
M0AD3905	LEVER:LOCK:RIGHT	U008	43
M0AR0640	TONER RECYCLING SECTION	U007_S001	2
M0AR1261	INNER COVER:EXIT	U001	15
M0AR2552	PAPER TRAY:FRONT	U004_S001	24
M0AR2553	CASSETTE COVER	U004_S001	25
M0AR2554	GUIDE:DUPLIX	U004	26
M0AR2560	SIDE FENCE:LEFT:MANUAL FEED	U004_S001	27
M0AR2561	SIDE FENCE:RIGHT:MANUAL FEED	U004_S001	28
M0AR2571	SHEET:CASSETTE	U004_S001	29
M0CS1012	SHAFT:LOCK:ASS'Y	U013	72
M0CS1068	DUCT:FUSING	U013	73
M0CS1070	SHEET:FRAME:UPPER LEFT	U013	74
M0CS1071	SHEET:HIGH VOLTAGE CONTROL:BASE	U012	55
M0CS1088	DUCT:EXIT	U012	56
M0CS1089	DUCT:LSU	U012	57
M0CS1094	COVER:CONTROL SECTION	U012	58
M0CS1111	GUIDE:HARNESS:FUSING	U012	59
M0CS1112	COVER:HARNESS:SEPARATION	U012	60
M0CS1116	GUIDE:HARNESS	U012	61
M0CS1156	HOUSING:TRANSPORT:GEAR	U011	35
M0CS1250	COVER:UPPER	U013	75
M0CS1253	COVER:RIGHT	U001	16
M0CS1260	SLOPE:COVER:UPPER:MOCS	U013	76
M0CS1262	COVER:CASSETTE:MOCS	U001	17
M0CS1264	COVER:REAR	U001	18

Number	Part Name	Group	ID
M0CS1265	SEAL:COVER:LEFT:4	U001	19
M0CS1266	COVER:LEFT	U001	20
M0CS1267	SEAL:COVER:LEFT:6	U001	21
M0CS1268	SEAL:COVER:LEFT:7	U001	22
M0CS1269	SEAL:COVER:LEFT:8	U001	23
M0CS1270	SEAL:COVER:LEFT:3	U001	24
M0CS1278	COVER:PAPER EXIT SUB-UNIT	U001	25
M0CS1308	COVER:INTERFACE:MOCS	U001	26
M0CS1343	KEY:FUSING	U013	77
M0CS1381	(P C300W):PLATE:NAME PLATE	U014	8
M0CS1401	(NA/EU/AA):OPERATION SUB-UNIT:ASS'Y	U002_S001	3
M0CS1452	KEYTOP:RIGHT	U002_S001	4
M0CS1453	KEYTOP:START/STOP	U002_S001	5
M0CS1454	LENS	U002_S001	6
M0CS1455	KEYTOP:POWER	U002_S001	7
M0CS1456	KEYTOP:WIFI	U002_S001	8
M0CS1457	(NA/EU/AA/CHN):KEYTOP:OK	U002_S001	9
M0CS1466	PCB:OPU:ASS'Y:(PCB7)	U002_S001	10
M0CS1471	(NA/EU/AA):SHEET:OPERATION SUB-UNIT	U002_S001	11
M0CS1851	OPTICAL WRITING UNIT:ASS'Y	U003	1
M0CS2550	PAPER TRAY:ASS'Y	U004_S001	30
M0CS2551	PAPER TRAY	U004_S001	31
M0CS2562	BASE:ADHESION	U004_S001_S001	32
M0CS2581	END FENCE	U004_S001	33
M0CS2582	LEVER:LOCK:END FENCE	U004_S001	34
M0CS2583	PAWL:LOCK:END FENCE	U004_S001	35
M0CS2584	END FENCE:PRESSURE	U004_S001	36
M0CS2589	HOLDER:PAPER TRAY:POSITIONING	U013	78
M0CS2620	FRICTION PAD:ADHESION	U004_S001	37
M0CS2622	SIDE FENCE:LEFT:PEEN	U004_S001	38
M0CS2628	COVER:SIDE FENCE:LEFT	U004_S001	39
M0CS2630	SIDE FENCE:RIGHT:PEEN	U004_S001	40
M0CS2632	COVER:SIDE FENCE:RIGHT	U004_S001	41
M0CS2633	LEVER:LOCK:SIDE FENCE	U004_S001	42
M0CS2634	PAWL:LOCK:SIDE FENCE	U004_S001	43

Exclusive Parts

Number	Part Name	Group	ID
M0CS3802	HOUSING:TRANSPORT SUB-UNIT: ASS'Y	U008_S001	44
M0CS3862	SHEET:REGISTRATION:T0.075	U008_S001	45
M0CS3903	COVER:FRONT	U008	46
M0CS3912	HOLDER:GUIDE PLATE:REVERSE: LEFT	U008	47
M0CS3913	HOLDER:GUIDE PLATE:REVERSE: RIGHT	U008	48
M0CS3918	SLIDER:HOLDER:CUSHION	U008	49
M0CS3919	CUSHION:SLIDER:LEVER	U008	50
M0CS3923	GUIDE PLATE:EXIT:MIDDLE	U008	51
M0CS3924	FEELER:PAPER FEED SENSOR	U008	52
M0CS3934	GUIDE:GATE:REVERSE	U008	53
M0CS3970	HOOK:FIX:TRANSFER/SEPARATION:LEFT	U008	54
M0CS3971	HOOK:FIX:TRANSFER/SEPARATION:RIGHT	U008	55
M0CS4012	(EU/AA/CHN):FUSING UNIT:SERVICE PARTS	U009_S001	26
M0CS4042	(EU/AA/CHN):SLEEVE:FUSING:SERVICE PARTS	U009_S001	27
M0CS4237	DISCHARGE BRUSH:BRACKET:THERMISTOR:PRESSURE	U009_S001	28
M0CS4261	STAY:GEAR	U009_S001	29
M0CS4262	SIDE PLATE:GEAR:LEFT	U009_S001	30
M0CS4281	FUSING ENTRANCE GUIDE PLATE:UPPER	U009_S001	31
M0CS4282	FUSING ENTRANCE GUIDE PLATE:LOWER	U009_S001	32
M0CS4284	FUSING ENTRANCE GUIDE PLATE:OPPOSED	U009_S001	33
M0CS4285	SHEET:OPPOSED:REFLECTION PHOTO SENSOR	U009_S001	34
M0CS4302	TORSION SPRING:STRIPPER PLATE:LEFT	U009_S001	35
M0CS4303	TORSION SPRING:STRIPPER PLATE:RIGHT	U009_S001	36
M0CS4304	COLLAR:STRIPPER PLATE:LEFT	U009_S001	37

Number	Part Name	Group	ID
M0CS4305	COLLAR:STRIPPER PLATE:RIGHT	U009_S001	38
M0CS4309	GUIDE PLATE:EXIT:FUSING	U009_S001	39
M0CS4313	GUIDE PLATE:EXIT:PRESSURE	U009_S001	40
M0CS4314	COIL SPRING:GUIDE PLATE:FUSING EXIT	U009_S001	41
M0CS4322	FUSING COVER:UPPER	U009_S001	42
M0CS4332	FUSING COVER:LOWER	U009_S001	43
M0CS4450	GUIDE:EXIT:ASS'Y	U010_S001	32
M0CS5012	PCB:EGB:ASS'Y:(PCB1)	U012	62
M0CS5191	(EU/AA/CHN):PCB:ACVB:200V	U012	63
M0CS5660	PCB:CTL:ASS'Y:(PCB2)	U012	64
M0CS5712	SHADING PLATE:HARNESS:POWER SUPPLY UNIT	U012	65
M0CS5713	SHEET:INSULATE:POWER SUPPLY UNIT	U012	66
M0CS5732	BASE:SAFETY SWITCH	U012	67
M0CS5734	LINK:SAFETY SWITCH	U012	68
M0CS5748	LEVER:SAFETY SWITCH	U012	69
M0CS5823	GUIDE:HARNESS:THERMOPILE	U013	79
M0CS6000	INTERMEDIATE TRANSFER SECTION:ASS'Y	U006_S001	23
M0CS6002	DENSITY SENSOR:ASS'Y:(S8)	U012_S001 U012_S002	70 70
M0CS6202	TRANSFER ROLLER:SUB-ASS'Y	U008_S001_S001	56
M0CS6250	TRANSFER ROLLER:TRANSFER/SEPARATION:M2:AAPLUS:BURNISH	U008_S001_S001	57
M0CW1381	(P C301W):PLATE:NAME PLATE	U014	9
M0CX1281	BASE:END FENCE:EXIT:MOCX	U013	80
M0CX1284	END FENCE:EXIT:FRONT:MOCX	U013	81
M0CX1286	END FENCE:EXIT:REAR:MOCX	U013	82
M1981085	SPRING PLATE:LSU:POSITIONING	U013	83
M1982580	SHAFT:PAPER FEED ROLLER	U004	44
M2872624	CLICK:SIDE FENCE	U004_S001	45
M2872625	LEVER:LOCK:EXTENSION TRAY	U004_S001	46
M2872636	GEAR:16Z	U004_S001	47

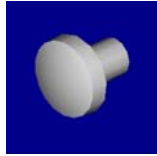
Standard Parts



03130040N
SCREW:M3X4



03530030N
SCREW:M3X3



03530040N
SCREW - M3X4



03603006N
SCREW - M3X6



03603008N
SCREW:M3X8



03603010N
SCREW:M3X10



04503010N
TAPPING SCREW - M3X10



04503016N
TAPPING SCREW:3X16



04503020N
TAPPING SCREW:M3X20



04504010N
TAPPING SCREW:M4X10



04524010N
BINDING SELF-TAPPING SCREW:4X10



04543006Q
TAPPING SCREW - M3X6



04543008Q
TAPPING SCREW:3X8



07200030E
RETAINING RING - M3



07200040E
RETAINING RING - M4



07200060E
RETAINING RING - M6



07270080E
RETAINING RING - M8



08046123
HEXAGONAL BOLT:W/WASHER:M3X8



08046128
HEXAGONAL BOLT:DOUBLE SCREW:M3X10



08050088
RETAINING RING - M6



08050089
RETAINING RING - M4



08050092
RETAINING RING - 3M



08053579
BALL BEARING:DIA8XDIA16X5



09543006N
SCREW - M3X6



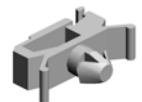
09573012N
SCREW - M3X12



11050692
CLAMP:LES-0503



11050724
CLAMPS:WES-1210



11050758
CLAMP:LWSM-0306A

Standard Parts



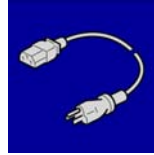
11050760
CLAMP:LWSM-0511A



11050762
CLAMP:LWS-0711A



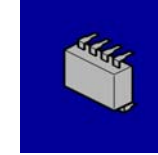
11050789
CLAMP:LBWS-0511S-V03.5



11500500
(EU/AA):POWER SUPPLY CO
RD:250V:10A:BARCODE



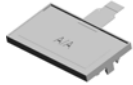
12042612
MICRO SWITCH:D3V-16506-3
C25:(SW1/SW2/SW3)



14077677
EEPROM:BR24T64-W



14078609
INTERFACE IC:WL-8811CU-V
2



18310005
LCD:4LINE:STN:MV

