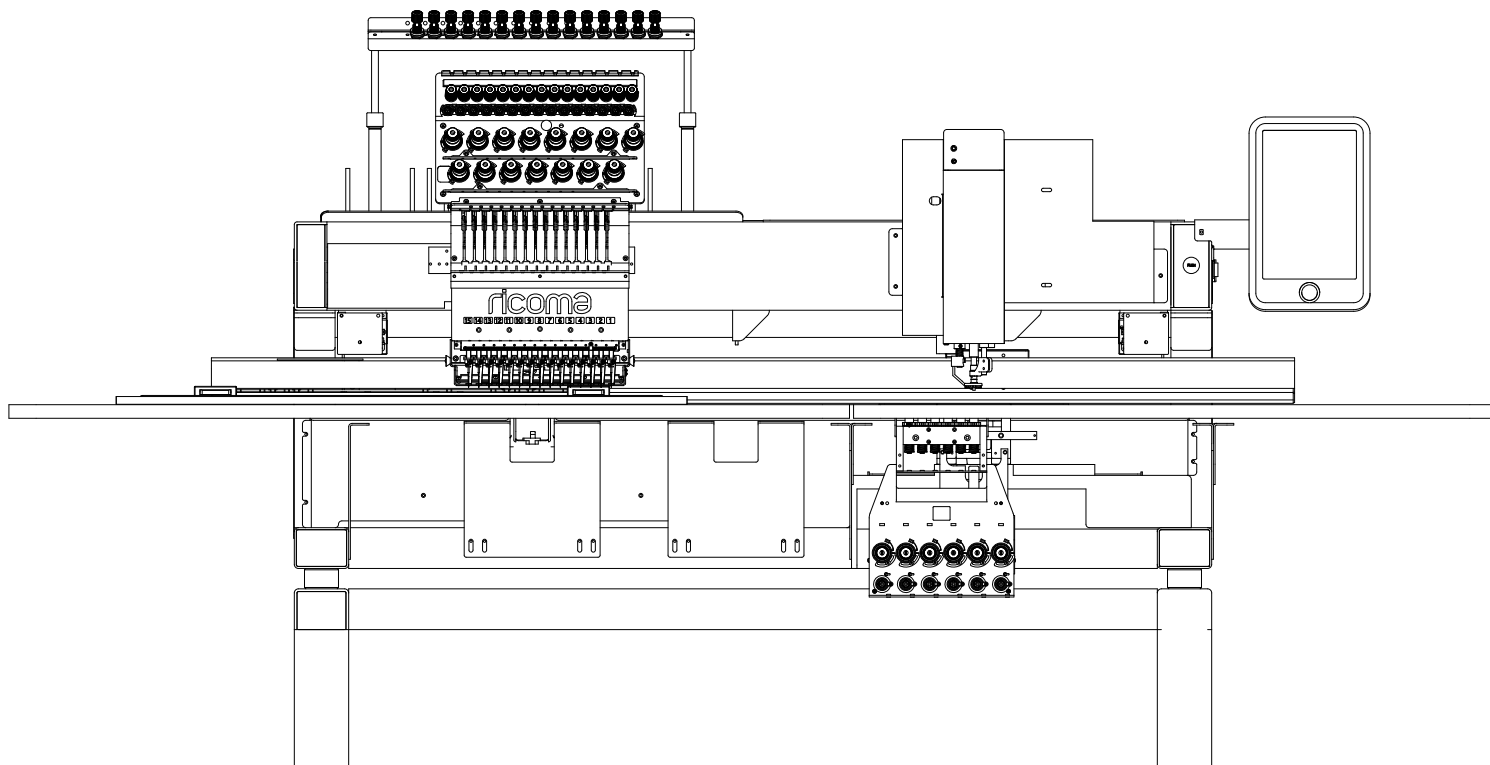


HIGH-SPEED CHENILLE MACHINE PARTS BOOK

MCC / MMC / MFC



(2023.10.16)
(October 16, 2023)

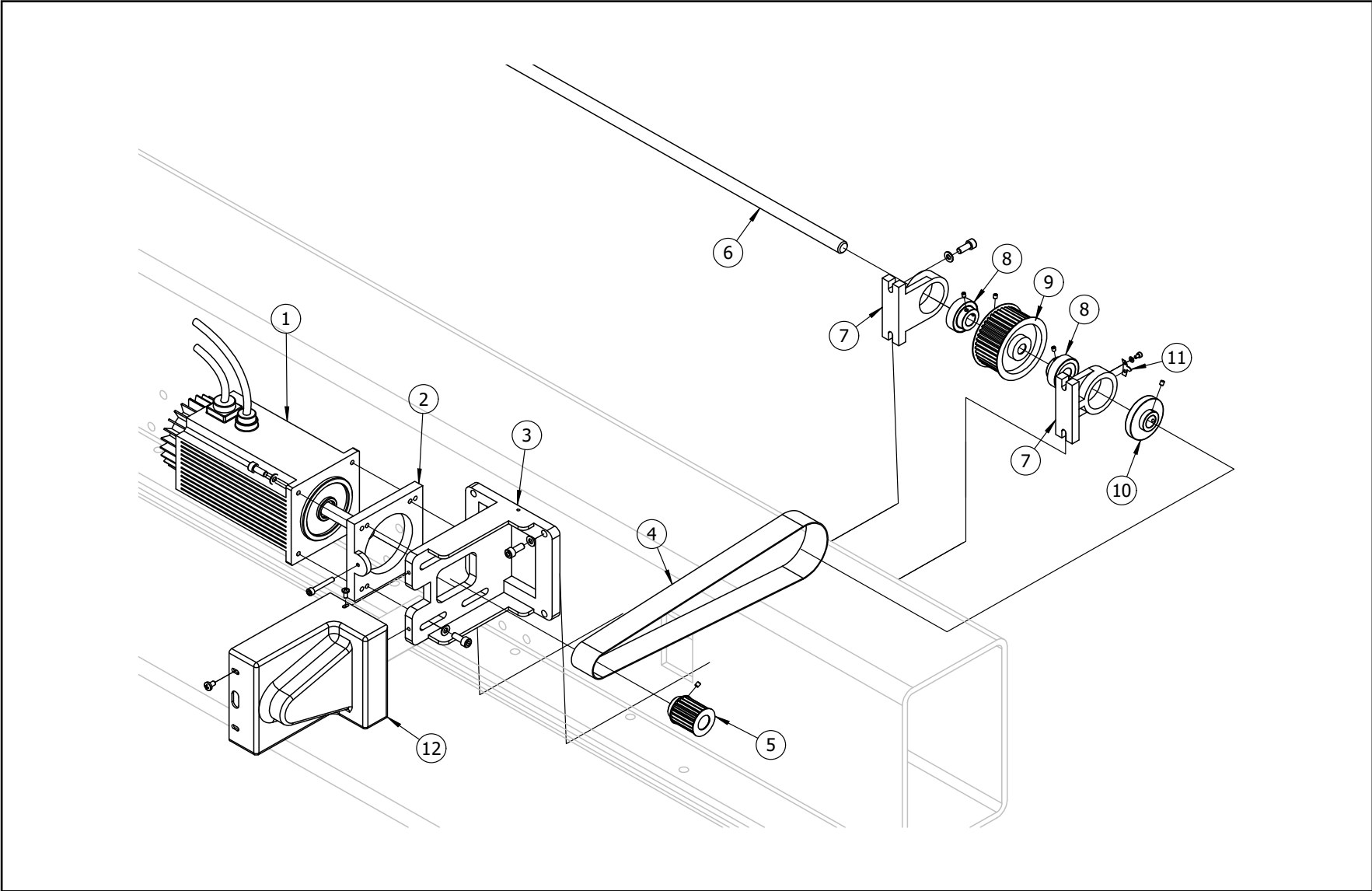
CONTENTS

Contents.....	<u>1-3</u>
Multi-Heads High-Speed Chenille Machine Main Shaft Drive Parts.....	<u>4</u>
Multi-Heads High-Speed Chenille Machine Main Shaft Drive Parts.....	<u>5</u>
Multi-Heads High-Speed Chenille Machine D-Shaft Drive Parts.....	<u>6</u>
Multi-Heads High-Speed Chenille Machine D-Shaft Drive Parts.....	<u>7</u>
Multi-Heads High-Speed Chenille Machine H-Shaft Drive Parts.....	<u>8</u>
Multi-Heads High-Speed Chenille Machine H-Shaft Drive Parts.....	<u>9</u>
Multi-Heads High-Speed Chenille Machine Thread Loosening Shaft Drive.....	<u>10</u>
Multi-Heads High-Speed Chenille Machine Thread Loosening Shaft Drive.....	<u>11</u>
High-Speed Chenille Machine Head #1.....	<u>12</u>
High-Speed Chenille Machine Head #1 Parts.....	<u>13</u>
High-Speed Chenille Machine Head #2.....	<u>14</u>
High-Speed Chenille Machine Head #2 Parts.....	<u>15-16</u>
Low-Speed Chenille Machine D-Shaft Drive Parts.....	<u>17</u>
Low-Speed Chenille Machine D-Shaft Drive Parts.....	<u>18</u>
High-Speed Chenille Machine Head.....	<u>19</u>
High-Speed Chenille Machine Head Parts.....	<u>20</u>

High-Speed Chenille Machine Head #4.....	<u>21</u>
High-Speed Chenille Machine Head #4 Parts.....	<u>22-23</u>
High-Speed Chenille Machine Head #5.....	<u>24</u>
High-Speed Chenille Machine Head #5 Parts.....	<u>25-26</u>
High-Speed Chenille Centralized Looping Parts.....	<u>27</u>
High-Speed Chenille Centralized Looping Parts.....	<u>28</u>
Low-Speed Chenille Independent Looping Part.....	<u>29</u>
Low-Speed Chenille Independent Looping Parts.....	<u>30</u>
Chenille Trimming Parts #1.....	<u>31</u>
Chenille Trimming Parts #1.....	<u>32</u>
Chenille Trimming Parts #2.....	<u>33</u>
Chenille Trimming Parts #2.....	<u>34</u>
Chenille Loop Shuttle Frame.....	<u>35</u>
Chenille Loop Shuttle Frame Parts.....	<u>36</u>
Chenille Thread Clamp.....	<u>37</u>
Chenille Thread Clamp Parts.....	<u>38</u>
Chenille Thread Loosening Parts #1.....	<u>39</u>

Chenille Thread Loosening Parts #1.....	<u>40</u>
Chenille Thread Loosening Parts #2.....	<u>41</u>
Chenille Thread Loosening Parts #2.....	<u>42-43</u>
Low-Speed Chenille Machine Integrated Thread Loosening Part.....	<u>44</u>
Low-Speed Chenille Machine Integrated Thread Loosening Parts.....	<u>45-46</u>
Chenille Thread Tension Base.....	<u>47</u>
Chenille Thread Tension Base Parts.....	<u>48-49</u>
Chenille Color Changing Parts.....	<u>50</u>
Chenille Color Changing Parts.....	<u>51</u>
Chenille Thread Stand.....	<u>52</u>
Chenille Thread Stand Parts.....	<u>53</u>

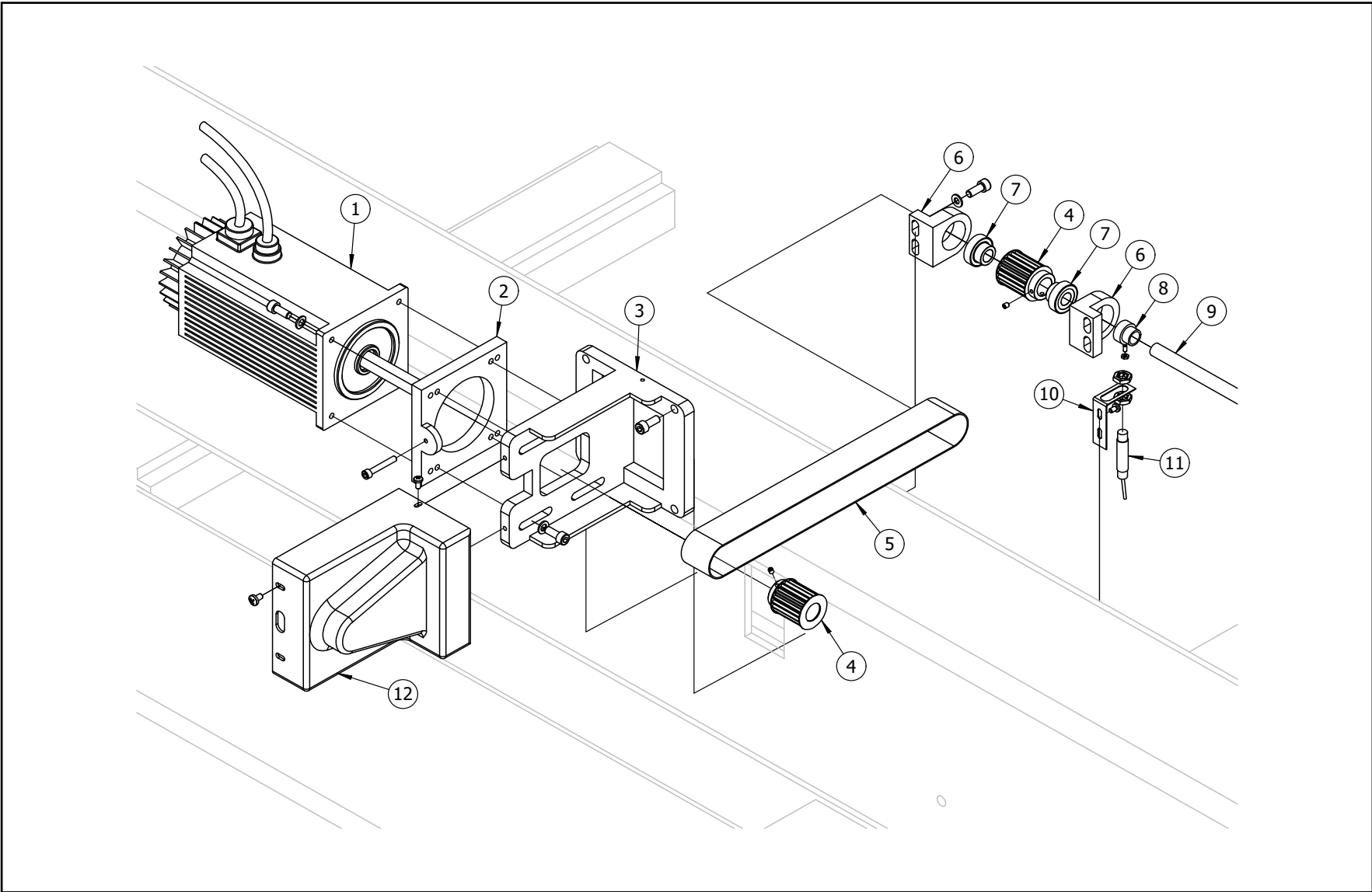
Multi-Heads High-Speed Chenille Machine Main Shaft Drive Parts



Multi-Heads High-Speed Chenille Machine Main Shaft Drive Parts

Part Number		Description
1	803106****	Main shaft servo motor-SM130-****-D06(AF) (x1)
2	72500207-1	D-shaft motor base of chenille main shaft-A (x1)
3	72500207-2	D-shaft motor base of chenille main shaft-B (x1)
4	725002**	Chenille embroidery main shaft belt-HTD8m-***-40 (x1)
5	72500211	D-shaft motor pulley of chenille embroidery main shaft (x1)
6	800318****	Shaft-18 (x1)
7	72500202	Bearing base of chenille main shaft (x2)
8	72500219	Bearing-6005RS-18-24 (x2)
9	72500209	Big pulley-HTD8M-34-18-40 chenille main shaft (x1)
10	05020184	Chenille machine dial-18 (x1)
11	02311141	Dial arrow (x1)
12	72500207-3	Main shaft motor base housing (x1)

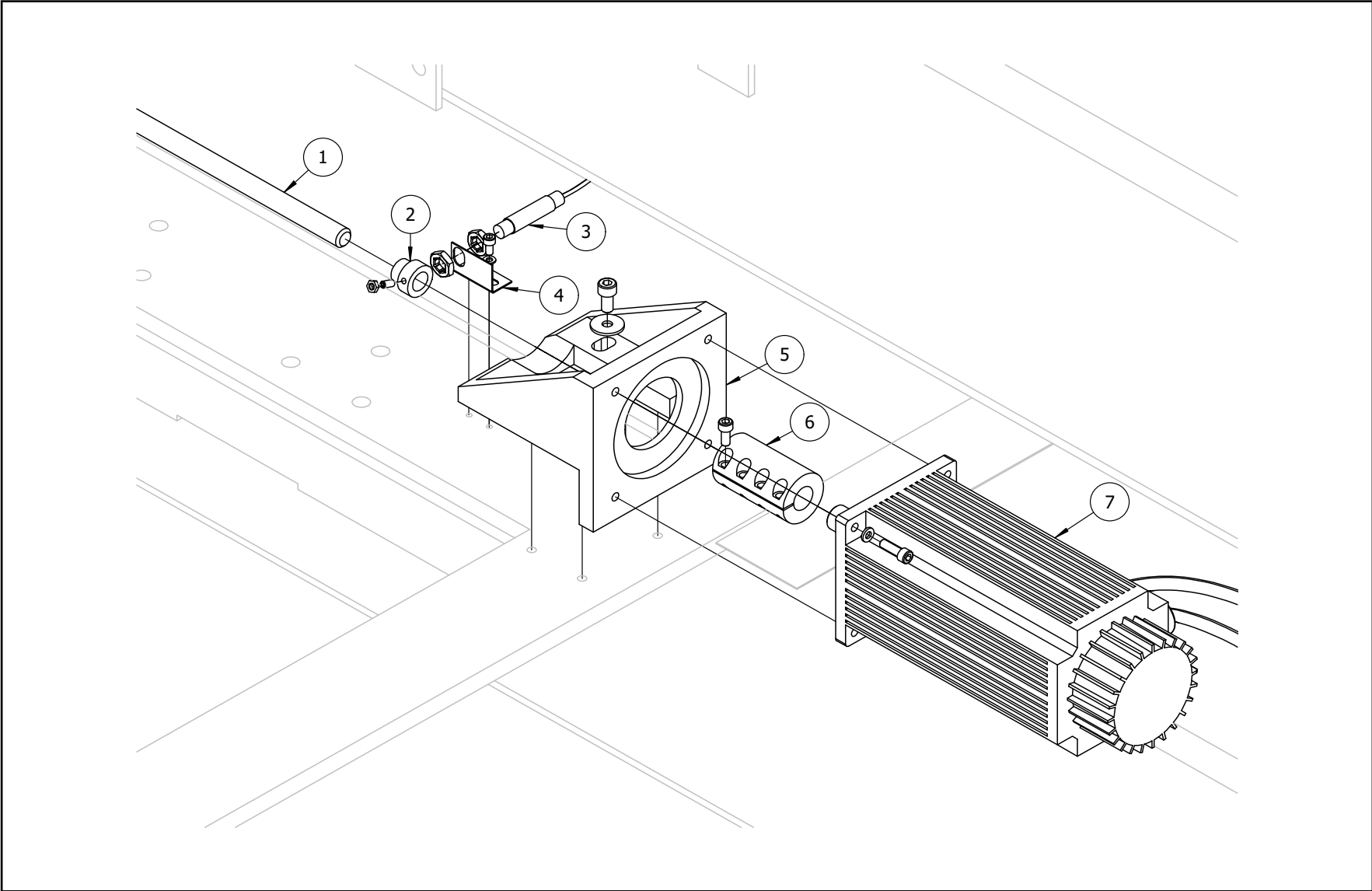
Multi-Heads High-Speed Chenille Machine D-Shaft Drive Parts



Multi-Heads High-Speed Chenille Machine D-Shaft Drive Parts

Part Number		Description
1	803106****	D-shaft servo motor-SM130-****-D00(A)
2	72500207-1	D-shaft motor base of chenille main shaft-A
3	72500207-2	D-shaft motor base of chenille main shaft-B
4	72500211	D-shaft motor pulley of chenille embroidery main shaft
5	725002**	D-shaft belt-HTD8m-**-40 of Chenille embroidery
6	72500203	Chenille D-shaft bearing base
7	725002206003	Bearing-S6003RS-15-35
8	80031501	Bearing bush-15mm-17mm
9	800315****	Shaft-15mm
10	725002**	Proximity switch bracket
11	80333603	Proximity switch
12	72500207-3	Belt cover of D-shaft motor

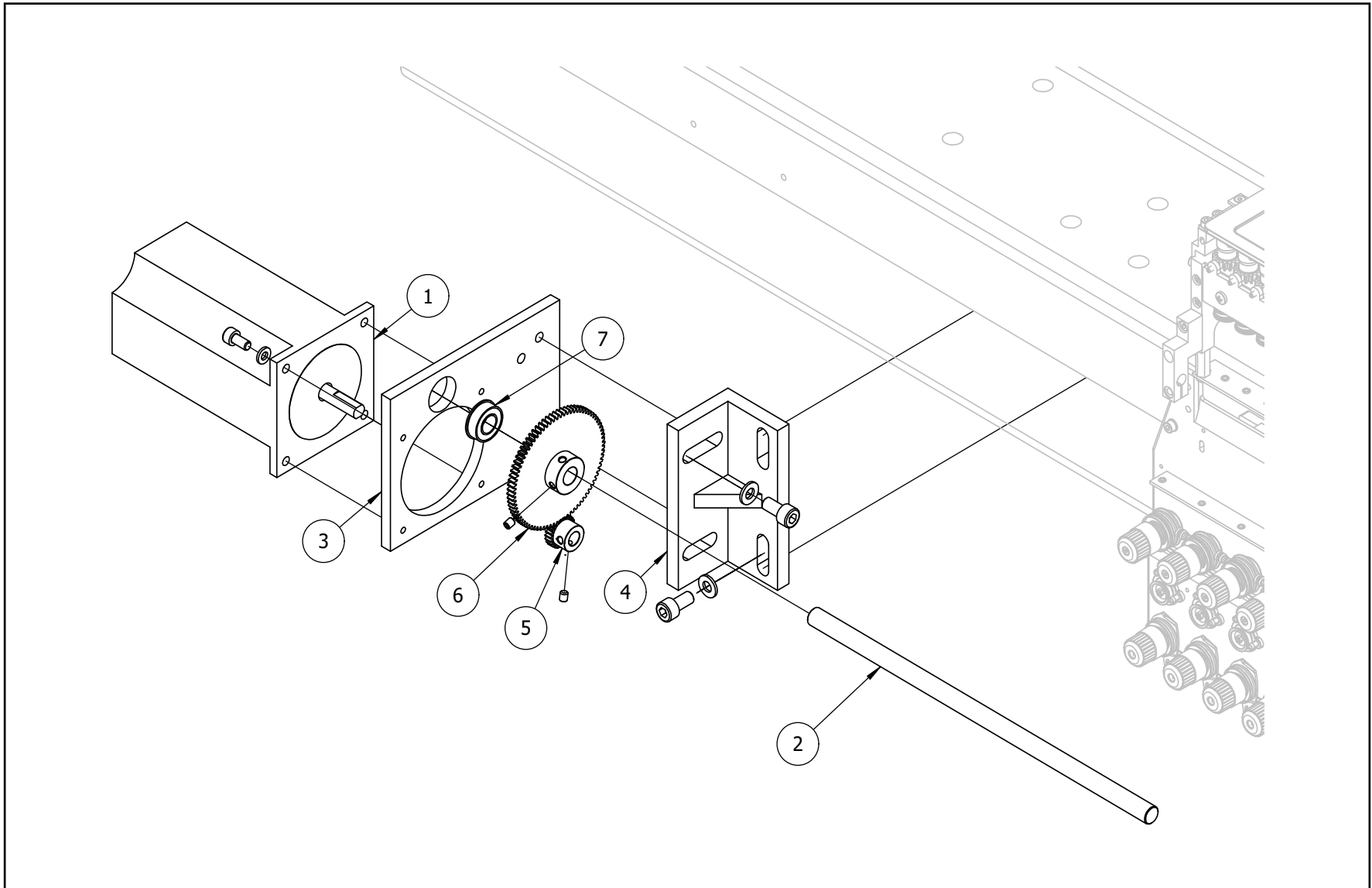
Multi-Heads High-Speed Chenille Machine H-Shaft Drive Parts



Multi-Heads High-Speed Chenille Machine H-Shaft Drive Parts

Part Number		Description
1	800315****	Shaft-15mm
2	80031501	Bearing bush-15mm-17mm diameter
3	80333603	Proximity switch
4	725002**	Proximity switch bracket
5	72500206	H-shaft directly-connected motor base
6	72500201	19mm to 15mm diameter connecting sleeve
7	803106****	H-shaft servo motor-SM110-*****-D00(AF)

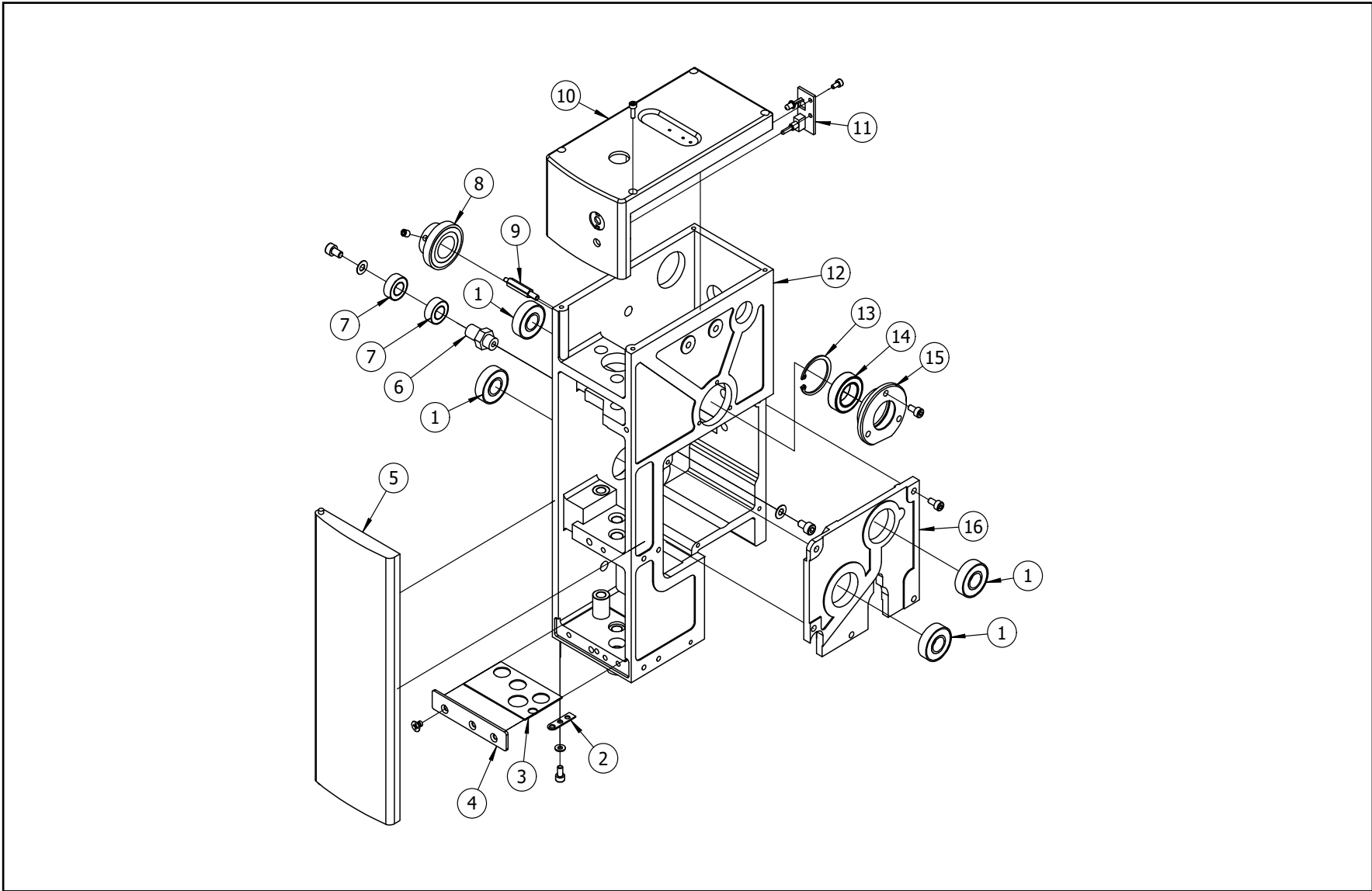
Multi-Heads High-Speed Chenille Machine Thread Loosening Shaft Drive



Multi-Heads High-Speed Chenille Machine Thread Loosening Shaft Drive Parts

Part Number		Description
1	72500216	Chenille thread loosening motor 86D113C2708-30AB-500
2	800312****	Shaft-12mm
	800315****	Shaft-15mm
3	72500205-1	Thread loosening motor base B
4	72500205-2	Thread loosening motor base A
5	72500122-1	Thread loosening gear-20 gears-9.5mm
6	72500122-2	Thread loosening gear-80 gears-12mm
	72500122-3	Thread loosening gear-80 gears-15mm
7	72500122-4	Bearing-F6901Z-12-24
	72500122-5	Bearing-F6902Z-15-24

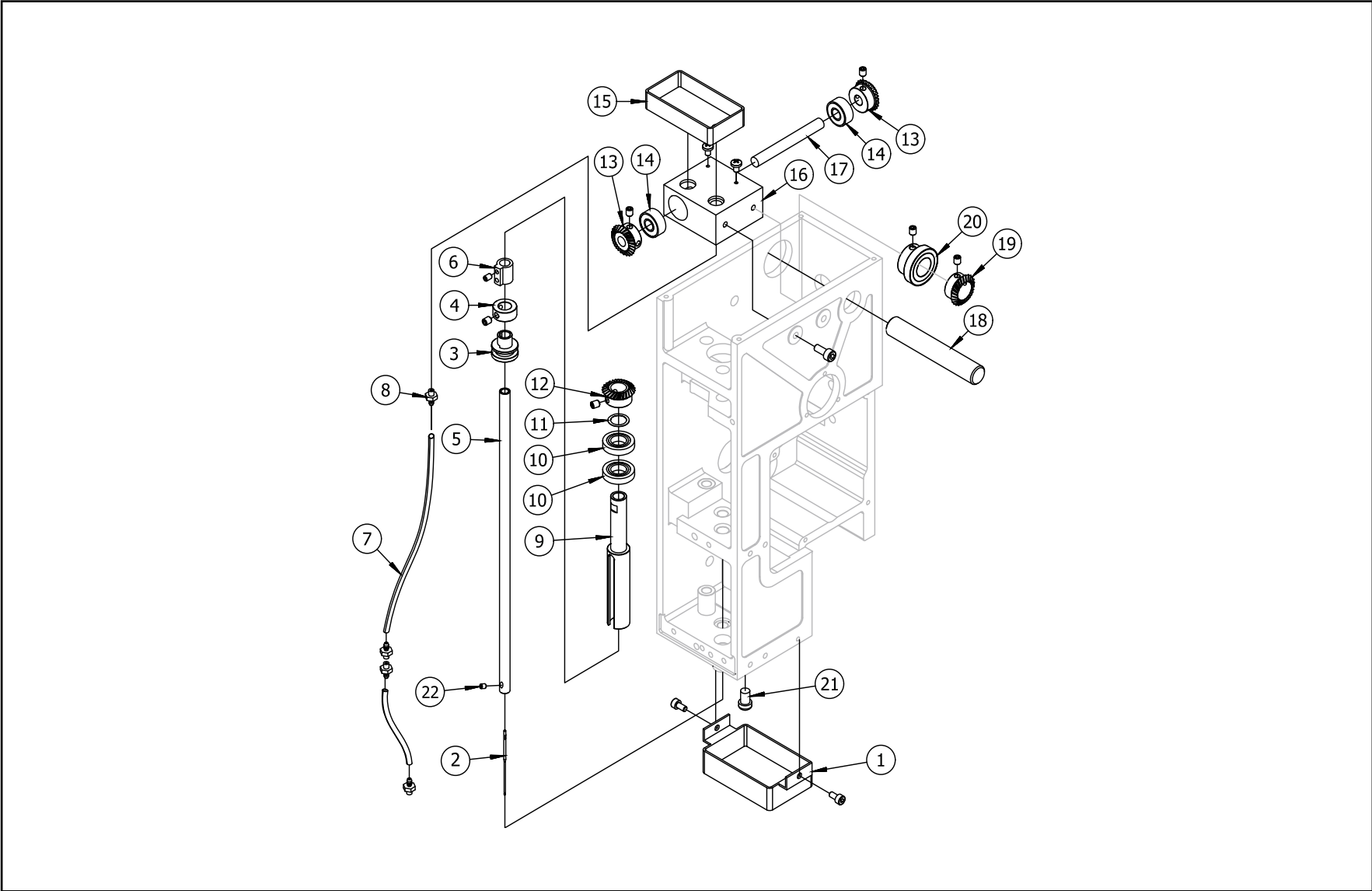
High-Speed Chenille Machine Head #1



High-Speed Chenille Machine Head #1 Parts

	Part Number	Description
1	72500101-1	Bearing-6001Z-12-28 (x4)
2	72500101-2	Supporting sheet of chenille head front cover (x1)
3	72500101-3	Felt pad (x1)
4	72500101-4	Machine head lower baffle (x1)
5	72500101-5	Chenille head front cover (x1)
6	72500101-6	Eccentric pin of needle-height tension pulley (x1)
7	72500101-7	Bearing-63800Z-10-19 (x2)
8	72500101-8	Conjoined bearing-S6904RS-18-37 (x1)
9	72500101-9	Potentiometer fixing column-high (x1)
10	72500101-10	Chenille head upper cover (x1)
11	72500101-11	Chenille head switch board (x1)
12	72500101-12	Head box of high-speed chenille machine (x1)
13	72500101-13	Inner circlip-30 (x1)
14	72500101-14	Bearing-18307R-18-30 (x1)
15	72500101-15	Bearing flange sleeve (x1)
16	72500101-16	Side plate of high-speed chenille machine head (x1)

High-Speed Chenille Machine Head #2



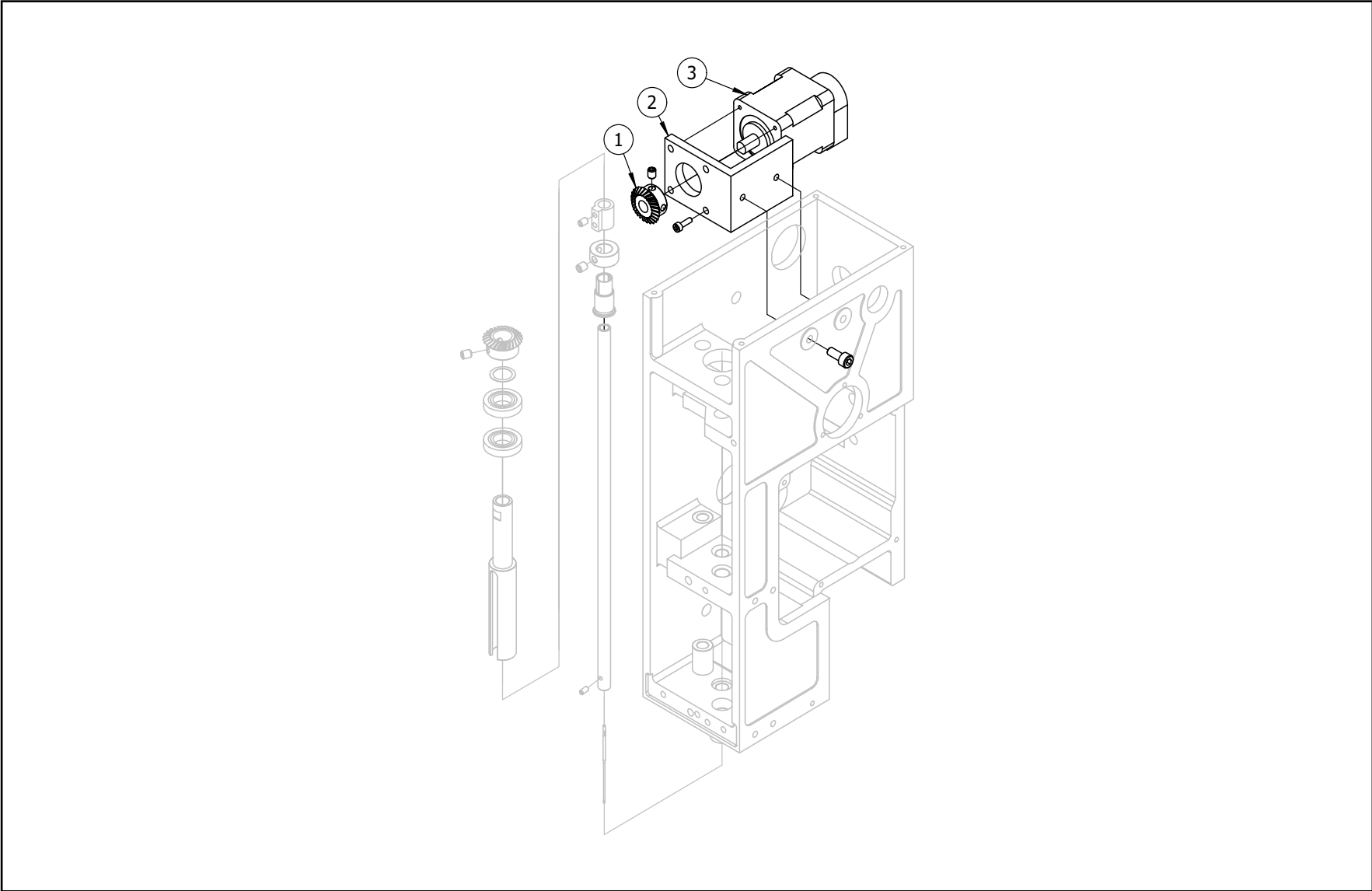
High-Speed Chenille Machine Head #2 Parts

Part Number		Description
1	72500124	Oil box 2 (x1)
2	72500101-17	Chenille needle-16# (x1)
3	72500101-18	Needle bar fastening sleeve (x1)
4	72500101-19	Locking ring of needle bar fastening sleeve (x1)
5	72500101-20	Needle bar-high speed chenille (x1)
6	72500101-21	Needle bar guide sleeve (x1)
7	72500101-22	Oil pipe (x2)
8	72500101-23	Connector of oil pipe (x4)
9	72500101-24	Needle bar sleeve (x1)
10	72500101-25	Bearing-F6901Z-12-24 (x2)
11	72500101-26	Needle bar bevel gear gasket (x1)
12	72500101-27	Bevel gear-25 gears-12mm (x1)
13	72500101-29	Bevel gear-25 gears-8mm (x2)
14	72500101-30	Bearing-608-8-22 (x2)
15	72500109	Oil box 1 (x1)

High-Speed Chenille Machine Head #2 Parts

Part Number		Description
16	72500101-31	D-shaft bevel gear base (x1)
17	72500101-32	Bevel gear shaft-8mm (x1)
18	800315****	Shaft-15mm (x1)
19	72500111	Bevel gear-25 gears-15mm (x1)
20	72500101-33	Conjoined bearing-S6903RS-15-30 (x1)
21	72500101-34	Greasy blockage (x1)
22	80880403	Fixing screw of Chenille needle-M4X3-high speed machine (x1)

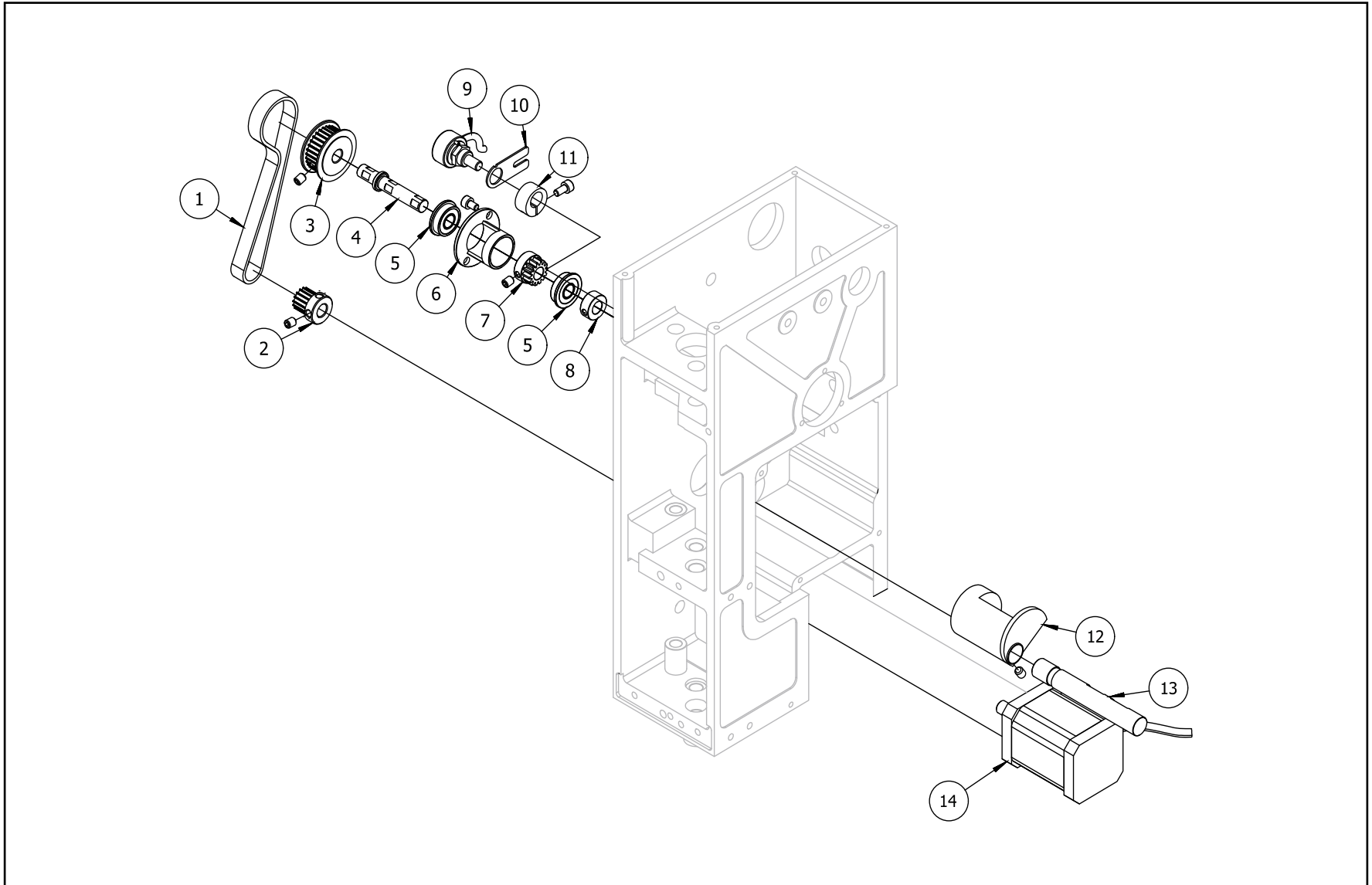
Low-Speed Chenille Machine D-Shaft Drive Parts



Low-Speed Chenille Machine D-Shaft Drive Parts

Part Number		Description
1	72500101-29	Bevel gear-25 gears-8mm (x1)
2	72500101-B-1	Motor mounting base (x1)
3	4016010100	Motor-42D48C1206Y-1514AB-1300 (x1)

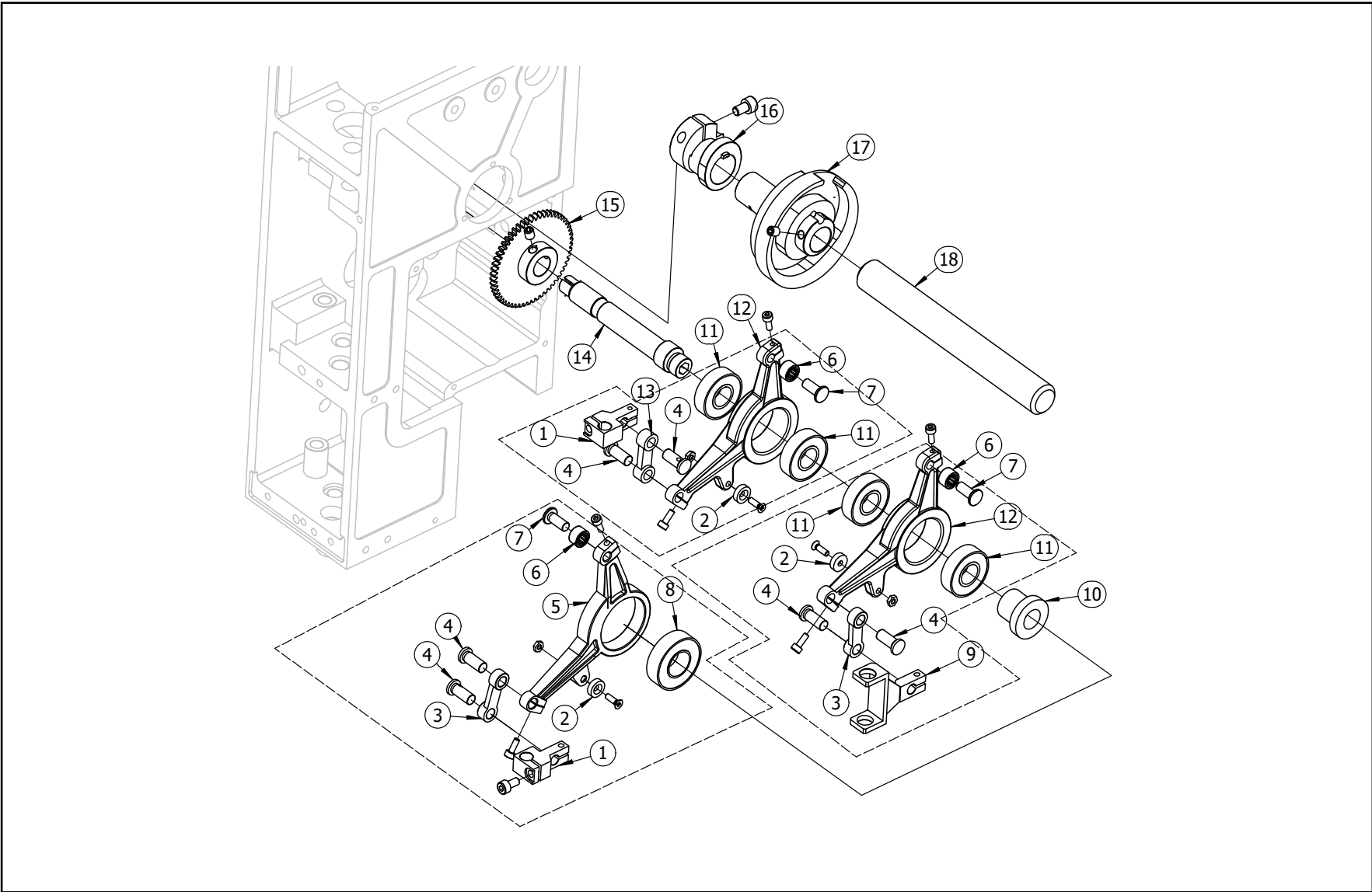
High-Speed Chenille Machine Head



High-Speed Chenille Machine Head Parts

Part Number		Description
1	72500101-35	Needle-height belt-HTD3M-273mm (x1)
2	72500101-36	Needle-height motor pulley-S3M-15-12-8mm (x1)
3	72500101-37	Needle-height pulley-S3M-30-11-8mm (x1)
4	72500101-38	Needle-height pulley shaft-8mm (x1)
5	72500101-39	Flanged bearing-F-1980-8-19 (x2)
6	72500101-40	Needle-height gear deceleration steel sleeve (x1)
7	72500101-41	Needle-height motor gear-14 gears (x1)
8	72500101-42	One-hone retaining ring-8mm (x1)
9	80333703	Potentiometer-WDD22P1-S00 (x1)
10	72500101-43	Potentiometer stator (station position) (x1)
11	72500101-44	Needle-height potentiometer fixing ring (x1)
12	72500101-47	Needle-height cam (x1)
13	72500101-48	Needle-height camshaft (x1)
14	72500101-49	Needle-height motor-42D60C1206-20AD-1500 (x1)

High-Speed Chenille Machine Head #4



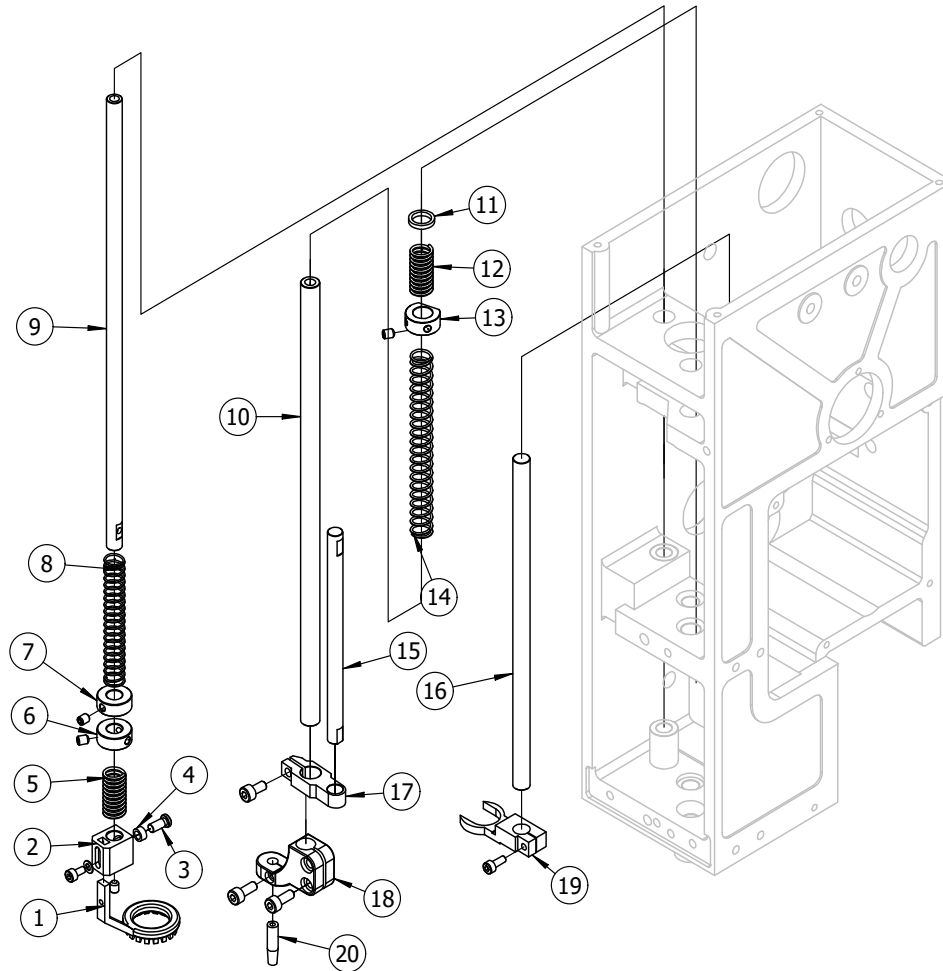
High-Speed Chenille Machine Head #4 Parts

Part Number		Description
1	72500101-50	Needle bar drive shaft lock block (x2)
2	72500101-51	Actuating arm steel sleeve with pin (x3)
3	72500101-52	Actuating arm connecting rod A-21-6mm (x2)
4	72500101-53	Actuating arm connecting rod pin (x6)
5	72500101-54	Actuating arm-15mm (x1)
6	72500101-55	Column head needle bearing (x3)
7	72500101-56	Column head pin (x3)
8	72500101-57	Bearing-6002DU-15-32 (x1)
9	72500101-58	Needle nozzle drive shaft lifting bracket (x1)
10	72500101-59	Actuating arm spacer ring (x1)
11	72500101-60	Bearing-6001Z-12-28 (x4)
12	72500101-61	Actuating arm-12mm (x2)
13	72500101-62	Actuating arm connecting rod B-12-6mm (x1)
14	72500101-63	Needle-height eccentric shaft-12mm (x1)
15	72500101-64	Needle-height gear-56 gears (x2)

High-Speed Chenille Machine Head #4 Parts

Part Number		Description
16	72500102-2	Chenille main shaft cam fastening ring (x1)
17	72500102-1	Chenille main shaft cam-18mm (x1)
18	80031518**	Shaft-18mm (x1)

High-Speed Chenille Machine Head #5



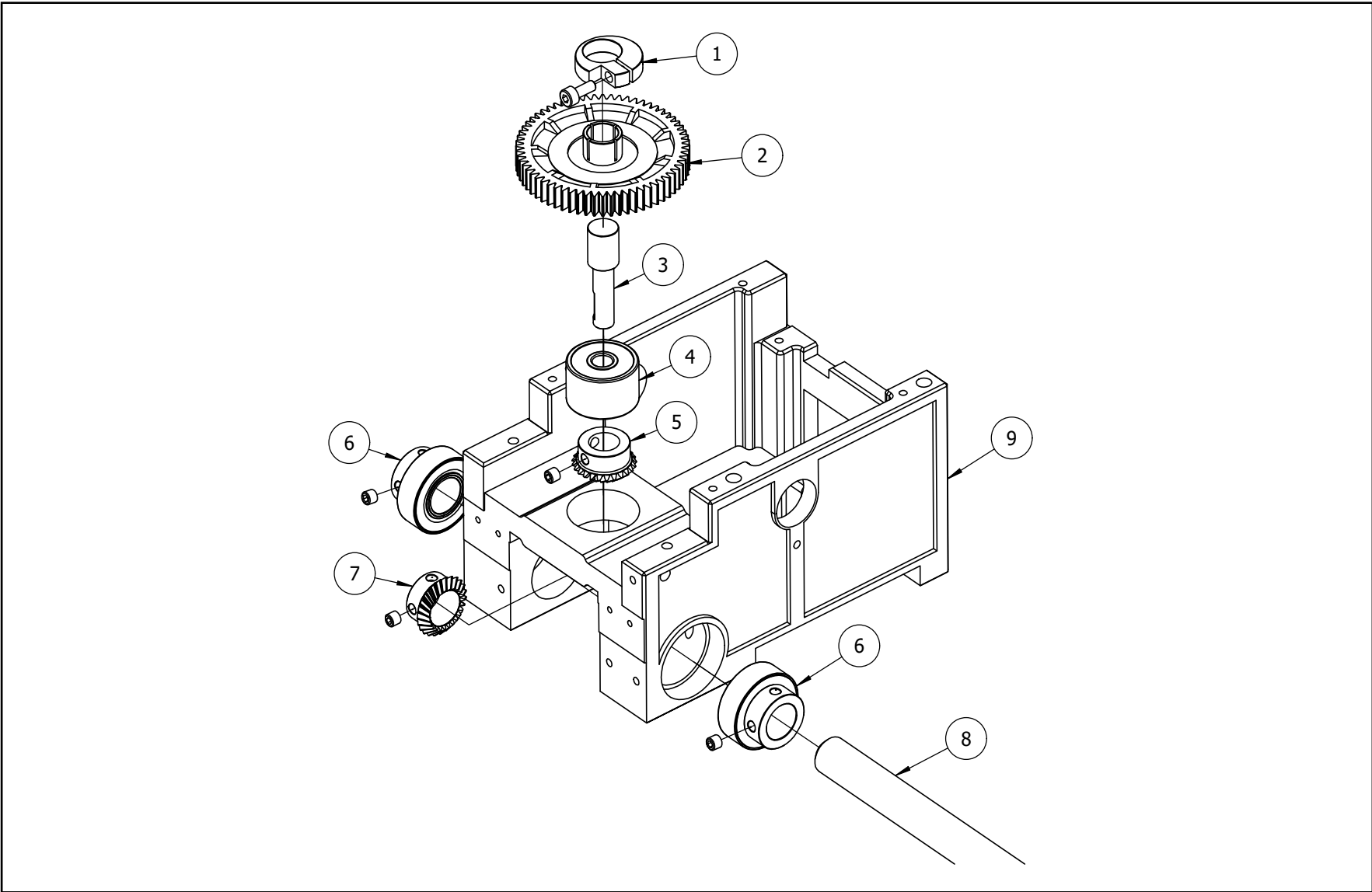
High-Speed Chenille Machine Head #5 Parts

Part Number		Description
1	72500101-65	Chenille presser foot (x1)
2	72500101-66	Chenille presser foot fixing block (x1)
3	72500101-67	Guide column head of Chenille presser foot fixing block (x1)
4	72500101-68	Rubber ring of column head (x1)
5	72500101-69	Buffer spring of presser foot fixing block (x1)
6	72500101-70	Retaining ring of presser foot shaft (x1)
7	72500101-71	Inner retaining ring of presser foot shaft (x1)
8	72500101-72	Spring of presser foot shaft (x1)
9	72500101-73	Chenille presser foot shaft (x1)
10	72500101-74	Needle nozzle shaft (x1)
11	72500101-75	Rubber ring of needle nozzle drive shaft (x1)
12	72500101-76	Buffer spring of needle nozzle drive shaft (x1)
13	72500101-77	Retaining ring of needle nozzle drive shaft (x1)
14	72500101-78	Needle nozzle reset spring (x1)
15	72500101-79	Needle nozzle guide shaft (x1)

High-Speed Chenille Machine Head #5 Parts

	Part Number	Description
16	72500101-80	Needle bar drive shaft (x1)
17	72500101-81	Needle nozzle shaft connecting lock block (x1)
18	72500104-1	Needle nozzle fixing bracket (x1)
19	72500101-82	Needle bar lifting fork (x1)
20	72500104-2	Chenille needle nozzle -1.3 (x1)
	72500104-3	Chenille needle nozzle -1.5 (x1)

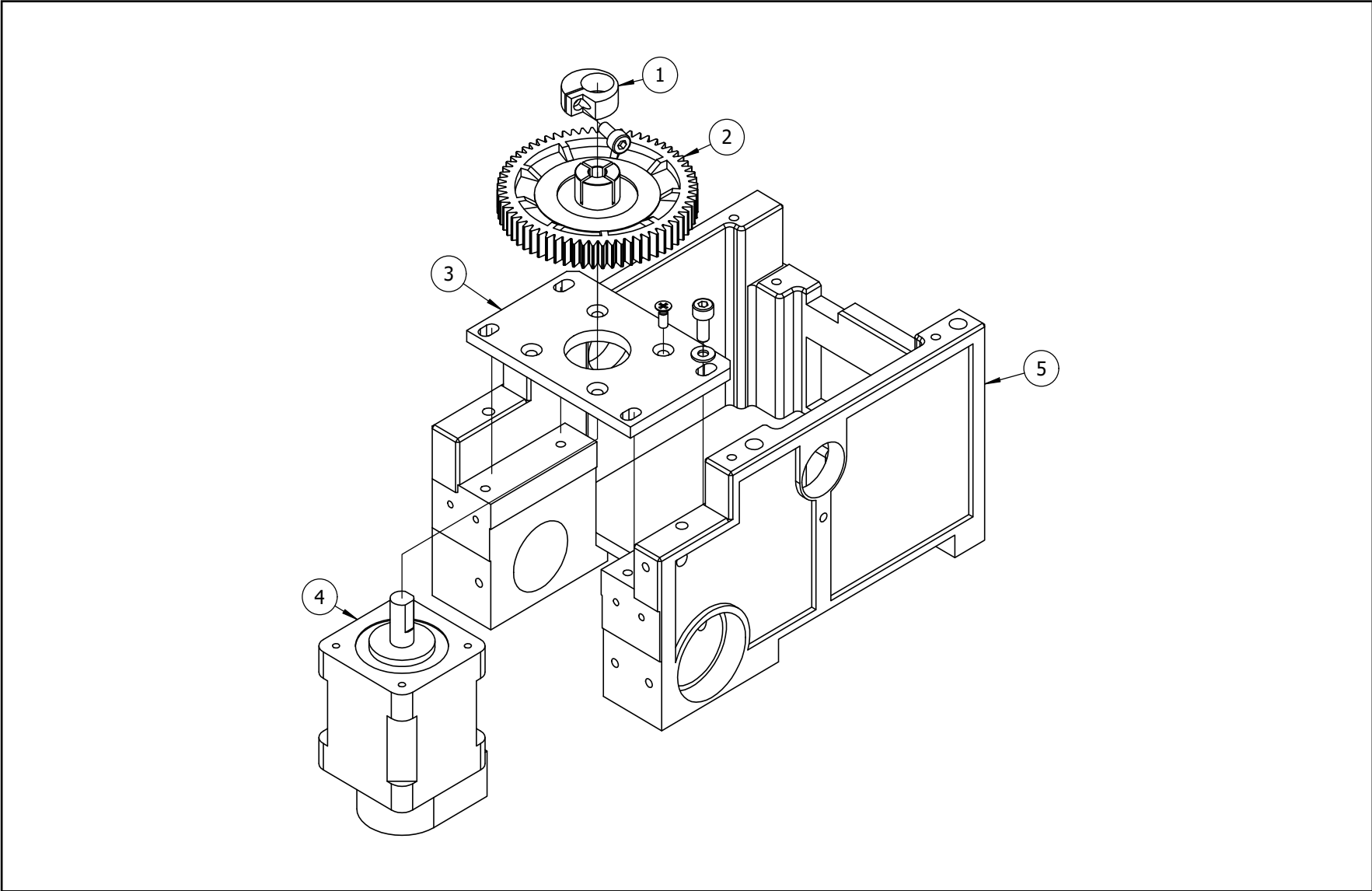
High-Speed Chenille Centralized Looping Parts



High-Speed Chenille Centralized Looping Parts

Part Number		Description
1	72500110-1	Big rotating gear holding ring (x1)
2	72500110-2	Big rotating gear (x1)
3	72500110-3	H-shaft bevel gear shaft (x1)
4	72500110-4	Double bearing-638-8-28-B17.5 (x1)
5	72500110-5	Bevel gear-25-12mm (x1)
6	72500110-6	Conjoined bearing-S6904RS-15-32 (x2)
7	72500110-7	Bevel gear-25-15mm (x1)
8	80031515**	Shaft-15mm (x1)
9	72500110-9	Loop shuttle box-centralized looping (x1)

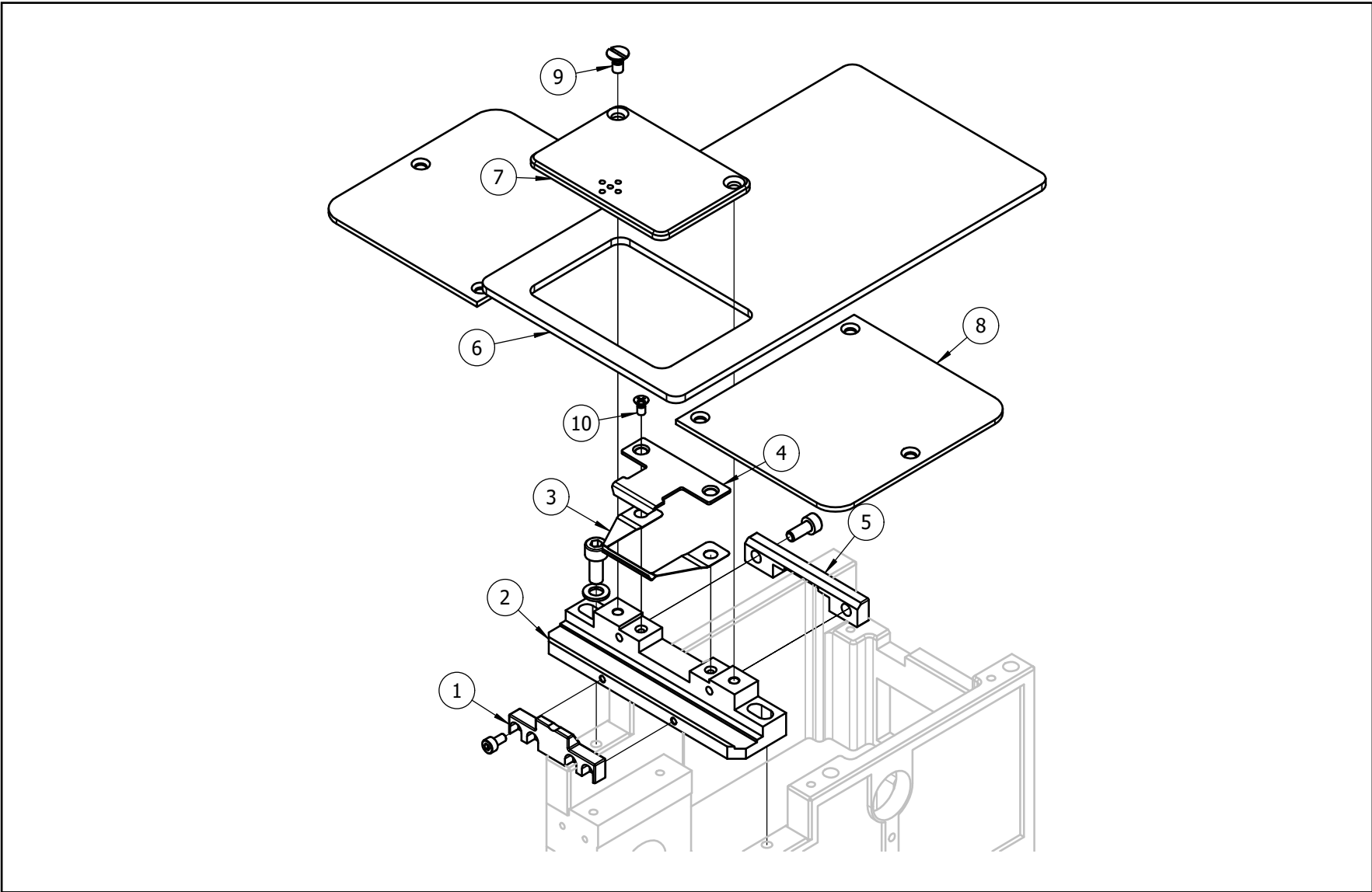
Low-Speed Chenille Independent Looping Part



Low-Speed Chenille Independent Looping Parts

	Part Number	Description
1	72500110-B-1	Retaining ring of rotating motor shaft (x2)
2	72500110-B-2	Big rotating gear (x1)
3	72500110-B-3	Mounting plate of loop shuttle rotating motor (x1)
4	4016010100	Motor-42D48C1206Y-1914AB-1300 (x1)
5	72500110-B-4	Loop shuttle box-independent looping (x1)

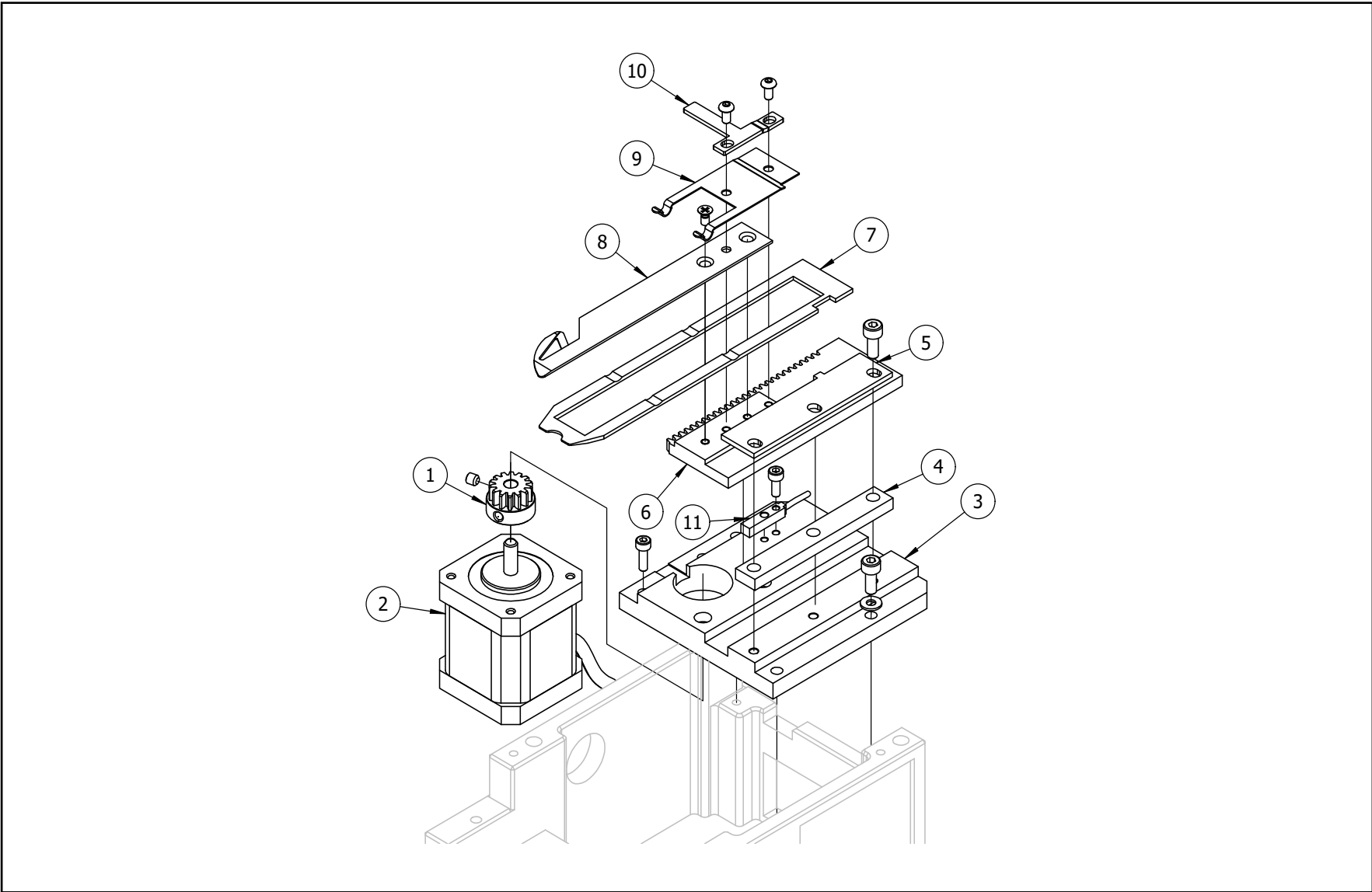
Chenille Trimming Parts #1



Chenille Trimming Parts #1

Part Number	Description
1	72500110-10 Ejector block of hook (x1)
2	72500110-11 Small needle plate base-chenille (x1)
3	72500110-12 Spring piece of chenille knife (x1)
4	72500110-13 Chenille knife (x1)
5	72500110-14 Sejector block of hook (x1)
6	72500114 Big needle plate2 (x1)
7	72500116 Small needle plate (x1)
8	72500115 Medium needle plate (x2)
9	80924131 Needle plate screw 11/64×6 (x2)
10	80865306 Countersunk Philip's head screw M3×6 (x2)

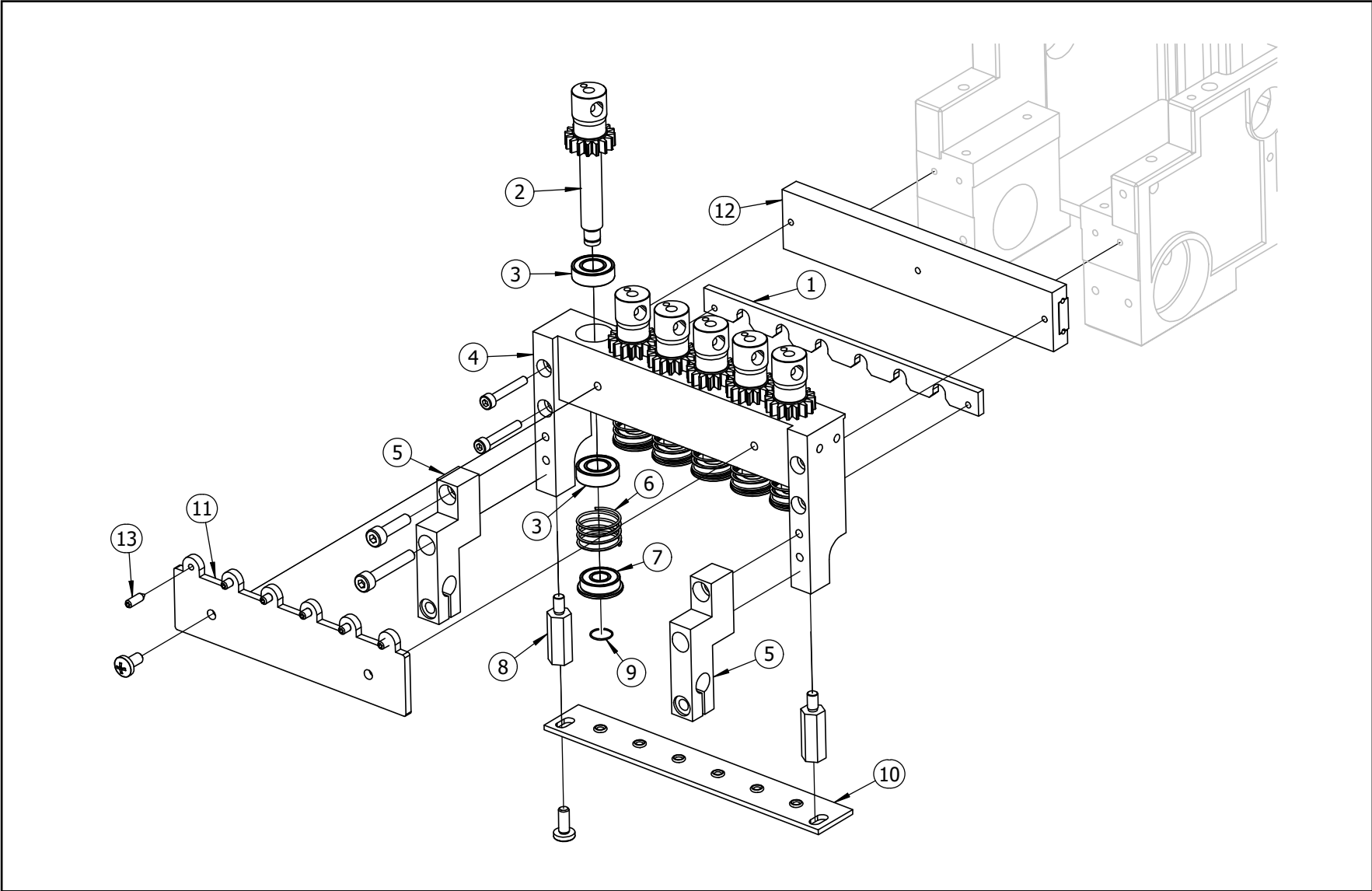
Chenille Trimming Parts #2



Chenille Trimming Parts #2

Part Number		Description
1	72500110-15	Trimming motor gear-14 gears (x1)
2	72500110-16	Trimming motor-42BYGH270-09A (x1)
3	72500110-17	Chenille knife base (x1)
4	72500110-18	Chenille knife pressing plate pad (x1)
5	72500110-19	Chenille knife pressing plate (x1)
6	72500110-20	Knife rack (x1)
7	72500110-21	Knife guide plate (x1)
8	72500110-22	Chenille knife (x1)
9	72500110-23	Pressing sheet of knife guide plate (x1)
10	72500110-24	Knife induction iron sheet (x1)
11	80333603	Proximity switch-SP12-04N (x1)

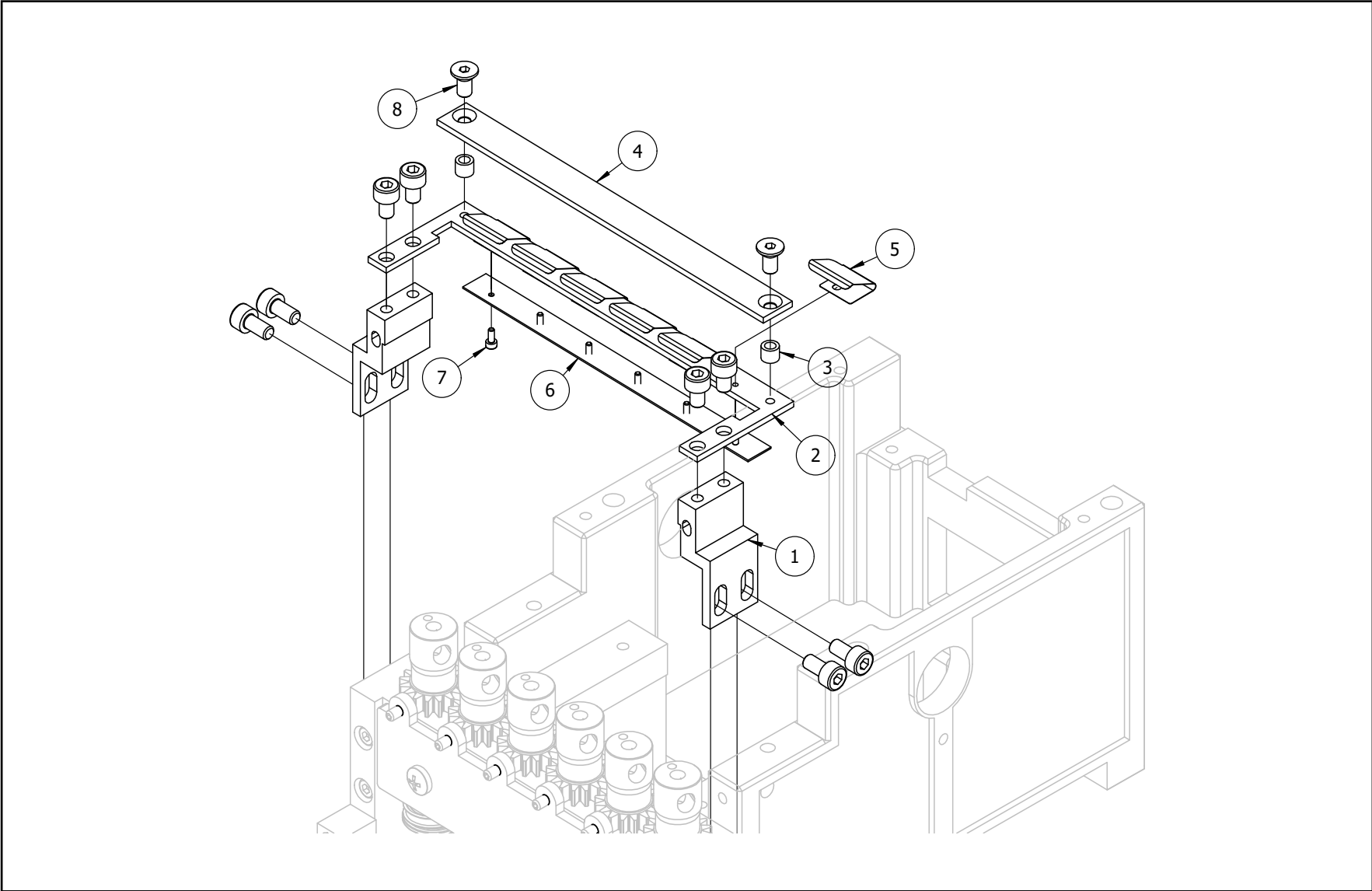
Chenille Loop Shuttle Frame



Chenille Loop Shuttle Frame Parts

Part Number		Description
1	72500110-25	Bar-6 needles (x1)
2	72500110-26	Loop shuttle (x6)
3	72500110-27	Bearing-687-8-16 (x12)
4	72500110-28	Loop shuttle frame-6 needles (x1)
5	72500118	Color changing chuck (x2)
6	72500110-27	Reset spring (x6)
7	72500110-28	Flanged bearing-F696-6-15 (x6)
8	72500110-29	Hexagon stud of thread passing plate (x2)
9	72500110-30	Circlip (x6)
10	72500117	Thread passing plate-6 needles (x1)
11	72500110-31	Needle position plate-6 needles (x1)
12	72500110-32	Guide rail of loop shuttle frame -6 needles -1 type (x6)
13	72500110-33	Tapered hexagonal set screw M3×8 (x1)

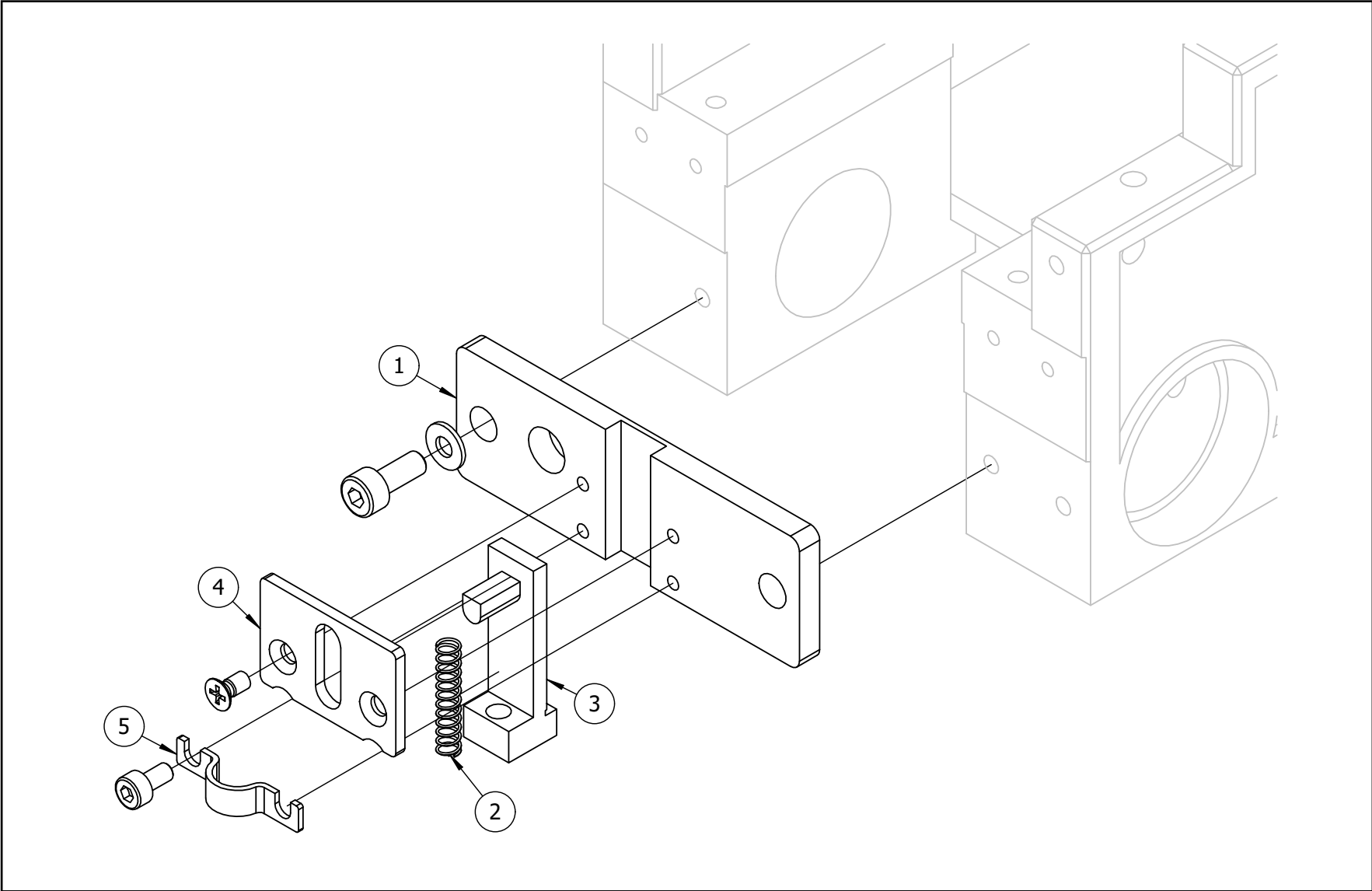
Chenille Thread Clamp



Chenille Thread Clamp Parts

Part Number	Description
1	72500113-1 Bracket fixing block of chenille thread frame (x2)
2	72500113-2 Bracket of chenille thread clamp (x1)
3	72500113-3 Spring piece pressing plate washer of chenille thread clamp (x2)
4	72500113-4 Spring piece pressing plate of chenille thread clamp-6 needles (x1)
5	72500113-5 Spring piece of chenille thread clamp (x6)
6	72500113-6 Spring piece fixing plate of chenille thread clamp (x1)
7	80740203 Countersunk Philip's head screw M2×3- stainless steel (x6)
8	80865306 Countersunk hexagon socket head cap screw M3×6- Black (x2)

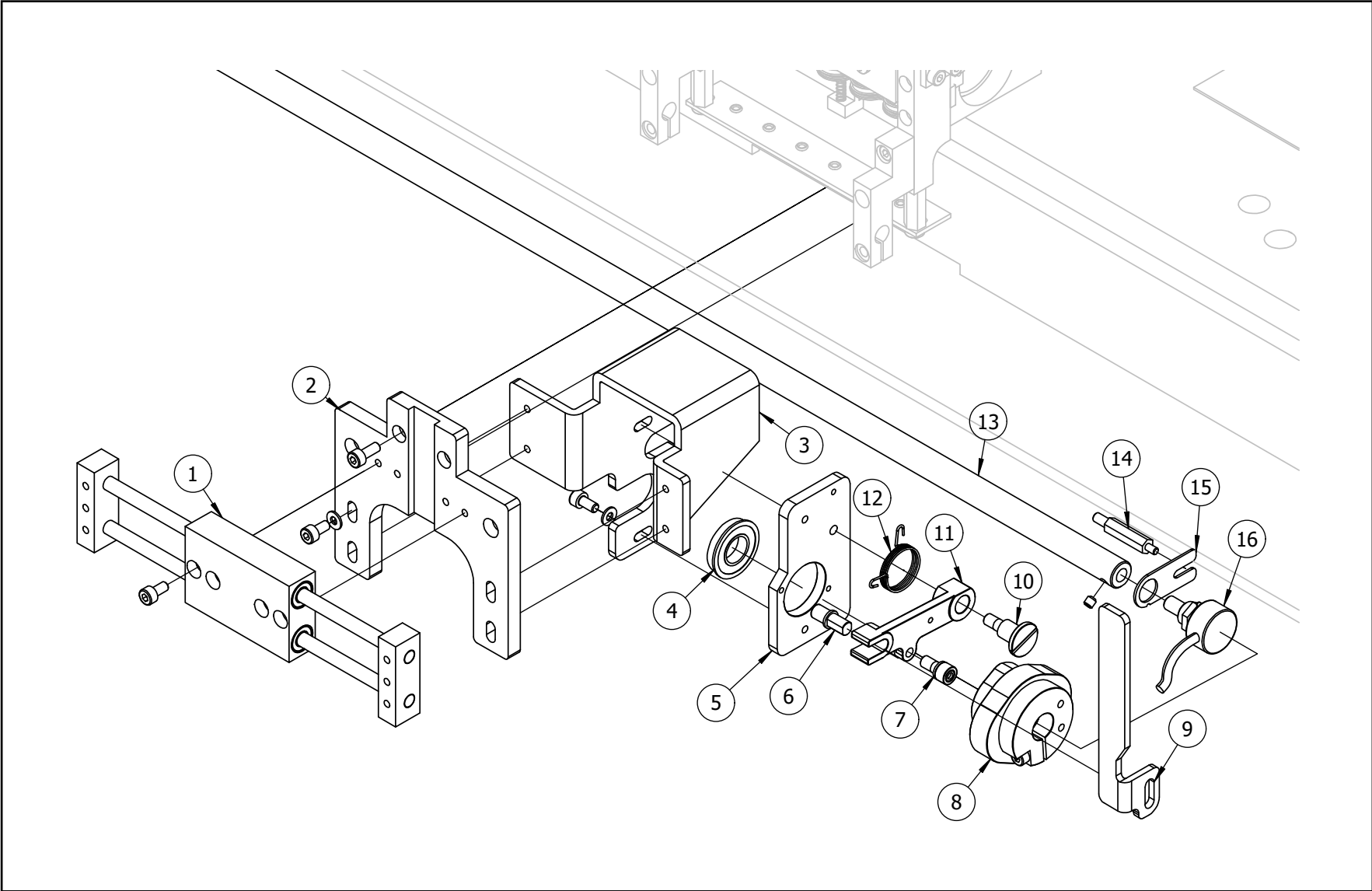
Chenille Thread Loosening Parts #1



Chenille Thread Loosening Parts #1

Part Number		Description
1	72500120-1	Guide bottom plate of Loop shuttle ejector block (x1)
2	72500120-2	Reset spring of ejector block (x1)
3	72500120-3	Loop shuttle ejector block (x1)
4	72500120-4	Pressing plate of loop shuttle ejector block (x1)
5	72500120-5	Hoop of ejector block reset spring (x1)

Chenille Thread Loosening Parts #2



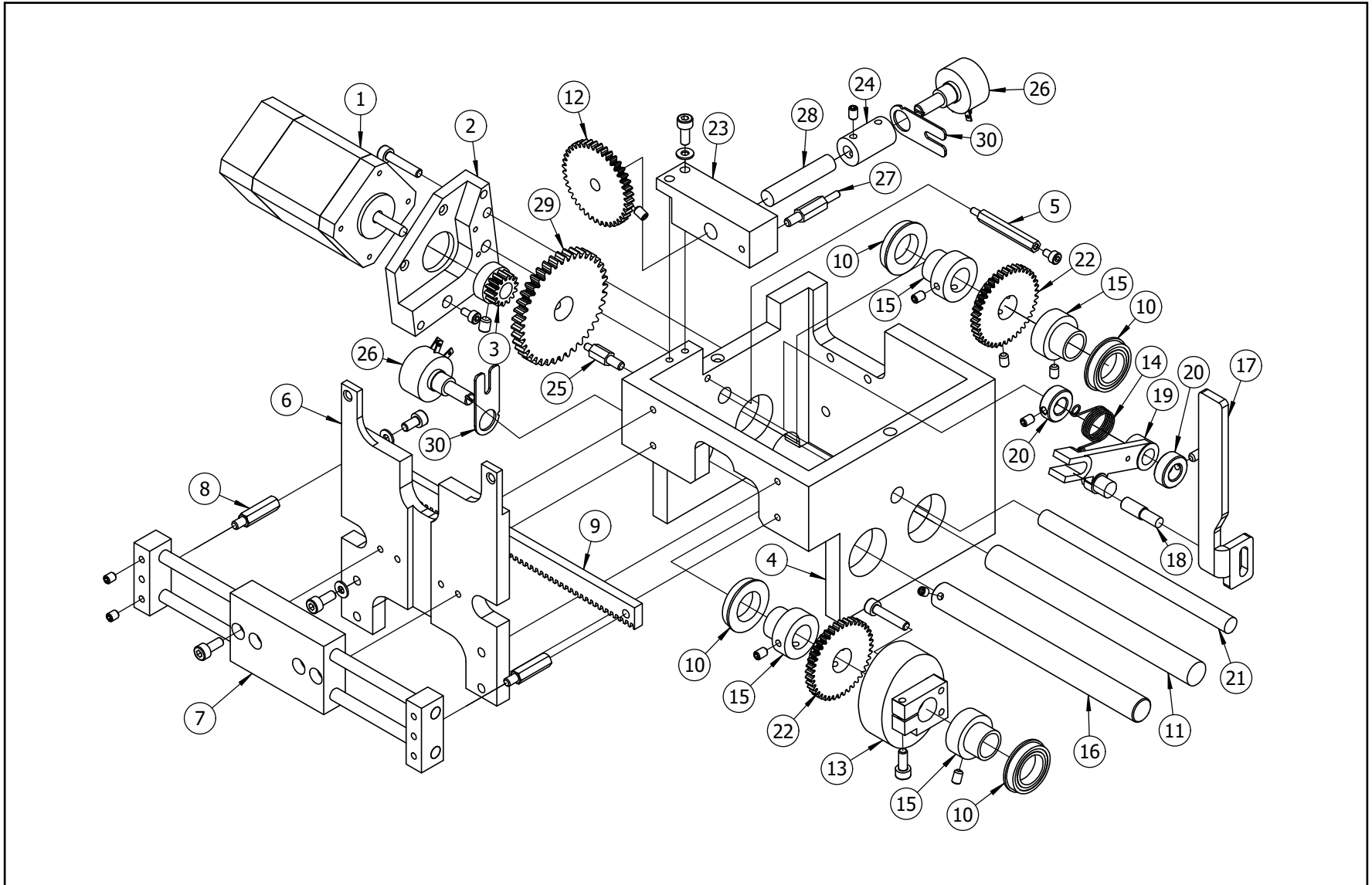
Chenille Thread Loosening Parts #2

Part Number		Description
1	72500120-6	Guide rail of thread tension base-6 needles (x1)
2	72500120-7	Bottom plate of guide rail (x1)
3	72500120-8	Mounting plate bracket of thread loosening bearing (x1)
4	72500120-9A	Bearing-F6901Z-12-24 (x1)
	72500120-9B	Bearing-F6902Z-15-24 (x1)
5	72500120-10	Mounting plate of thread loosening bearing (x1)
6	72500120-11	Column head of lifting fork (x1)
7	72500120-12	Column head of thread loosening cam (x1)
8	72500121-1A	Thread loosening cam-12mm (x1)
	72500121-1B	Thread loosening cam-15mm (x1)
9	72500120-13	Loop shuttle ejector block-lower (x1)
10	72500120-14	Lifting fork pin (x1)
11	72500120-15	Lifting fork (x1)
12	72500120-16	Reset torsional spring of lifting fork (x1)
13	72500120-17	Thread loosening potentiometer shaft (x1)

Chenille Thread Loosening Parts #2

	Part Number	Description
14	72500101-9	Potentiometer fixing column-High (x1)
15	72500101-44	Potentiometer stator (x1)
16	80333703	Potentiometer-WDD22P1-S00 (x1)

Low-Speed Chenille Machine Integrated Thread Loosening Part



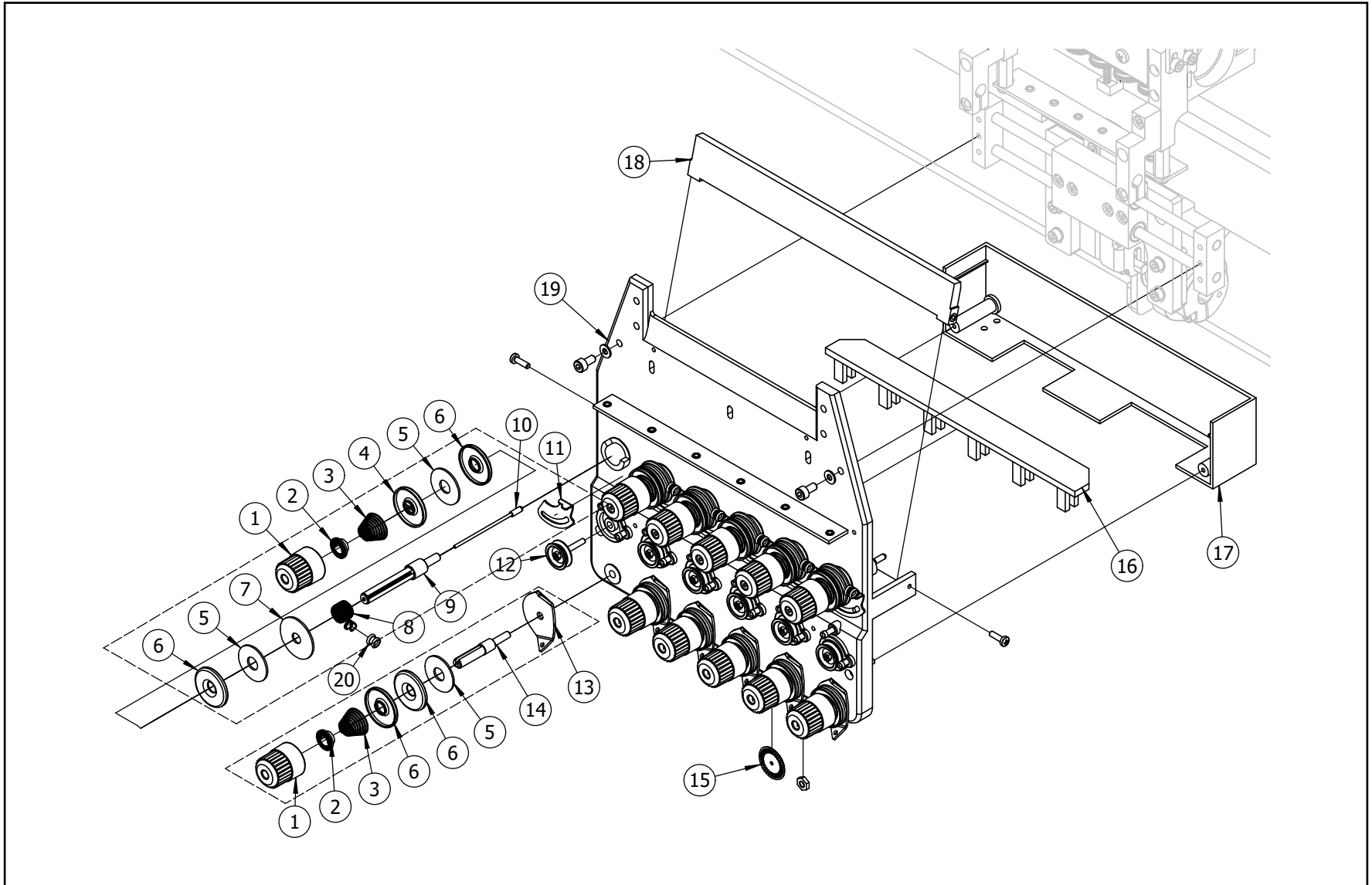
Low-Speed Chenille Machine Integrated Thread Loosening Parts

Part Number		Description
1	80304262	Stepper motor-42HF62-106-01-L1200 (x1)
2	05020303-1	Thread loosening motor base (x1)
3	05020303-2	Drive gear of thread loosening motor-M1_Z14_H6 (x1)
4	05020303-3	Integrated thread loosening base box (x1)
5	05020303-4	Hexagonal column-10-M5x6- Hole M4 (x1)
6	05020303-5	Bottom plate of guide rail (x1)
7	05020303-6	Guide rail of thread tension base (x1)
8	05020303-7	Hexagonal column-16-M4x6- Hole M4 (x2)
9	05020303-8	Color changing rack-M1-Z40 (x1)
10	05020303-9	Flanged bearing-F6802Z-15-24 (x4)
11	05020303-10	Gear shaft-12mm (x1)
12	05020303-11	Color changing gear-M1_Z40_H4 (x1)
13	05020303-12	Thread loosening cam component (x1)
14	05020303-13	Lifting reset torsional spring (x1)
15	05020303-14	Shaft sleeve-12mm (x4)

Low-Speed Chenille Machine Integrated Thread Loosening Parts

Part Number		Description
16	05020303-15	Thread loosening camshaft-12mm (x1)
17	05020303-16	Top plate (x1)
18	05020303-17	Top plate column head D8X12-M5X10 (x1)
19	05020303-18	Lifting fork (x1)
20	05020303-19	One-hole retaining ring (x2)
21	05020303-20	Lifting fork shaft-8mm (x1)
22	05020303-21	Drive gear (x2)
23	05020303-22	Potentiometer mounting base (x1)
24	05020303-23	Shaft sleeve-6mm (x1)
25	05020303-24	Potentiometer fixing column-Short (x1)
26	80333703	Potentiometer-WDD22P1-S00 (x2)
27	05020303-25	Potentiometer fixing column-Long (x1)
28	05020303-26	Connecting shaft-8mm (x1)
29	05020303-27	Big drive gear (x1)
30	72500101-44	Potentiometer stator (x2)

Chenille Thread Tension Base



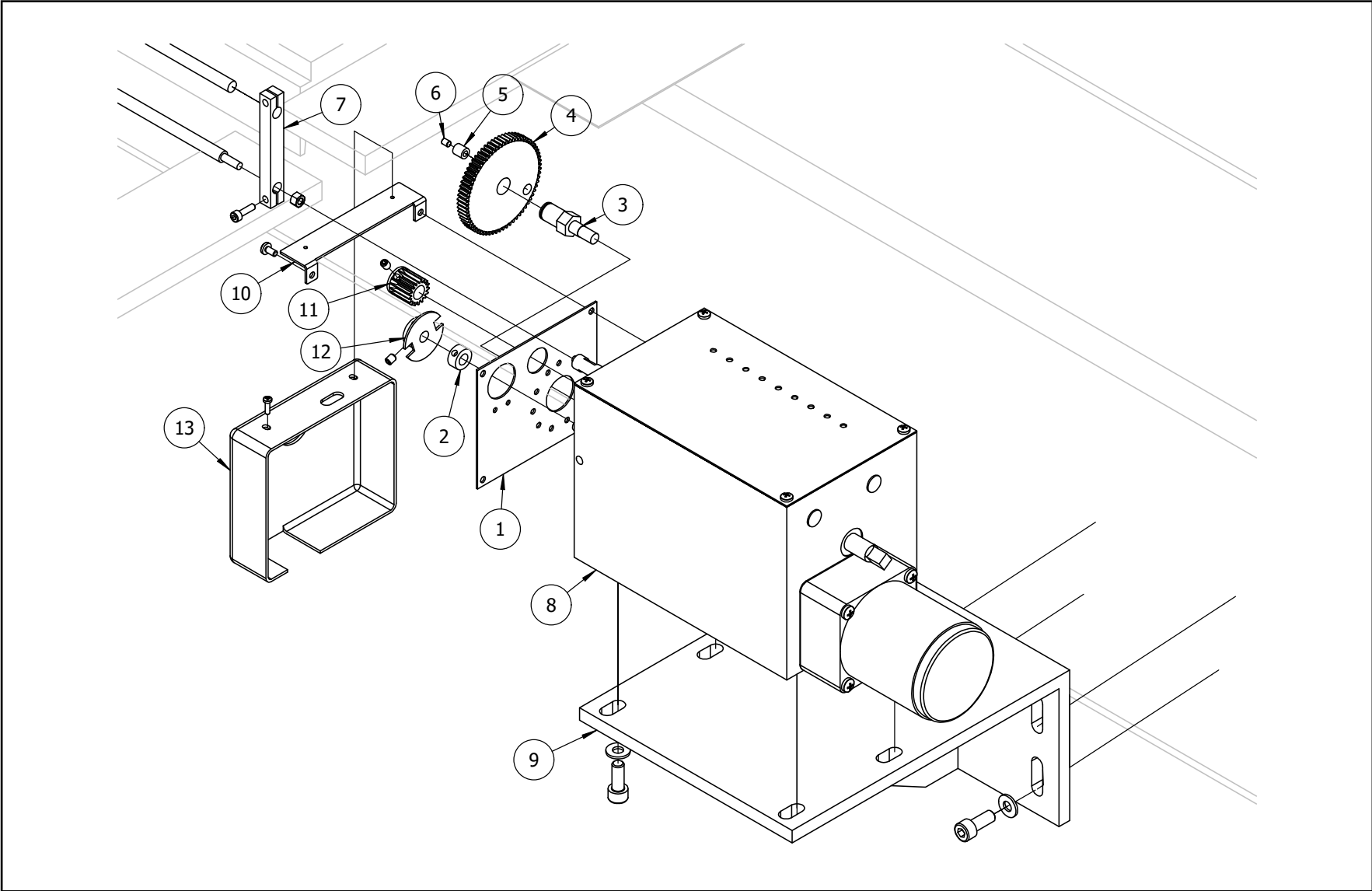
Chenille Thread Tension Base Parts

Part Number			Description		
1	05020280-1	Big knob (x12)			
2	05020280-2	Lock washer of knob (x12)			
3	05020280-3	Tension spring (x12)			
4	05020280-4	Thread pressing piece of knob-up (x6)			
5	05020280-5	Cotton pad (x18)			
6	05020280-6	Thread pressing piece of knob-down (x24)			
7	05020280-7	Big knob gasket (x6)			
8	05020280-8	Take-up spring (x6)			
9	05020280-9	Big knob column (x6)			
10	05020280-10	Thread loosening thimble (x6)			
11	05020280-11	Take-up spring stopper (x6)			
12	05020280-12	Chopping wheel (x6)			
13	05020280-13	Thread passing gasket of big knob (x6)			
14	05020280-14	Small column of big knob (x6)			
15	05020280-15	Chopping wheel blade-35 gears (x6)			

Chenille Thread Tension Base Parts

Part Number		Description
16	05020280-16	6-needle loop embroidery sensor board-ML635 (x1)
17	05020280-17	6-needle chenille thread tension base cover (x1)
18	05020280-18	6-needle chenille thread tension base baffle (x1)
19	05020280-19	Lifting fork (x1)
20	05020280-20	Thread passing sleeve of take-up spring (x6)

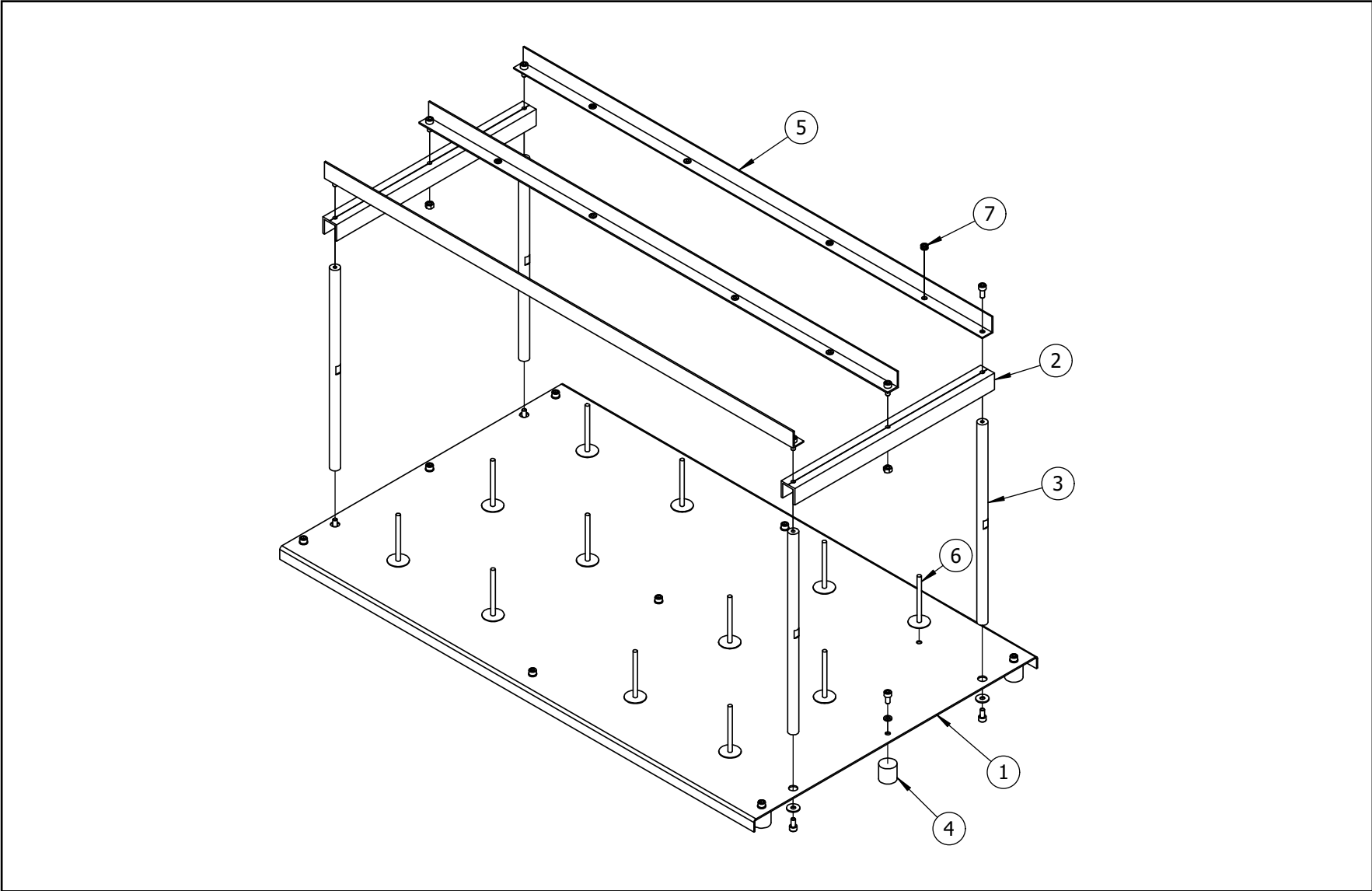
Chenille Color Changing Parts



Chenille Color Changing Parts

Part Number	Description
1	72500204-8 Loop embroidery needle position plate-6 (x1)
2	72500204-1 Semi-rotating washer (x1)
3	72500204-2 Needle position gear shaft (x1)
4	72500204-3 Needle position gear-68 gears (teeth) (x1)
5	72500204-9 Color changing magnet sleeve (x1)
6	72500204-10 Color changing magnet (x1)
7	72500223 Chenille color changing adapter chuck-8mm (x1)
8	72500204 Chenille color changing box-6 needles (x1)
9	72500222 Chenille color changing box base (x1)
10	72500204-7 Color changing box cover bracket (x1)
11	72500204-4 Main shaft drive pinion-17 mm (Main shaft rotating gear 17mm) (x1)
12	72500204-5 Semi-rotating light blocker (x1)
13	72500204-6 Plastic cover of color changing box (x1)

Chenille Thread Stand



Chenille Thread Stand Parts

Part Number		Description
1	019021****	Bottom plate of thread stand (x1)
2	019031****	Bracket of chenille thread stand (x2)
3	01903101	Column of thread stand (Thread stand post) (x4)
4	80030424	DE rubber pad (N)
5	019031****	Thread stand (Thread rack rail) (N)
6	05020401	Thread spool post (N)
7	80628133	Thread passing porcelain sleeve of thread stand (Thread passing eyelid) (N)