



PARTS BOOK

THINK BEYOND

Table of Contents

01.Machine Body and Covers-MT1	03	1	14.Y Axis Drive-I	31	14
02.Machine Body and Covers-MT2	05	3	15.Y Axis Drive-II	33	15
03.Machine Stand-MT	07	2	16.X Axis Drive-MT1	35	16
04.Main Shaft-MT	09	4	17.X Axis Drive-MT2	37	17
05.Lower Shaft Arm-MT	11	5	18.Spool Plate and Thread Stand-MT	39	18
06.Machine Head-I	15	6	19.Thread Tension Base	41	19
07.Machine Head-II	17	7	20.Thread-Tension Base-20	43	20
08.Needle Bar Case I	19	8	21.Electronic Components-7S	45	22
09.Needle Bar Case II	21	9	22.Electronic Components-8S	49	21
10.Color Change System-MT	23	10	23.Frames and Bracket	53	23
11.Color Change System - Half Turn	25	11	24.Cap Driver-MT	55	24
12.Trimming-MT1	27	12	25.Flat Embroidery Table	57	25
13.Trimming-MT2	29	13	26.Extension Table MT-4814-1	59	26

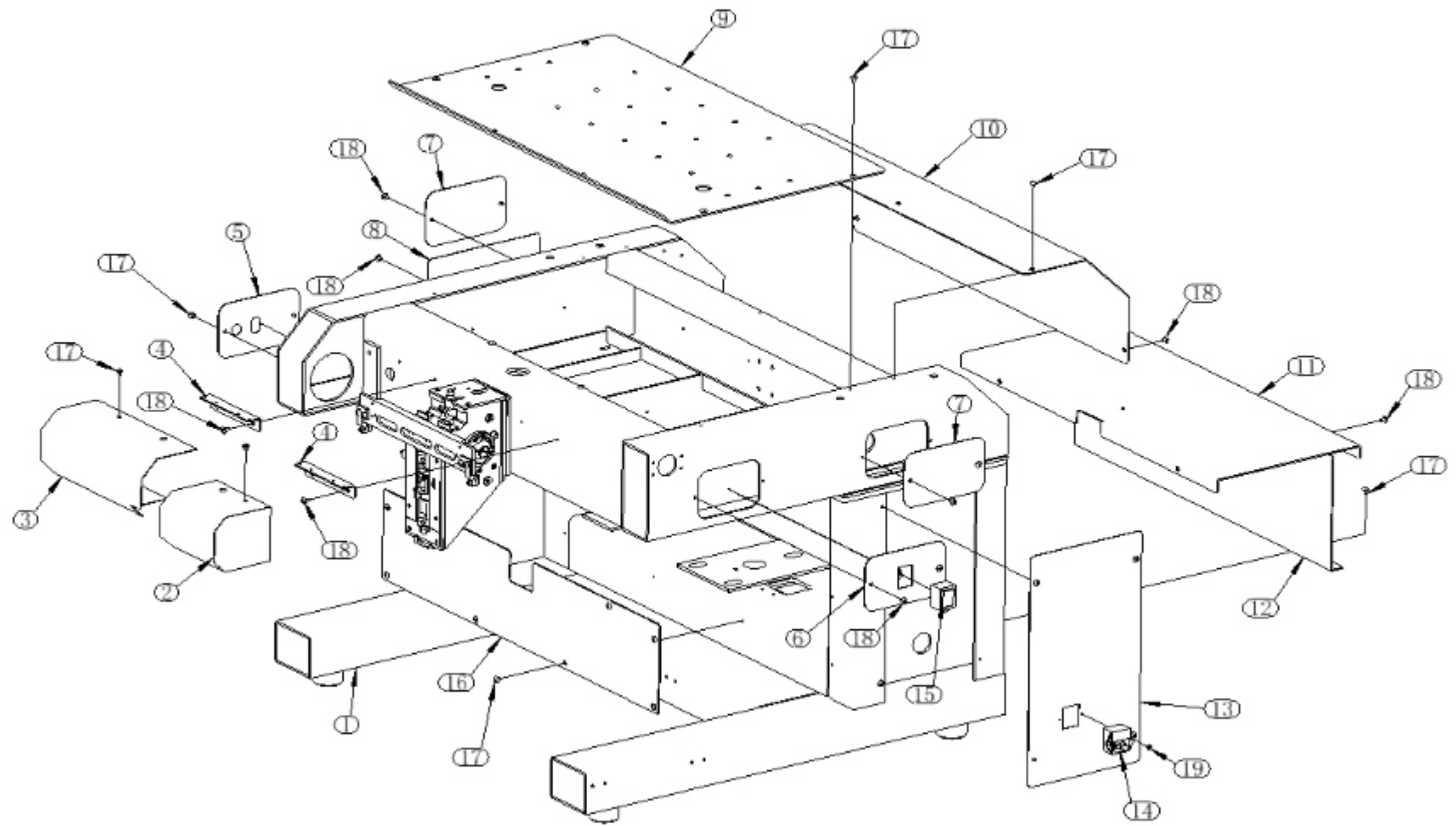
The parts book is suitable for MT series single head and 2 heads machine. If you find “***” symbol in the Remark column, it means that there are changes on the part. You can click it for detailed information.

The final interpretation right of this parts book is owned by the issuer. The parts book is for machine customers only, and may not be distributed to users without a machine, and may not be used for other commercial purposes without prior permission.

Version Number: 200411V2.0

Issuing date: April, 2020

The copyright belongs to the issuer.

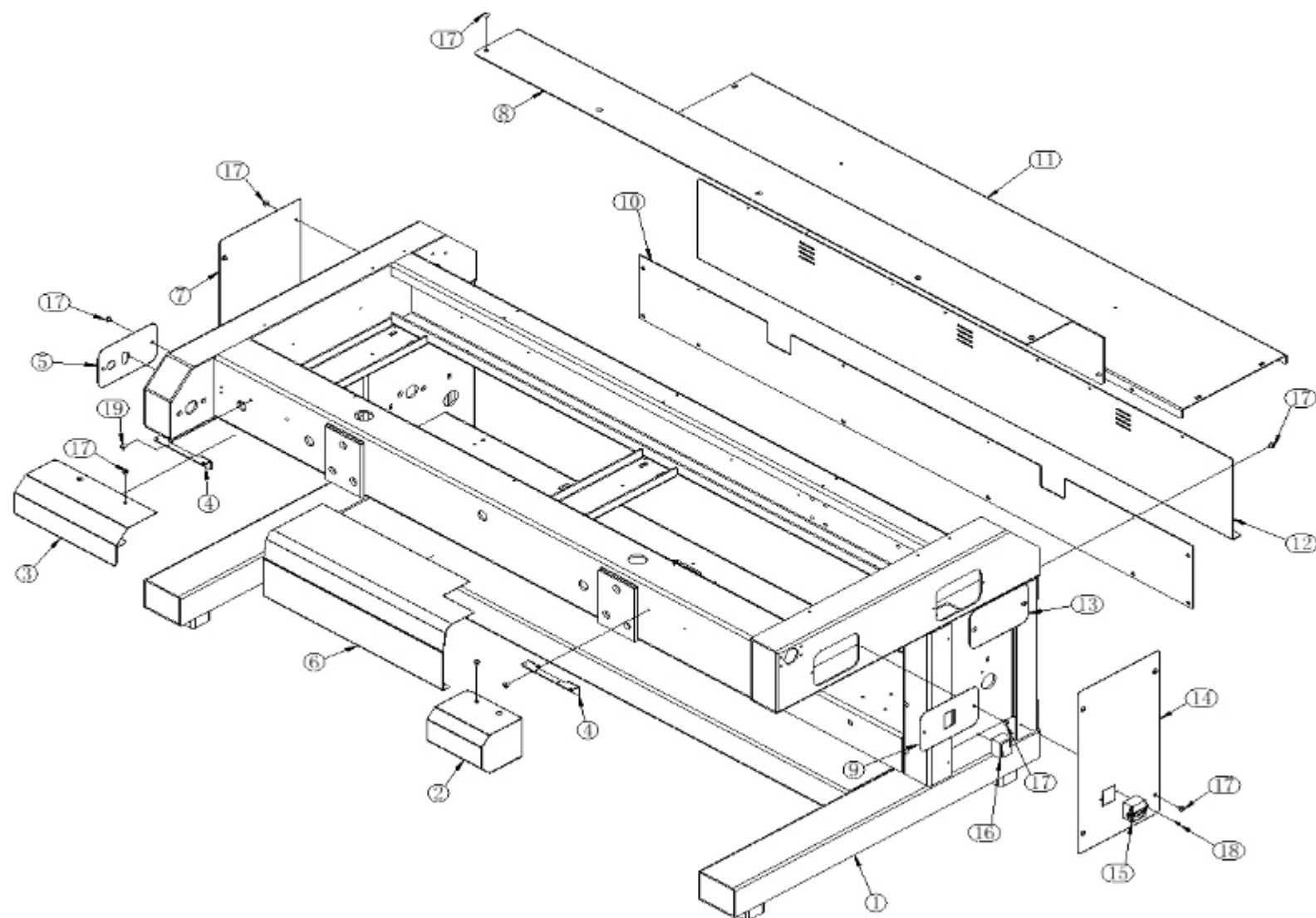




01.Machine Body and Covers-MT1

NO.	Serial NO.	Part Name	Remark
1	3011100101	Upper Rack-MT-1T	
2	3011100312	Upper Shaft Housing-MT-R	
3	3011100311	Upper Shaft Housing-MT-L	
4	3011100310	Bracket-Upper Shaft Housing-MT	
5	3011100304	Upper Cover At Rack Side B-MT	
6	3011100305	Side Upper Cover-Switch-MT	
7	3011100303	Upper Cover At Rack Side A-MT	
8	3011100302	Cover At Both Sides Of Rack-MT	
9	3011101101	Thread Plate-MT-1T-12	
9	3011101111	Thread Plate-MT-1T-15	
9	3011101103	Spool Plate-MT-1T-20	

NO.	Serial NO.	Part Name	Remark
10	3011101301	Rear Upper Cover -MT-1T	
11	3011101201	Upper Cover-Shuttle Box-MT-1T	
12	3011101401	Rear Vertical Cover-MT-1T	
13	3011100301AA	Side Cover-Power Supply-MT	
14	03150602	Power Connection Socket	
15	03150603	Power Switch	
16	3011101501	Lower Coverof Shuttle Box-MT-1T	
17	80746406	Screw M4*6	
18	80746408	Screw M4*8	
19	80860326	M3*6 Flat Head Philips Screw	

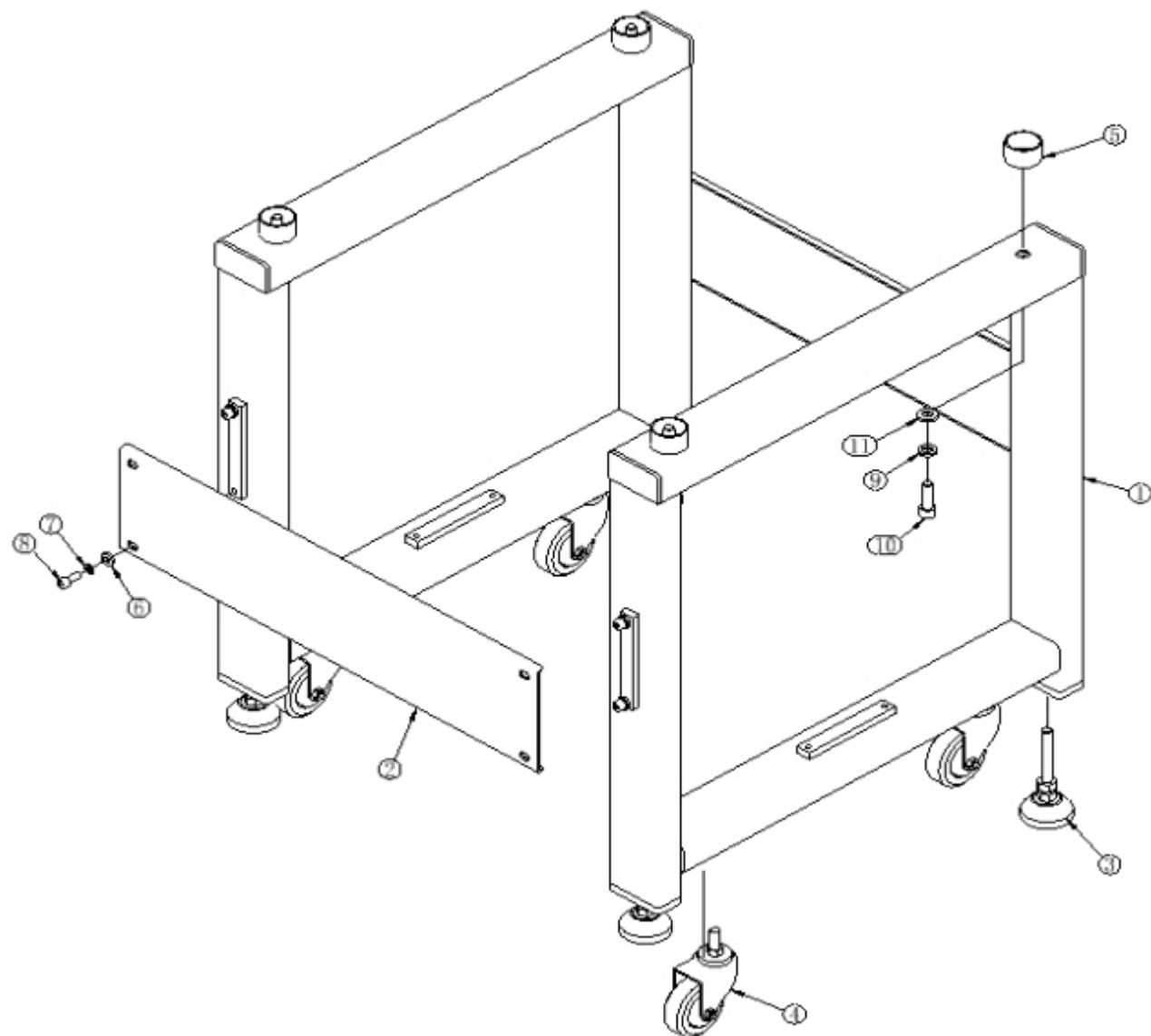




02.Machine Body and Covers-MT2

NO.	Serial NO.	Part Name	Remark
1	3011100102	Upper Rack-MT-2T	
2	3011100312	Upper Shaft Housing-MT-R	
3	3011100311	Upper Shaft Housing-MT-L	
4	3011100310	Bracket-Upper Shaft Housing-MT	
5	3011100304	Upper Cover At Rack Side B-MT	
6	3011100331	Needle Bar Case Cover-C12-605	
6	3011100332	Needle Bar Case Cover-C15-605	
6	3011100333	Needle Bar Case Cover-C20-605	
7	3011100302	Cover At Both Sides Of Rack-MT	
8	3011101302	Rear Upper Cover-MT-2T	
9	3011100305	Side Upper Cover-Switch-MT	

NO.	Serial NO.	Part Name	Remark
10	3011101502	Lower Cover Of Shuttle Box-MT-2T	
11	3011101202	Upper Cover-Shuttle Box-MT-2T	
12	3011101402	Rear Vertical Cover-MT-2T	
13	3011100303	Upper Cover At Rack Side A-MT	
14	3011100301AA	Side Cover-Power Supply-MT	
15	03150602	Power Connection Socket	
16	03150603	Power Switch	
17	80746408	Screw M4*8	
18	80860326	M3*6 Flat Head Philips Screw	
19	80742305	Flanged Semi-Circular Cross-M3X5	

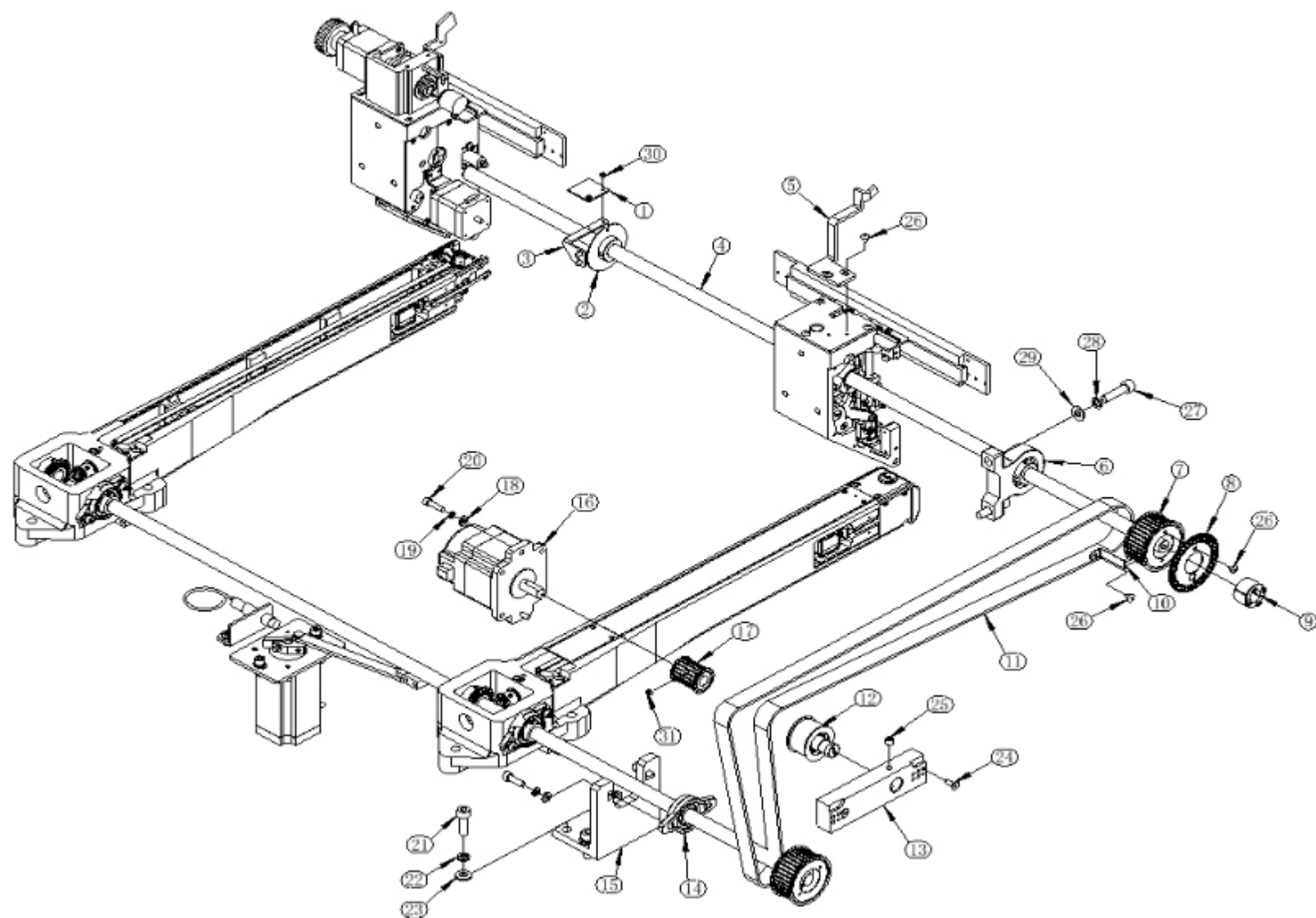




03.Machine Stand-MT

NO.	Serial NO.	Part Name	Remark
1	3011100222	Side Beam-Lower Machine Frame-MT-2T	
2	3011100201	Connecting Plate-Lower Rack-1T	
2	3011100202	Connecting Plate-Lower Rack-2T	
3	80270912	Universal Feet-Anti-Skiding Rubber-D60-M12X100	
4	80270501	Screw Lever Truckle-65M12	
5	3011100121	Rubber Foot Cover-40	

NO.	Serial NO.	Part Name	Remark
6	80900802	M8 Flat Cushion-Nickle-Plate	
7	80900818	M8 Spring Shim-Stainless Steel	
8	80810820	Hexagon Socket Head Cap Screw M8X20-Black	
9	80901213	M12 Spring Cushion-Black	
10	80811240	M12X40 Hexagon Socket Head	
11	80901202	M12 Thick Flat Cushion- Nickel-Plated	



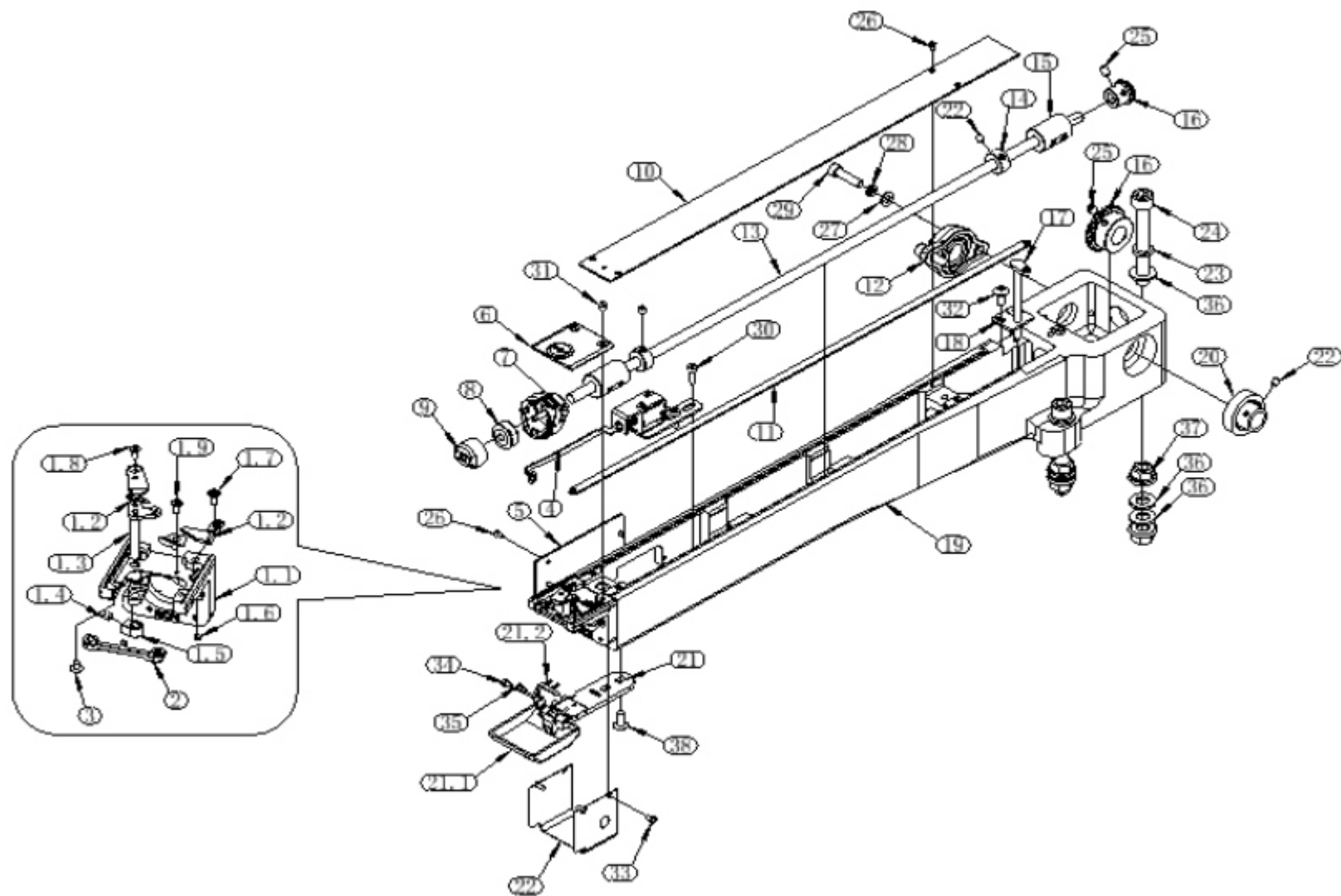


04.Main Shaft-MT

11031V1.2

NO.	Serial NO.	Part Name	Remark
1	03150810MT	Zero Position Sensor-MT	
2	03041207	Zero Position Baffle	
3	03041208	Zero Postion Sensor Bracket	
4	3011206001	Upper Shaft 15-390	4
4	3011206002	Upper Shaft 15-995	5
5	01293850	Thread Break Detection Sensor Bracket-MT2	
6	02311181	Bearing Base 42-H45	
7	3011200192VA	Synchronous Pulley-Upper And Lower Shafts--MT	6
8	3011200130	Dial-MT	
9	80031544	Clamping Sleeve -Za-15*28	
10	3011200131	Dial Pointer-MT	
11	80025152	Synchronous Belt 5M-20-1690	
12	3011200160	Eccentric Wheel Assembly-MT-Up And Down Movement	
13	3011200101	Spindle Tensioning Wheel Support	
14	01400660	Trimming Box Bearing Assembly-SY	
15	3011201101	Bearing Base-MT-Lower Shaft	
16	80310701BC	Main Motor-70Sf3A60	10

NO.	Serial NO.	Part Name	Remark
16	80310721VA	Servo Motor - 70SFA90-330-1000Z-01	9
17	3011200193AA	Synchronous Pulley-Main Motor--MT1-M	7
17	3011200193VA	Synchronous Pulley-Main Motor--MT	8
18	80900501	M5 Plain Washer	
19	80900513	M5 Spring Cushion-Black	
20	80810516	M5X16 Hexagon Socket Head-Black	
21	80810825	Hexagon Socket Head Cap Screw M8X25-Black	
22	80900813	M8 Spring Washer	
23	80900802	M8 Flat Cushion-Nickle-Plate	
24	80866512	Screw M5X12	
25	80880808	Hexagon Socket Set Screw M8X8	
26	80746408	Screw M4*8	
27	80810830	M8X30 Hexagon Cap	
28	80900813	M8 Spring Washer	
29	80900802	M8 Flat Cushion-Nickle-Plate	
30	80742305	Flanged Semi-Circular Cross-M3X5	
31	80880505	M5*5 Hexagon Socket Set Screw	



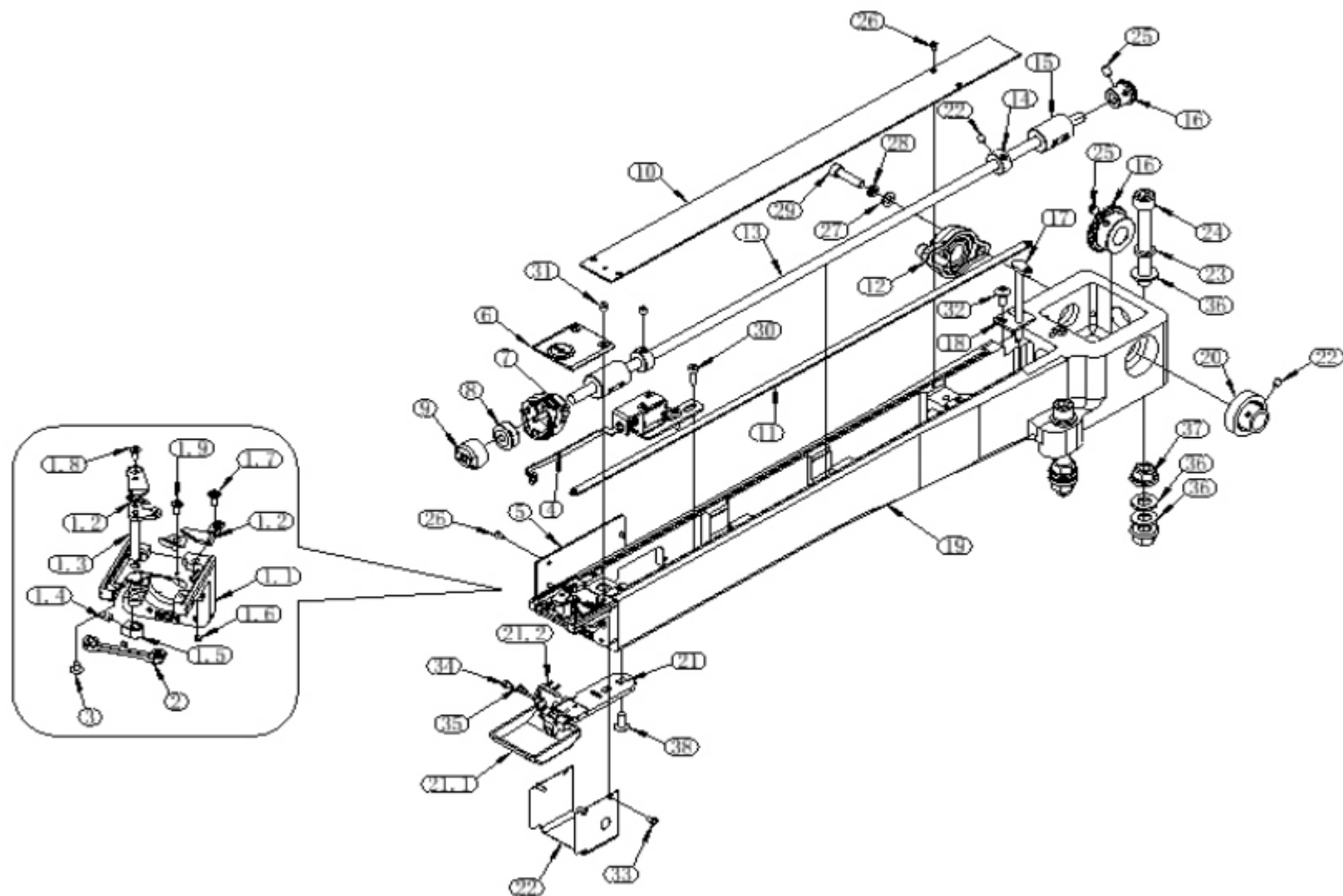


05.Lower Shaft Arm-MT

11041V2.0

NO.	Serial NO.	Part Name	Remark
1	02101660	Needle Plate Base Assembly-SR-C	
1.1	02101601	Needle Plate Base-SR-C	
1.2	02101282	Scissors Kit	
1.3	02010667	Movable Knife Driving Rod Component-SY	
1.4	80880404	M4X4 Screw	
1.5	03021232	Movable Knife Driving Rod Chuck	
1.6	80880304	Hexagon Socket Set Screw M3X4- Black	
1.7	80740306	Screw M3*6-Small Head Philips	
1.8	80860326	M3*6 Flat Head Philips Screw	
1.9	80742304	M3X4 Screw	
2	03021322	Rotary Position Hook	
3	80740306	Screw M3*6-Small Head Philips	
4	02010665VB	Wire Grip Electromagnet Component Of Small Shuttle Box	
5	02010621	Picker Side Cover Plate - SY	
6	02101611VA	Needle Plate -SR-C-H	2
7	80620291	Rotary Hook-KHS12-RYP	
8	80620302	Bobbin	
9	80620301	Bobbin Case	

NO.	Serial NO.	Part Name	Remark
10	3011150113	Upper Cover-Shuttle Box-MT	
11	3011150132	Rotary Hook Shaft-MT-541	
12	80039011	Bearing Ufl002	
13	3011150141	Trimming Pull Rod-MT	
14	02010633	Baffle Ring Of Rotating Shuttle Box - SY	
15	02101131	Lower Shaft Arm Shaft Sleeve	
16	01030133	Bevel Gear Kit	
17	3011150140	Trimming Rotating Rod-Shuttle Box-MT	
18	3011150146	Mounting Plate-Trimming Driving Bar-MT	
19	3011150102	Iron Casting Shuttle Box-MT	
20	80031522	Bearing-60/15-15*35*19	
21	02101661	Picker Assembly-SR-C	
21.1	02101622	Front Cover-SR-C	
21.2	02010624	Picker-SY	
22	80880405	M4*5 Hexagon Socket Set Screw	
23	80901013	M10 Spring Cushion-Black	
24	80901031	Flange Nut M10	
25	80880608	M6X8 Hexagon Socket Set-Black	

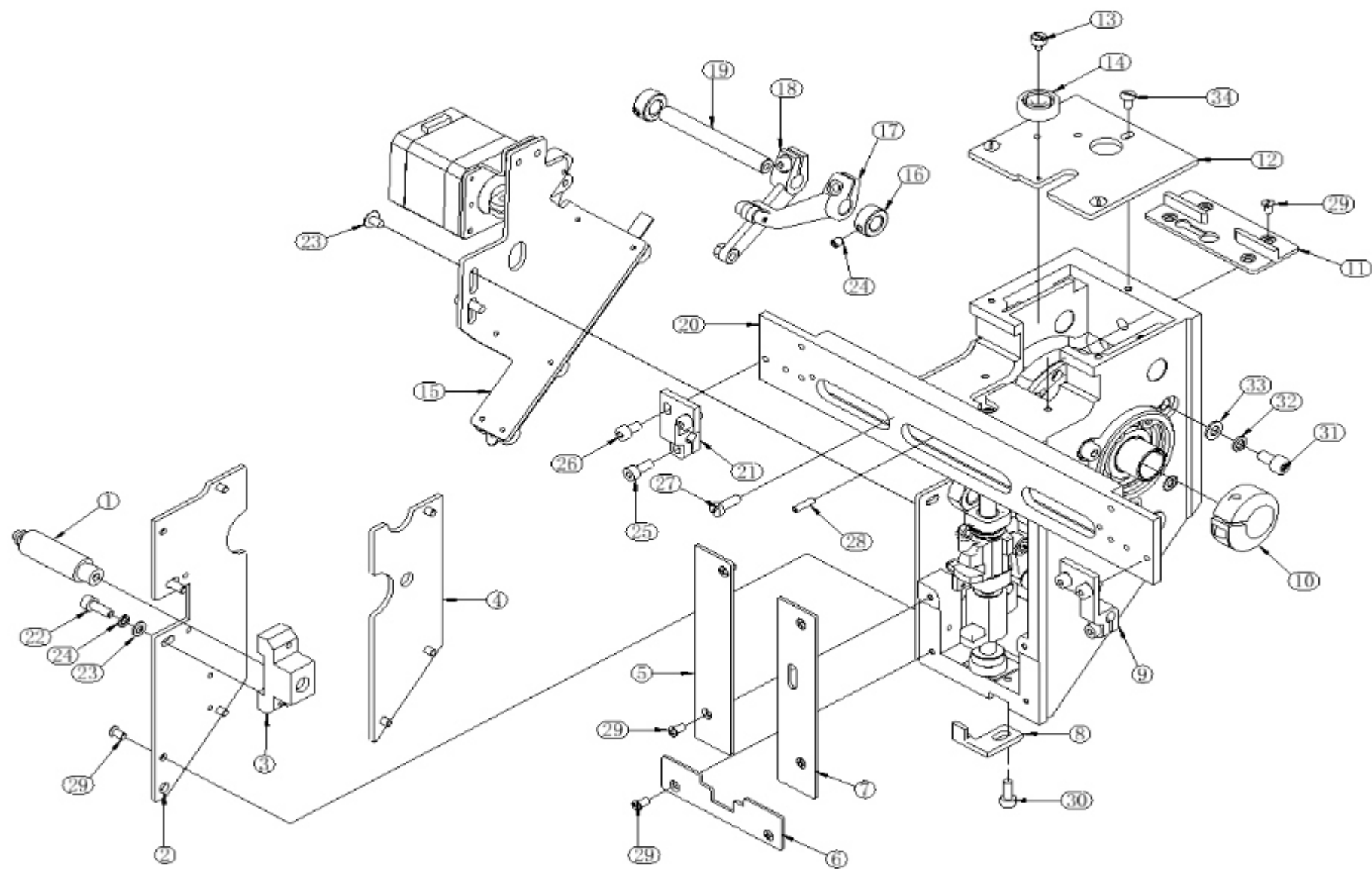




05.Lower Shaft Arm-MT

NO.	Serial NO.	Part Name	Remark
26	80860326	M3*6 Flat Head Philips Screw	
27	80900601	M6 Plain Washer	
28	80900613	M6 Spring Washer - Black	
29	80810625	M6X25 Cylinder Head Hexagon - Black	
30	80810412	M4X12 Cylinder Head Hexagon - Black	
31	80924131	Counter Bore Slotted Screw 11/64 X 6	
32	80746408	Screw M4*8	

NO.	Serial NO.	Part Name	Remark
33	80746304	Screw M3*4	
34	80810306	M3X6 Cylinder Head Hexagon - Black	
35	02010625	Picker Rod Screw-SY	
36	80901002	Flat Washer M10	
37	80901031	Flange Nut M10	
38	80746512	M5X12 Screw	

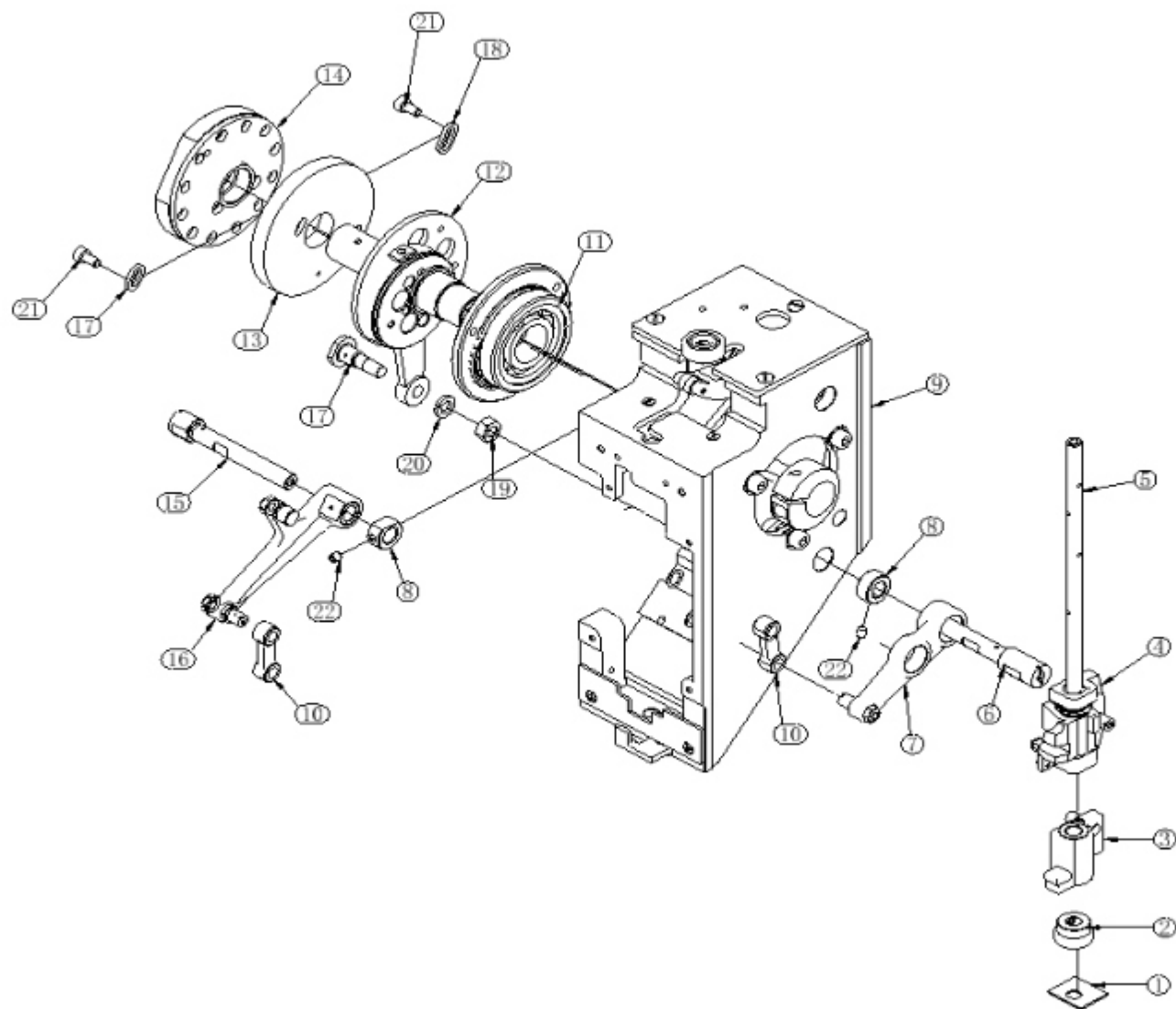




06.Machine Head-I

NO.	Serial NO.	Part Name	Remark
1	80320201	Jumping Solenoid	
2	01211010	High-Speed Head Plate B - Solenoid	
3	01212502	Jumping Solenoid Base – High Speed	
4	01211009	High-Speed Head Plate A	
5	01211008	Front Left Cover Plate Of Machine Head-Electromagnet	
6	01211011	Front Lower Cover Plate - High Speed Head	
7	01211007	Front Right Cover Plate Of Machine Head	
8	01210121	Positioning Hook Of Needle Bar Case	
9	01213130	Color Changing Support Chuck – R – High Speed Head	
10	01201105	Cam Clip Bushing	
11	01213308	Take-Up-Lever Guide Plate – Aluminum 104	
12	01211060	Upper Cover Plate (With Tripping Bearing)	
13	01211012	Color Changing Bearing Pin -LH	
14	80030822	Ball Bearing 19-8-6	
15	01431281	Thread Hooking Device-Step-Wide Machine Head	
16	01202204	Baffle	
17	01212165	Thread Take-Up Connecting Rod Assembly B	
18	01212163	Thread Take-Up Connecting Rod Assembly A	

NO.	Serial NO.	Part Name	Remark
19	01212307	Thread Take-Up Connecting Rod Pin shaft $\Phi 8 \times 65$	
20	80013121	Bead Frame Guide Rail-12 Needles (-251/205)	
20	80013122	Bead Frame Guide Rail-15 Needles (-303/250)	
21	01213131	Color Changing Support Chuck – L – High Speed Head	
22	80810310	M3X10 Cylinder Head Hexagon - Black	
23	80746406	Screw M4*6	
24	80880505	Hexagon Socket Set Screw M5x5-Black	
25	80810410	M4*10 Hexagon Socket Caphead Screw	
26	80810408	M4X8 Screw	
27	80924114	11/64X12 Flat Head Screw - Black	
28	80685134	Spring Pin-Black	
29	80924121	9/64X6 Screw	
30	80810410	M4*10 Hexagon Socket Caphead Screw	
31	80810510	M5X10 Cylinder Head Hexagon - Black	
32	80900513	M5 Spring Cushion-Black	
33	80900501	M5 Plain Washer	
34	80924102	Cheese Head Slotted Screw 9/64X8 - Black	

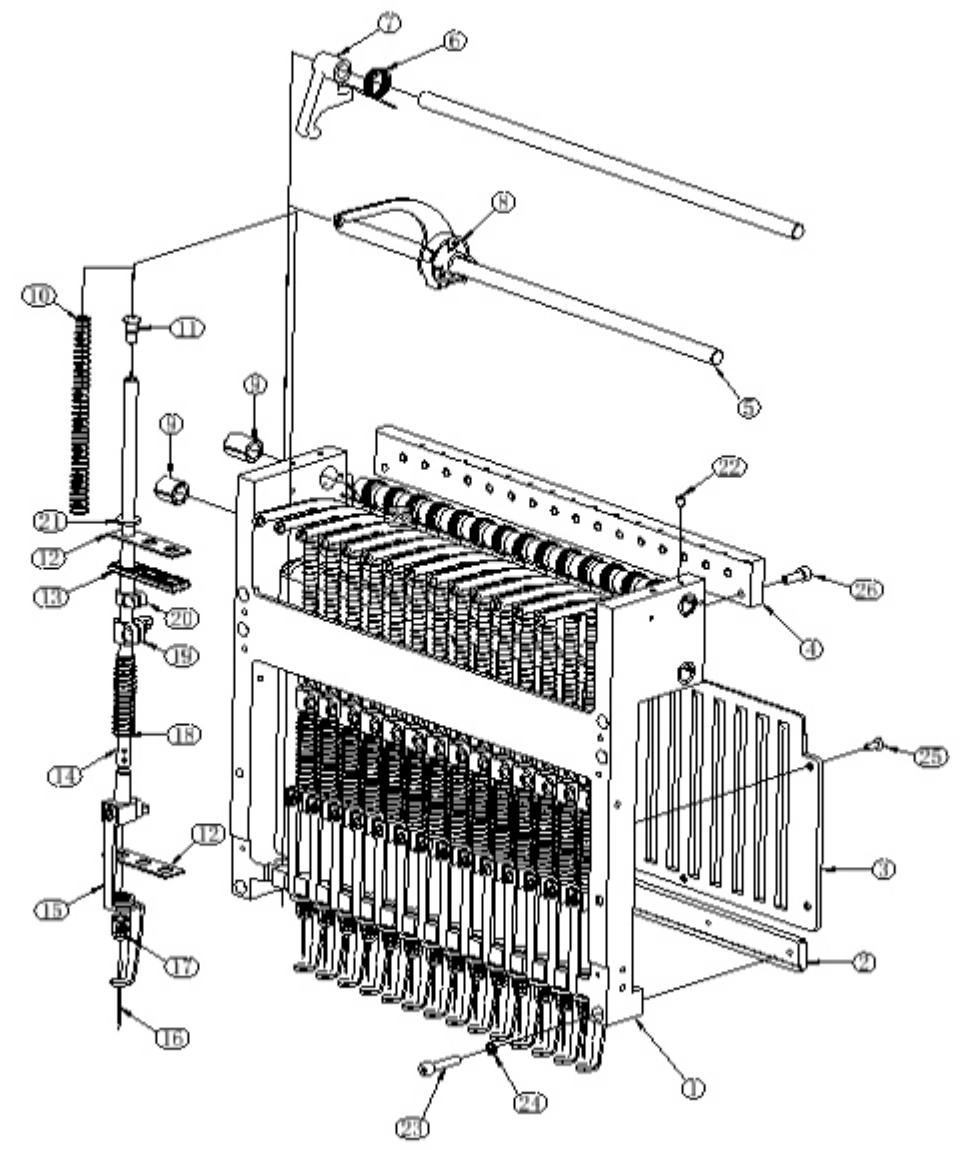




07.Machine Head-II

NO.	Serial NO.	Part Name	Remark
1	01212310	Felt Pad-High Speed Head	
2	01202291	Collapsible Set	
3	01212260DX	Presser Foot Driving Block Assembly-DX	
4	01212073	Needle Bar Reciprocator-H-S-DY	
5	01212306	Head Driving Shaft- High Speed Head	
6	01212305	Three-Eye Rod Pin-Double Cam	
7	01212161DX	Three-Eye Connecting Rod Assembly - High Speed	
8	01202204	Baffle	
9	01210101DX	High Speed Head Box	
10	01212109	Connecting Rod-High Speed Head	
11	01201160	Bearing Base-6004 Bearing	

NO.	Serial NO.	Part Name	Remark
12	01212464	Large Connecting Rod-4Pcs-15 Shafts	
13	01212404DY	Thread-Taking-Up Nylon Cam-Single Cam And Double Driver-15 Shafts	
14	01212271	Presser Foot Cam + AI Ring + AI Base	
15	01212123	Presser Foot Driver Pin Shaft- Double Cam	
16	01212262	Presser Foot Rod-Double Cam	
17	01201302	Cam Washer A	
18	01201303	Cam Washer B	
19	80900628	Nut M6 - Stainless Steel	
20	80900601	M6 Plain Washer	
21	80810408	M4X8 Screw	
22	80880505	Hexagon Socket Set Screw M5×5-Black	

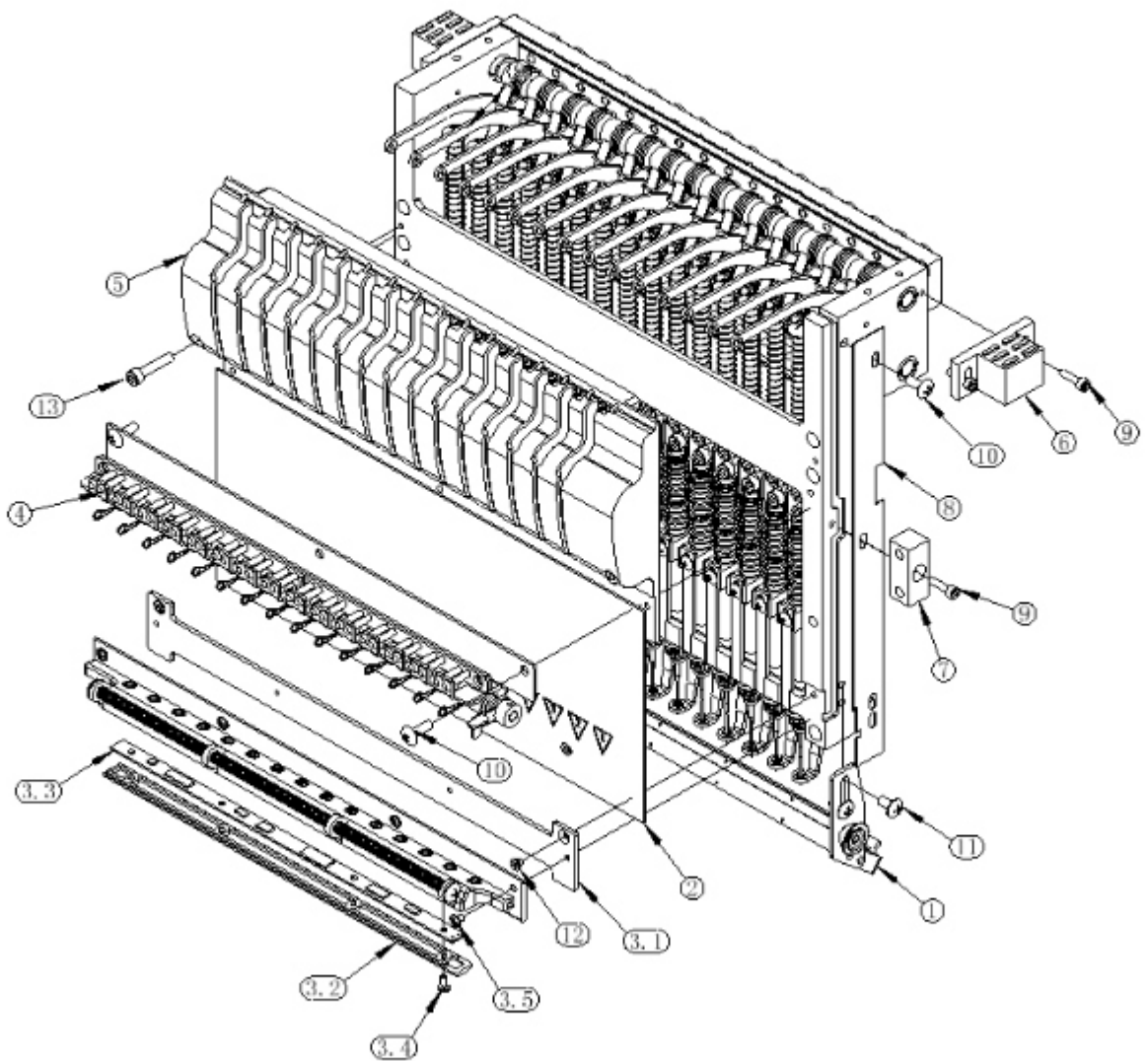




08.Needle Bar Case I

NO.	Serial NO.	Part Name	Remark
	01213145	Needle Bar Case-CT-High-12	*** 4
1	01213103VB	Needle Bar Rack-CT-12 Needles	*** 5
2	01213115	Lower Guide Rail-12-High Speed	*** 6
3	03081301	Needle Bar Guide Plate-12	*** 7
4	03081212VA	Color Change Board-Shaft Style-12	*** 8
5	01221532	Take-Up Shaft - 12	*** 9
6	03081503	Fixed Block Torsional Spring	
7	01213312	Positioning Block Of Take-Up-Lever	
8	03081591	Take Up Lever Module	
9	03081506	Take-Up Shaft Block-12	*** 10
10	03080102	Needle Bar Spring-P	
11	01222102	Needle Bar Screw	
12	01221606	3-Hole Felt-1	
13	01221605	3 Pore Cusion-Rubber	

NO.	Serial NO.	Part Name	Remark
14	03080160	Needle Bar-217	
15	03080181	Adjustable Presser Foot with Bushing	
16	80621111	Needle-DBXK5-11	
17	01222194	Needle Clamp	
18	03080108	Presser Foot Spring-P	
19	01222106	Needle Bar Connecting Pin	
20	01222105	Upper Dead Point Clamp	
21	80900603	Flat Washer - M6	
22	80880405	M4*5 Hexagon Socket Set Screw	
23	80810420	M4X20 Cylinder Head Hexagon - Black	
24	80900413	M4 Spring Washer - Black	
25	80740308	Screw M3*8	
26	80810412	M4X12 Cylinder Head Hexagon - Black	

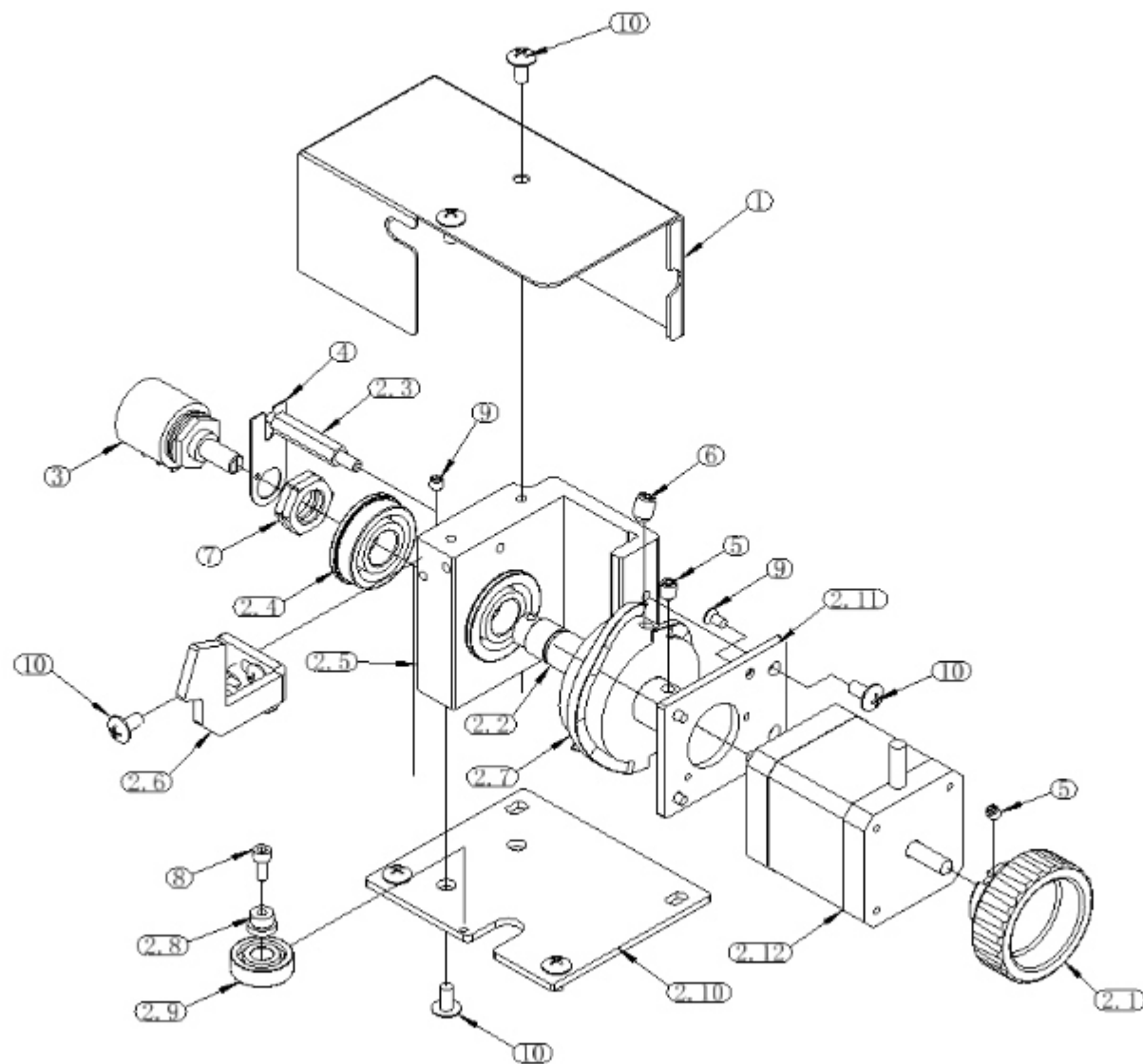




09.Needle Bar Case II

NO.	Serial NO.	Part Name	Remark
1	72100180-12	Thread Clamp-RD-12	3
2	01221312	Logo Plate-LED-12 Needles-C/MT	4
3	03096012	Lower Thread Course Component-LED-12	6
3.1	03090412	Mounting Base-Lower Thread Course-LED-12	7
3.2	03090212	Lighting Cover-Below Thread Guid-LED-12	5
4	72012171-12	Middle Thread Course Assembly-12B	8
5	72211112	Take-Up Cover With T Middle Thread Course-12 Needle	9

NO.	Serial NO.	Part Name	Remark
6	01227104	Door Stopper	
7	01227103	Magnetic Block-AI	
8	03090722	MT Side Plate-LED-2T	
9	80810312	M3X12 Cylinder Head Hexagon - Black	
10	80746304	Screw M3*4	
11	80746408	Screw M4*8	
12	80860326	M3*6 Flat Head Philips Screw	



10.Color Change System-MT

11071V1.2



NO.	Serial NO.	Part Name	Remark
1	3011100341	Cover-Color Change-MT	
2	01293862VA	Stepping Motor 42-Color Changing Component- High Speed	
2.1	03150833	Multi-Turn Potentiometer	
2.2	03040510	Potentiometer Support Plate	
2.3	03040509	Potentiometer Fixed Bolt	
2.4	80031224	Roller Bearing F 12 X 28 X 8	
2.5	01293827	Bearing Base-Cam	
2.6	01293851	Thread Break Detection Sensor Bracket	
2.7	01293813	Changing Color Cam-Double Rail-Steel	
2.8	01293840	Pin-Changing Color Bearing-MT	
2.9	80030722	19-7-6 Bearing	
2.10	01211060	Upper Cover Plate (With Tripping Bearing)	

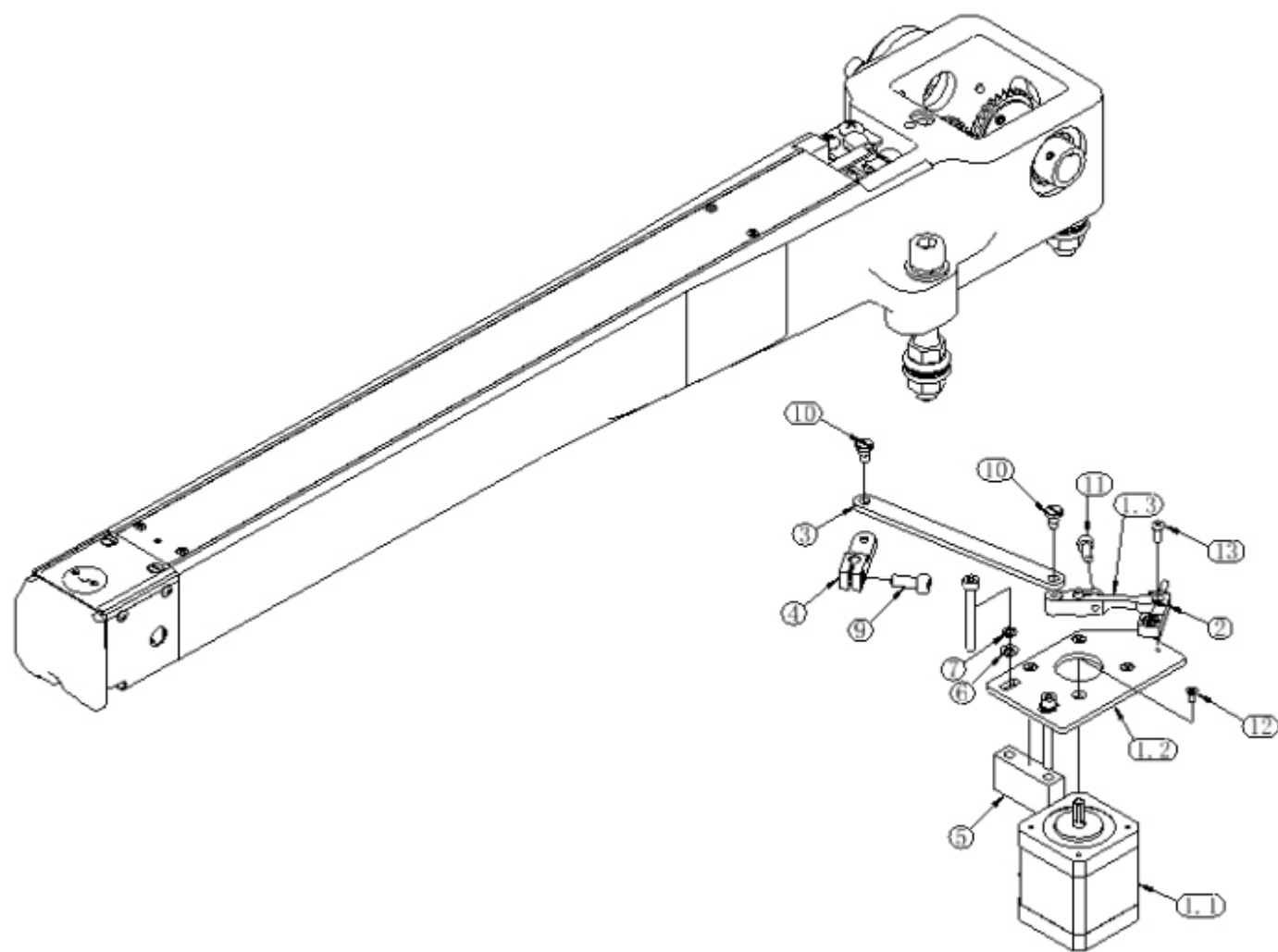
NO.	Serial NO.	Part Name	Remark
2.11	03040701	Head Board	
2.12	80304222	Stepping Motor 17H2059-12-6B	
2.13	03040511RA	Changing Color Handle	
2.14	01293832	Color Changing Cam Shaft - 42-1, 2 Heads	
3	80333702VB	Potentiometer S7286	
4	03040510	Potentiometer S7286	
5	80880405	M4*5 Hexagon Socket Set Screw	
6	80880608	M6X8 Screw	
7	01293836	Nut--M12X1X3	
8	80810308	M3X 8 Cylinder Head Hexagon - Black	
9	80860328	M3X8 Screw	
10	80746408	Screw M4*8	



11.Color Change System - Half Turn

NO.	Serial NO.	Part Name	Remark
1	3011100341	Cover-Color Change-MT	
2	03040590	Changing Color Motor Unit	
2.1	03040511RA	Changing Color Handle	
2.2	01293832	Color Changing Cam Shaft - 42-1, 2 Heads	
2.3	03040543	Needle Position Magnet Base-Hall	
2.4	80031224	Roller Bearing F 12 X 28 X 8	
2.5	01293827	Bearing Base-Cam	
2.6	03040514	Sensor Bracket-Half Turn-20N	
2.7	01293813	Changing Color Cam-Double Rail-Steel	
2.8	01293840	Pin-Changing Color Bearing-MT	
2.9	80030722	19-7-6 Bearing	
2.10	01211060	Upper Cover Plate (With Tripping Bearing)	

NO.	Serial NO.	Part Name	Remark
2.11	03040701	Head Board	
2.12	80304222	Stepping Motor 17H2059-12-6B	
2.13	03040515	Half Turn Baffle-20N	
3	03154329	Zero Position Sensor-J8	
4	03150834	Needle Position Detection Board-C-20N	
5	03150835	Mount Base-Needle Position Detection Board-20N	
6	80880405	M4*5 Hexagon Socket Set Screw	
7	80746304	Screw M3*4	
8	80810308	M3X 8 Cylinder Head Hexagon - Black	
9	80746306	Screw M3*6	
10	80746408	Screw M4*8	
11	80860328	M3X8 Screw	

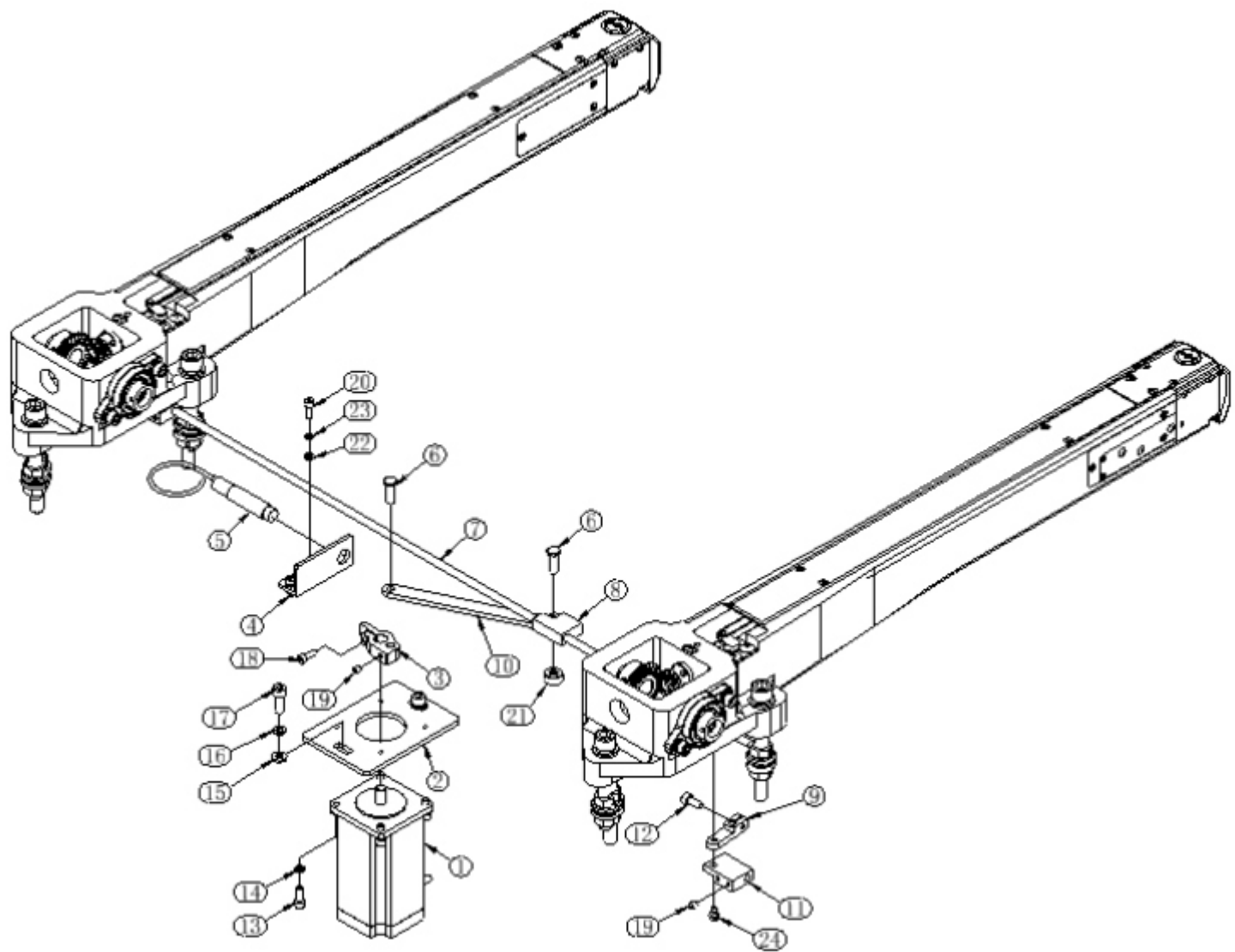




12.Trimming-MT1

NO.	Serial NO.	Part Name	Remark
1	03021281	Trimming Motor Base-Assembly	
1.1	80304213	Trimming Motor42BYGH5201-01	
1.2	03022206	Trimming Motor Board	
1.3	03021213	Trimming Motor Driving Arm-P	
2	03154454	Micro Approximity Switch-MT1	
3	3011150143	Trimming Linkage-MT1-Distance Between Holes 106	
4	01400311	Moving Cutter Rod Chuck	
5	3011150208	Trimming Cushion Block-MT-1T	

NO.	Serial NO.	Part Name	Remark
6	80900401	M4 Plain Washer	
7	80900413	M4 Spring Washer - Black	
8	80810435	Cylinder Head Hexagon - Black M4X35	
9	80810512	Hexagon Socket Head Cap Screw M5X12-Black	
10	80924211	M4X4-5X3.5 Screw	
11	80810410	M4*10 Hexagon Socket Caphead Screw	
12	80860326	M3*6 Flat Head Philips Screw	
13	80740308	Screw M3*8	

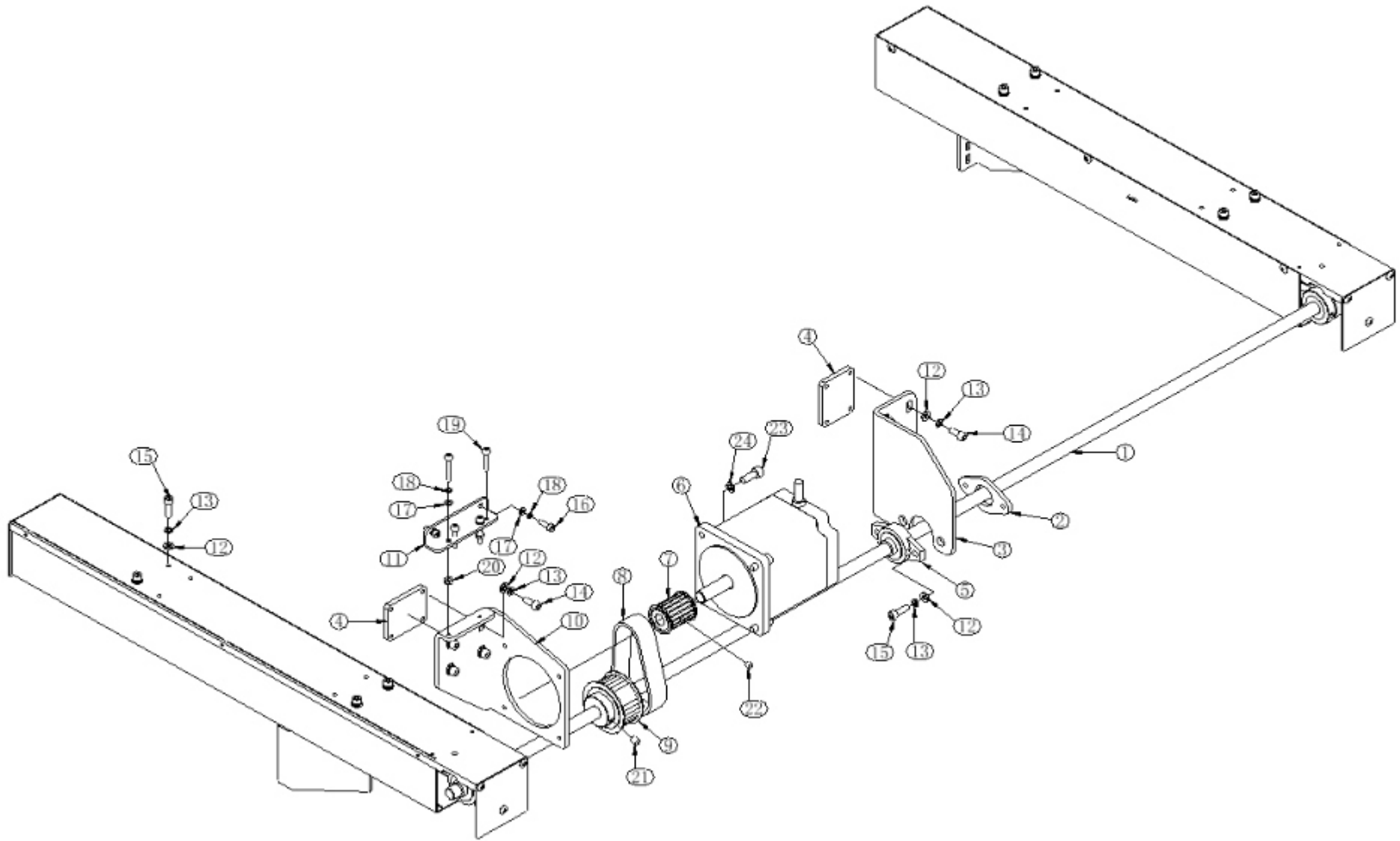




13. Trimming-MT2

NO.	Serial NO.	Part Name	Remark
1	80305761	Hooking Motor 57BYGH80D10-15	
2	01400121	Trimming Motor Base - 57	
3	01400103MT	Thread Trimming Driving Arm	
4	01400105	Support Of Thread Trimming Proximity Switch	
5	03154453	Cylinder Proximity Switch NPN-MT2	
6	01430504	Thread Hooking Driving Arm Pin - 16	
7	80030601	Pull Rod-2000	
8	01400109MT	Rod Connecting Joint-MT	
9	01400311	Moving Cutter Rod Chuck	
10	3011150141	Trimming Pull Rod-MT	
11	01400109	Rod Connecting Joint	
12	80810510	M5X10 Cylinder Head Hexagon - Black	
13	80810512	Hexagon Socket Head Cap Screw M5X12-Black	

NO.	Serial NO.	Part Name	Remark
14	80900513	M5 Spring Washer - Black	
15	80900601	M6 Plain Washer	
16	80900613	M6 Spring Washer - Black	
17	80810616	M6X16 Hexagon Socket Head	
18	80810412	M4*12 Hexagon Socket Caphead Screw	
19	80880508	M5*8 Hexagon Socket Set Screw	
20	80810408	M4X8 Screw	
21	01430509	Shaft Checking Ring-6	
22	80900401	M4 Plain Washer	
23	80900413	M4 Spring Washer - Black	
24	80924211	M4X4-5X3.5 Screw	

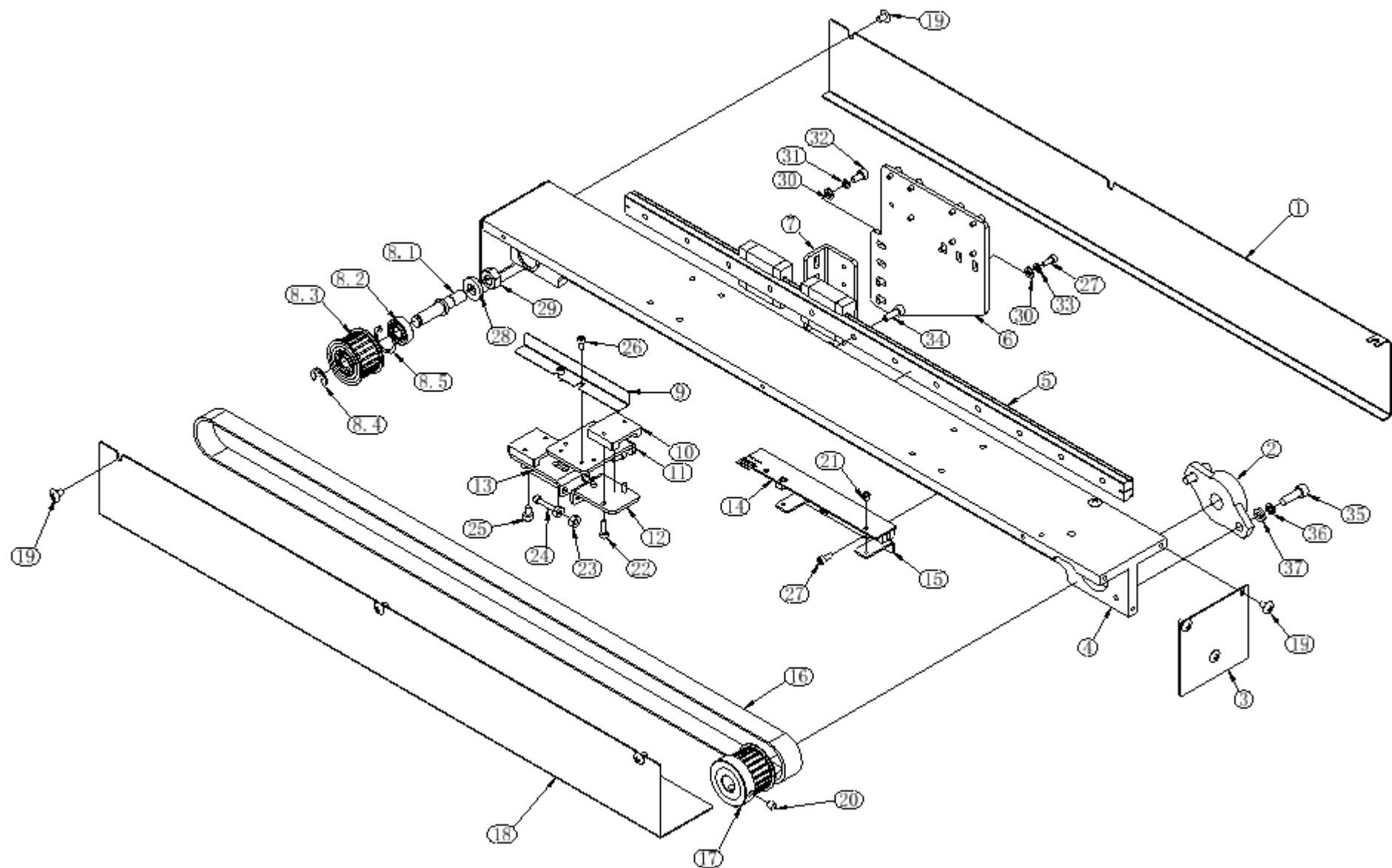




14.Y Axis Drive-I

NO.	Serial NO.	Part Name	Remark
1	3011216002	Driving Shaft Y-MT-2T	
2	3011313102	Mounting Plate-Insert Bearing Housing-12	
3	3011212315	Bearing Block-Y Axis-MT-A	
4	3011212321	Mounting Plate-Support-3040	
5	80039010	Insert Bearing U#001-D12	
6	80308630	86BYG350 Motor	
7	3011200193	Synchronous Pulley-Spindle Motor-MT-M	
8	80025151	Synchronous Belt 5M-20-235	
9	3011212095	Synchronous Pulley-Transition-MT-Y	
10	3011212311	Motor Base-Y-MT-86	
11	3011212322	Tensioning Bracket-Y Motor-MT	
12	80900501	M5 Plain Washer	

NO.	Serial NO.	Part Name	Remark
13	80900513	M5 Spring Cushion-Black	
14	80810516	M5X16 Hexagon Socket Head-Black	
15	80810514	M5*14 Hexagon Socket Caphead Screw	
16	80810412	M4X12 Cylinder Head Hexagon - Black	
17	80900401	M4 Plain Washer	
18	80900413	M4 Spring Washer - Black	
19	80810420	M4X20 Cylinder Head Hexagon - Black	
20	80900428	M4 Nut	
21	80880608	M6X8 Hexagon Socket Set-Black	
22	80880506	M5*6 Hexagon Socket Set Screw	
23	80810616	M6X16 Hexagon Socket Head	
24	80900613	M6 Spring Washer - Black	

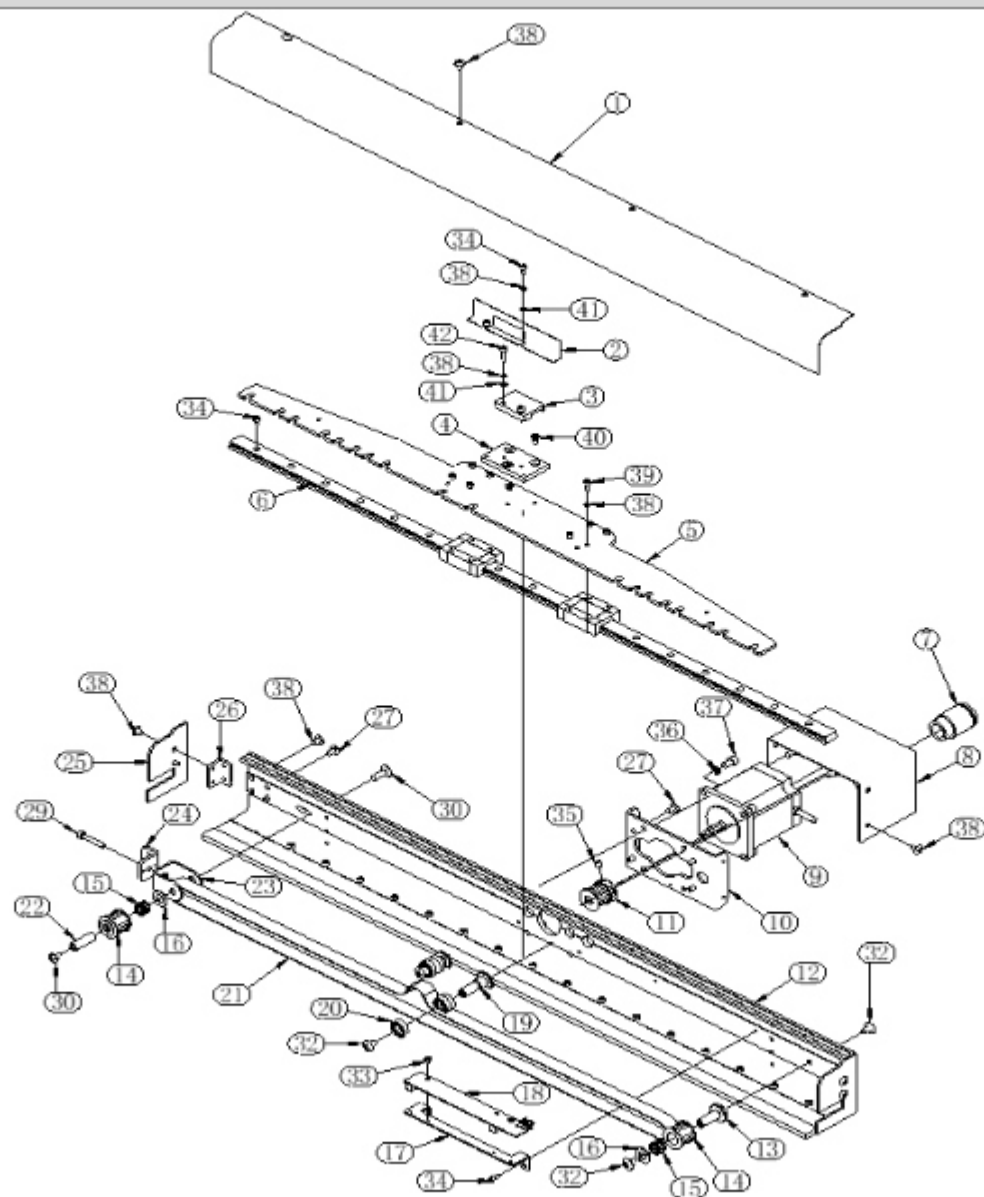




15.Y Axis Drive-II

NO.	Serial NO.	Part Name	Remark
1	3011212008	Guide Rail Housing-Y-LB	
2	80039010	Insert Bearing Uf001-D12	
3	3011212035	Front & Rear Cover Of Guide Rail-MT-A	
4	3011212001	Y Drive Guide Rail-MT-A	
5	8001510480	Linear Guide Rail-MT-Y	
6	3011212013	Mounting Plate-MT-XY Drive A	
7	3011212014	Mounting Plate-MT-XY Drive B	
8	3011212080	Driven Wheel Assembly-MT-Y	
8.1	3011212005VA	Passive Wheel Shaft-MT-Y	
8.2	80030822	Ball Bearing 19-8-6	
8.3	3011212093	Synchronous Pulley-Driven-MT-Y	
8.4	80030871	E Type Circlip 8-7	
8.5	80031981	Circlip 19	
9	3011212032	Limit Baffle-MT-A	
10	02512221	M5 Presser Plate	
11	3011212021	Guide Rail Connecting Piece-MT-Y	
12	3011212023	Belt Pressure Plate-MT-Y-B	
13	3011212022	Belt Pressure Plate-MT-Y-A	
14	03150820	Sensor Board-Limit Position	
15	3011212032	Limit Baffle-MT-A	
16	3011212097	Synchronous Belt-MT-Y	

NO.	Serial NO.	Part Name	Remark
17	3011212092	Synchronous Pulley-Driving-MT-Y	
18	3011212003	Guide Rail Housing-Y-R	
19	80746408	Screw M4*8	
20	80880506	M5*6 Hexagon Socket Set Screw	
21	80742305	Flanged Semi-Circular Cross-M3X5	
22	80742305	Flanged Semi-Circular Cross-M3X5	
23	80900428	M4 Nut	
24	80810420	M4X20 Cylinder Head Hexagon - Black	
25	80810406	M4X6 Cylinder Head Hexagon - Black	
26	80810306	M3X6 Cylinder Head Hexagon - Black	
27	80810308	M3X 8 Cylinder Head Hexagon - Black	
28	80900801	M8 Plain Washer	
29	80900828	Hexagon Nut M8	
30	80900403	M4 Washer	
31	80900418	M4 Spring Washer	
32	80813408	M4*8 Hexagon Socket Caphead Screw	
33	80900313	M3 Spring Washer- Black	
34	80810412	M4X12 Cylinder Head Hexagon - Black	
35	80810516	M5X16 Hexagon Socket Head-Black	
36	80900513	M5 Spring Cushion-Black	
37	80900501	M5 Plain Washer	

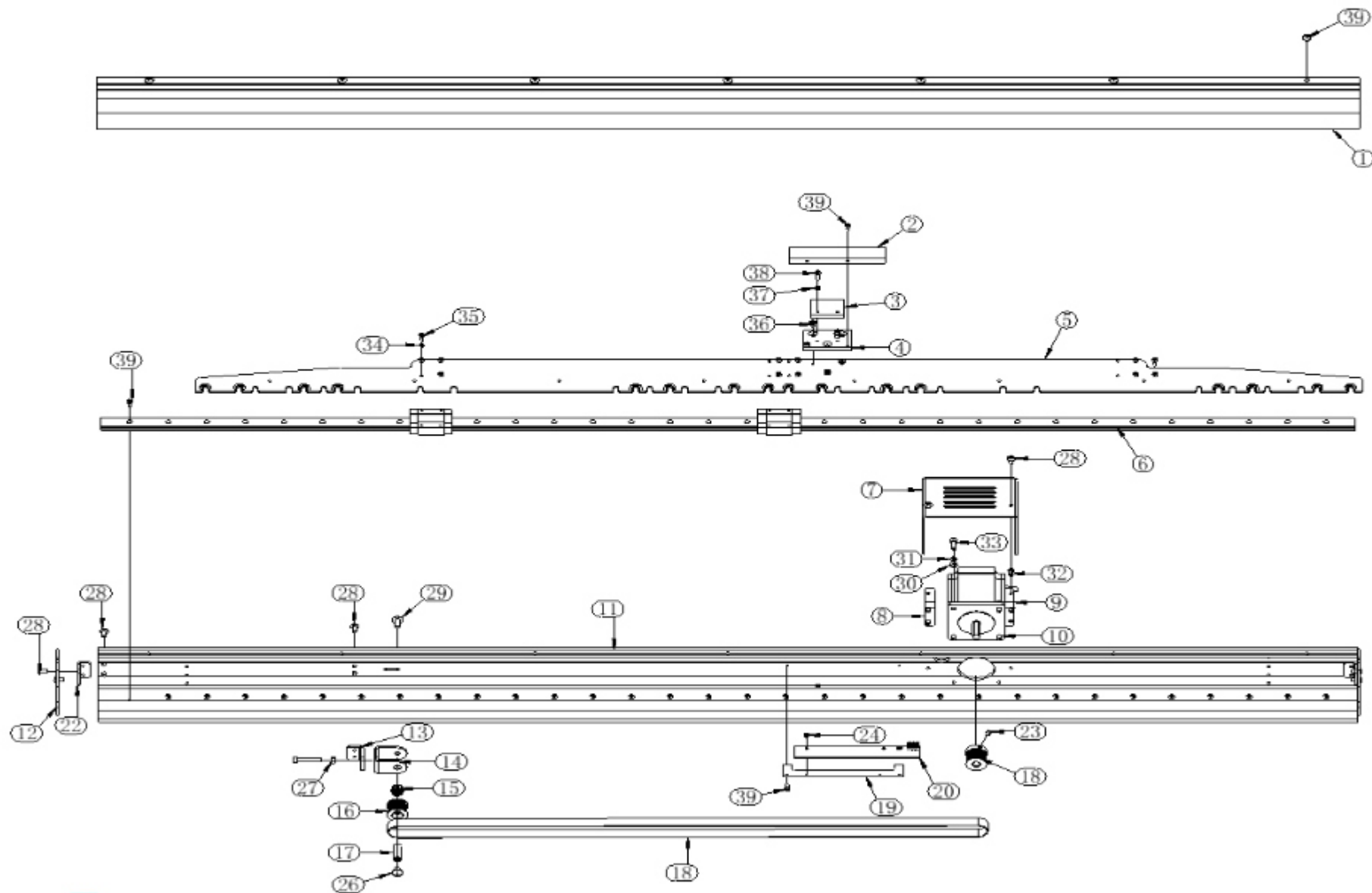




16.X Axis Drive-MT1

NO.	Serial NO.	Part Name	Remark
1	3011211102	Housing-Driving Frame-MT1-X	
2	03100112	Light Barrier-Stopper-X	
3	03100108	Belt Tension Platen	
4	03100104	Connection Pressing Platen	
5	3011211103	X Drive Connecting Plate-Flat Plate	
6	8001510690	Guide Rail BRH15-690	
7	80391011	Corrugated Nylon Pipe Joint AD13	
8	03100121	X Direction Motor Cover	
9	80306001	Motor DT-X 60BYG350	
10	3011211130	Motor Base-X-MT1	
11	80023601	20-3M-15-Xdm Pulley	
12	3011211101	X Driving Frame-MT1-X-A	
13	3011211303	Drivn Shaft-MT-X-Middle	
14	80023602	20-3M-15-12 Pulley	
15	80030831	Needle Roller Bearing	
16	80030862	8-14-1 Nylon Washer	
17	03100110	Limit Mounting Bracket	
18	03150820	Sensor Board-Limit Position	
19	3011211302	Support Shaft-MT-X-Middle	
20	80030822	Ball Bearing 19-8-6	
21	3011211197	Synchronous Belt-MT1-X	

NO.	Serial NO.	Part Name	Remark
22	03100106CA	Passive Pulley Shaft-X	
23	03100105BA	Driven Wheel Support-X	
24	03100107	Belt Tension Bracket-X	
25	03100117	Driving Cover X	
26	03100118BA	Driving Cover Support	
27	80746408	Screw M4*8	
28	80746406	Screw M4*6	
29	80810435	Cylinder Head Hexagon - Black M4X35	
30	80746512	M5X12 Screw	
31	80746408	Screw M4*8	
32	80746508	M5X8 Screw	
33	80742305	Flanged Semi-Circular Cross-M3X5	
34	80810306	M3X6 Cylinder Head Hexagon - Black	
35	80880506	M5*6 Hexagon Socket Set Screw	
36	80900513	M5 Spring Cushion-Black	
37	80810508	Cylinder Head Hexagon - Black M5X8	
38	80900313	M3 Spring Washer- Black	
39	80810308	M3X 8 Cylinder Head Hexagon - Black	
40	80860408	M4X8 Screw	
41	80900301	M3 Plain Washer	
42	80810312	M3X12 Cylinder Head Hexagon - Black	





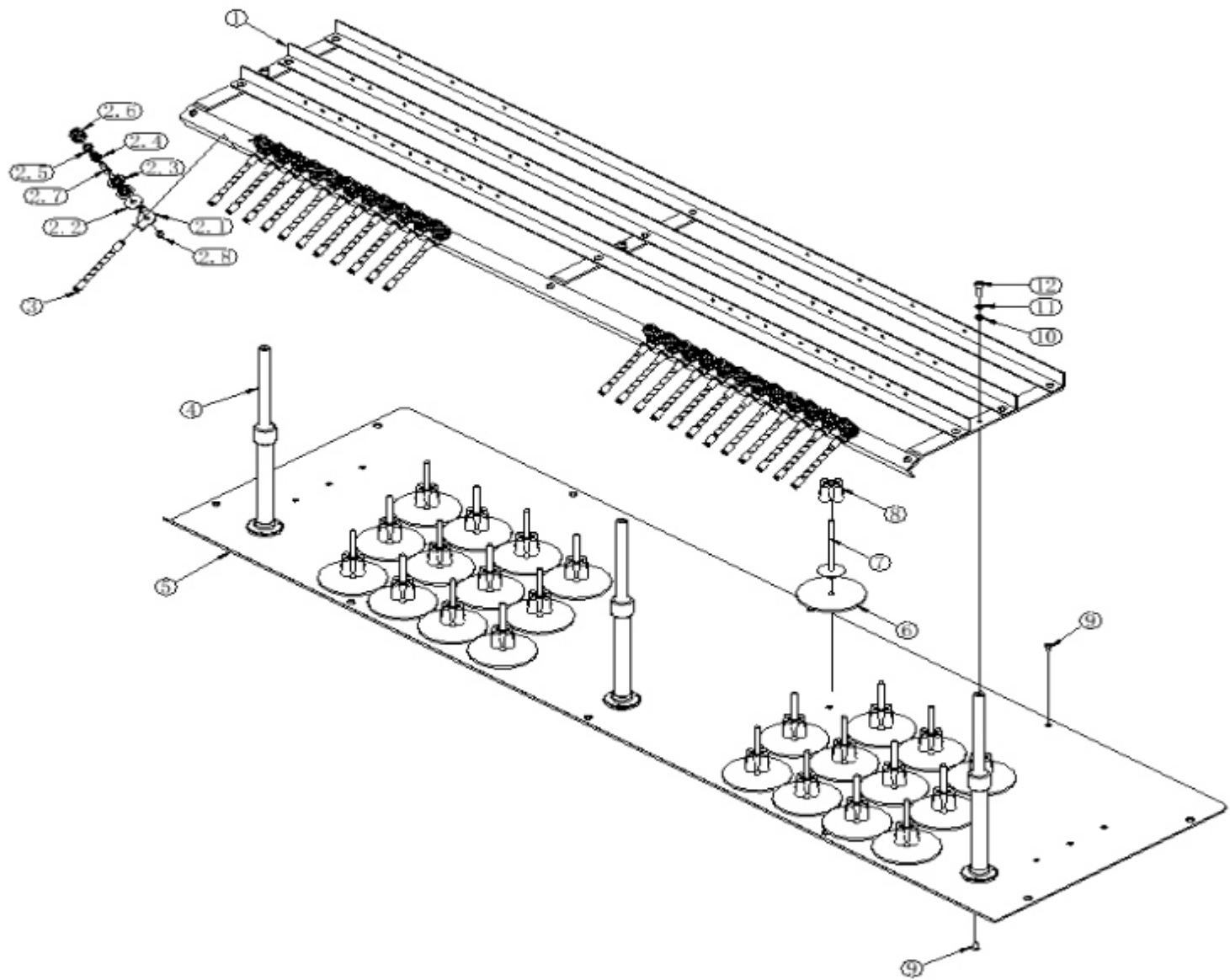
17.X Axis Drive-MT2

NO.	Serial NO.	Part Name	Remark
1	3011211202	Housing-Driving Frame-MT2-X	
2	03100112	Light Barrier-Stopper-X	
3	03100108	Belt Tension Platen	
4	03100104	Connection Pressing Platen	
5	3011211203	Drive Connecting Board X-MT-2T	
6	8001511300	Guide Rail BRH15-1300	
7	03100121	X Direction Motor Cover	
8	03100123	Motor Cover Support- R	
9	03100122	Motor Cover Support- L	
10	80306001	Motor DT-X 60BYG350	
11	3011211201	X Driving Frame-MT2-X-A	
12	03100117	Driving Cover X	
13	03100107	Belt Tension Bracket-X	
14	03100105BA	Driven Wheel Support-X	
15	80030831	Needle Roller Bearing	
16	80023602	20-3M-15-12 Pulley	
17	03100106CA	Passive Pulley Shaft-X	
18	3011211297	Synchronous Belt-MT2-X	
19	03100110	Limit Mounting Bracket	
20	03150820	Sensor Board-Limit Position	

NO.	Serial NO.	Part Name	Remark
21	80023601	20-3M-15-Xdm Pulley	
22	03100118BA	Driving Cover Support	
23	80880506	M5*6 Hexagon Socket Set Screw	
24	80742305	Flanged Semi-Circular Cross-M3X5	
25	80810306	M3X6 Cylinder Head Hexagon - Black	
26	80746508	M5X8 Screw	
27	80900428	M4 Nut	
28	80746408	Screw M4*8	
29	80746512	M5X12 Screw	
30	80900401	M4 Plain Washer	
31	80900413	M4 Spring Washer - Black	
32	80740401	Screw M4*6-Small Head	
33	80810412	M4X12 Cylinder Head Hexagon - Black	
34	80900313	M3 Spring Washer- Black	
35	80810308	M3X 8 Cylinder Head Hexagon - Black	
36	80860408	M4X8 Screw	
37	80900301	M3 Plain Washer	
38	80810310	M3X10 Cylinder Head Hexagon - Black	
39	80746406	Screw M4*6	



18.Spool Plate and Thread Stand-MT





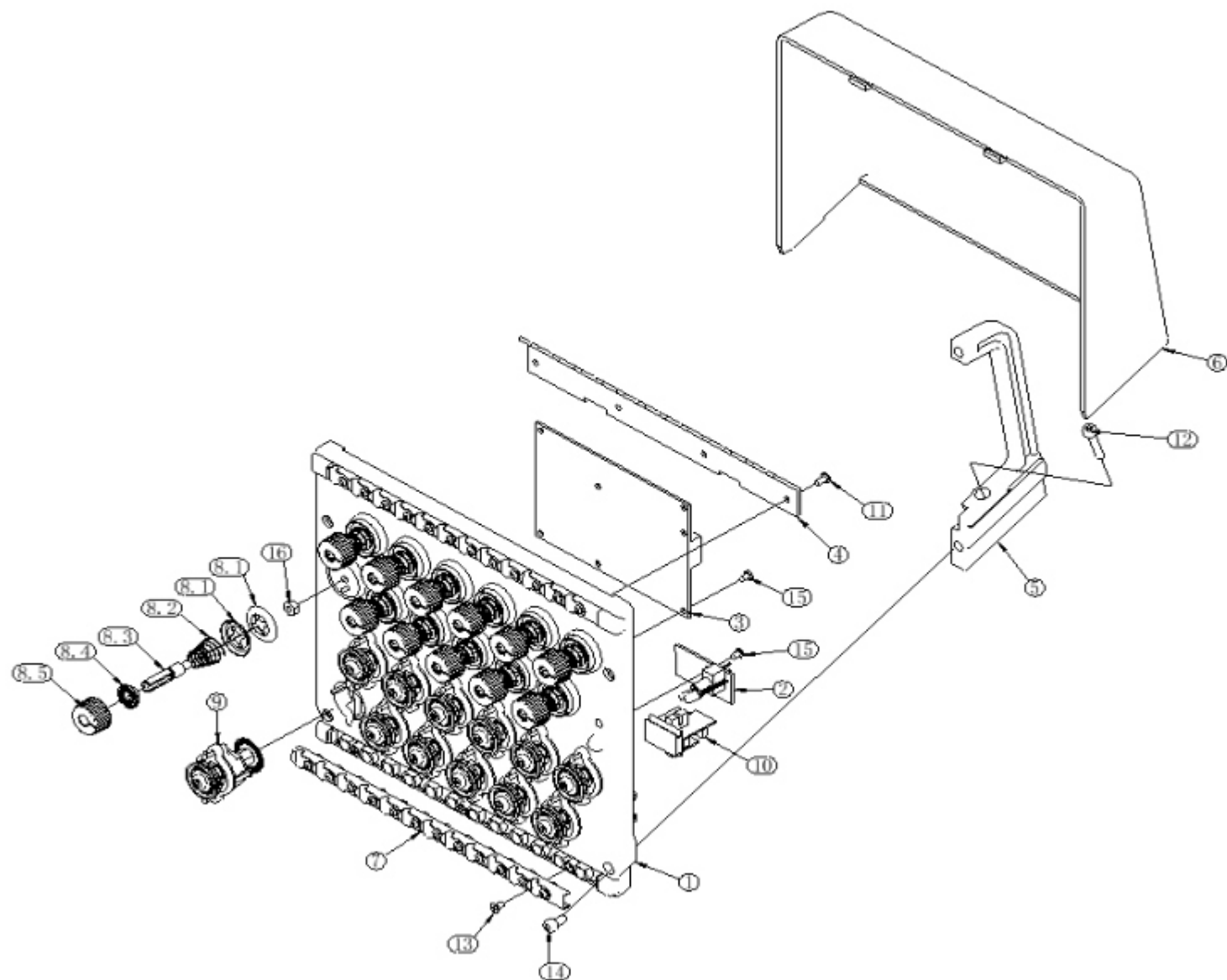
18.Spool Plate and Thread Stand-MT

NO.	Serial NO.	Part Name	Remark
1	3011101161	Thread Stand Components-MT2-12N	
1	3011101162	Thread Stand Components-MT1-15N	
1	3011101163	Thread Stand Components-MT1-20N	
1	3011101171	Thread Stand Components-MT2-12N	
1	3011101172	Thread Stand Components-MT1-15N	
1	3011101173	Thread Stand Components-MT1-20N	
2	03144260VA	Wire Clipping Adjusting Knob-425C	
2.1	03141001	Thread Guide Plate-Wheel	
2.2	80211104	Felt Gasket	
2.3	03144202	Thread Pressing Plate-Wheel	
2.4	03144209	Tension Spring-Wheel	
2.5	03044155	Locking Washer	
2.6	03144207	Tension Knob-Wheel	
2.7	03144208	Knob Pole-Wheel	
2.8	80900428	M4 Nut	

NO.	Serial NO.	Part Name	Remark
3	03044360	Threading Pip	
4	03044152VA	Lifting Stand - Aluminum Alloy	
5	3011101102	Thread Plate-MT-2T-12	
5	3011101112	Thread Plate-MT-2T-15	
5	3011101113	Thread Plate-MT-2T-20	
5	3011101101	Thread Plate-MT-1T-12	
5	3011101111	Thread Plate-MT-1T-15	
5	3011101103	Thread Plate-MT-1T-20	
6	80211009	Foam Cushion	
7	80211007	Thread Spool Pole	
8	80211008	Plastic Cushion B5	
9	80746408	Screw M4*8	
10	80900501	M5 Plain Washer	
11	80900518	M5 Spring Washer	
12	80813516	M5X16 Screw	

19.Thread Tension Base

11121V1.2



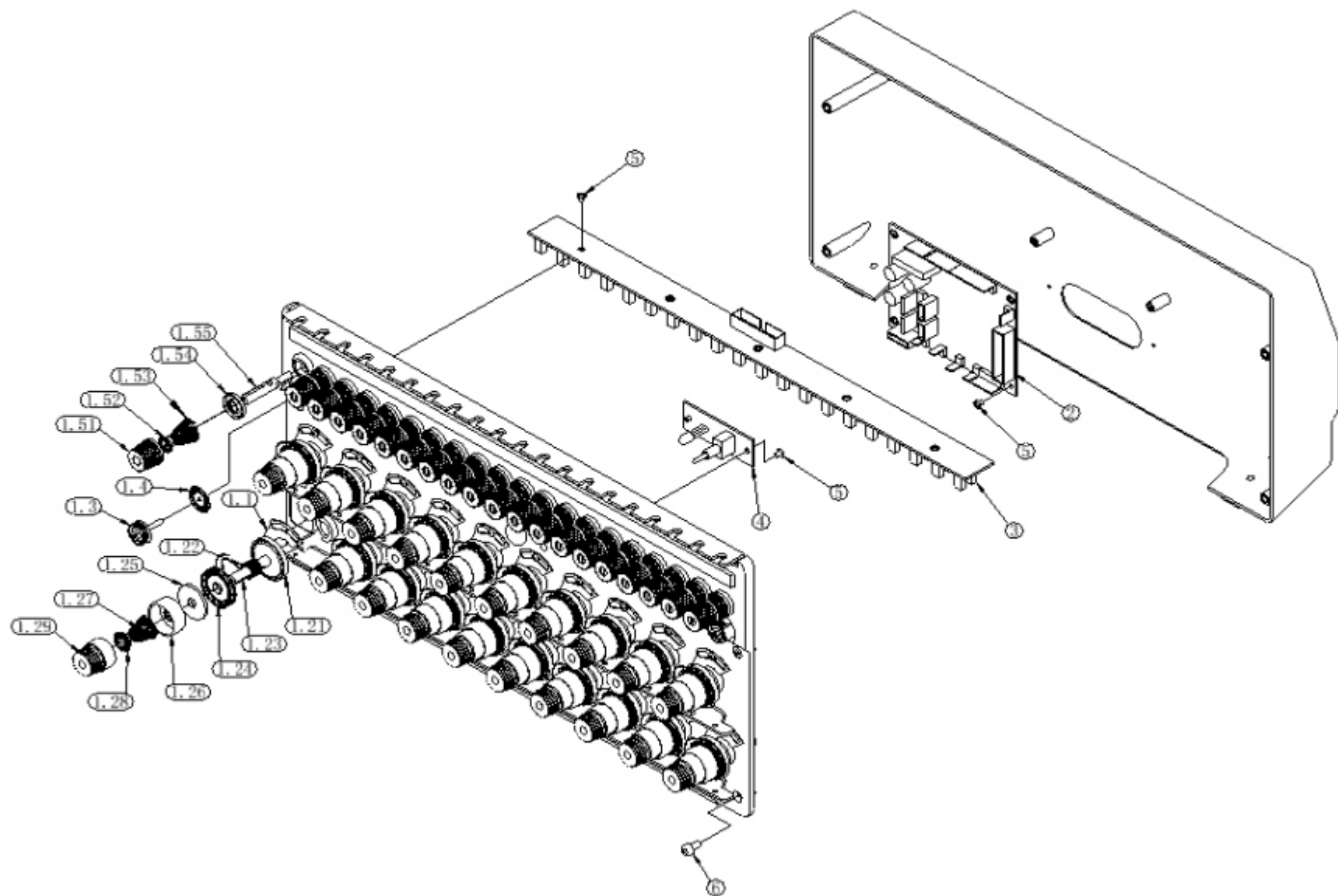


19.Thread Tension Base

11121V1.2

NO.	Serial NO.	Part Name	Remark
1	03144291XZ	Upper Thread Tension Base-Wheel Only-12 Needles	
1	03144391XZ	Upper Thread Tension Base-Wheel Only-15 Needles	
2	03150802MT	Head Indicator Board	
3	03151601	Thread Break Detection Board-Solenoid	4
4	03144210	Thread Guide Support Plate-12	
4	03144310	Thread Guide Support Plate-15	
5	03144214	Bracket Left-Thread Tension Base	
5	03144215	Bracket Right-Thread Tension Base	
6	03144212	Thread Tension Base Rear Cover-12	
6	03144312	Thread Tension Base Rear Cover-15	
7	03144253	Thread Course Strip Module-12	
7	03144353	Thread Course Strip Module-15	
8	03144254	Adjusting Knob Module- Thread Tensioner	

NO.	Serial NO.	Part Name	Remark
8.1	03144202	Thread Pressing Plate-Wheel	
8.2	03144224	Tension Spring	
8.3	03144208	Knob Pole-Wheel	
8.4	03144203	Clamp Plate	
8.5	03144207	Tension Knob-Wheel	
9	03144252	Thread Course Wheel Module-Bearing	
10	03150801MT	Sensor Board-Detecting Thread Break	
11	80746304	Screw M3*4	
12	80810420	M4X20 Cylinder Head Hexagon - Black	
13	80860326	M3*6 Flat Head Philips Screw	
14	80810408	M4X8 Screw	
15	80700308	Screw-St2.9*8	
16	80900428	M4 Nut	



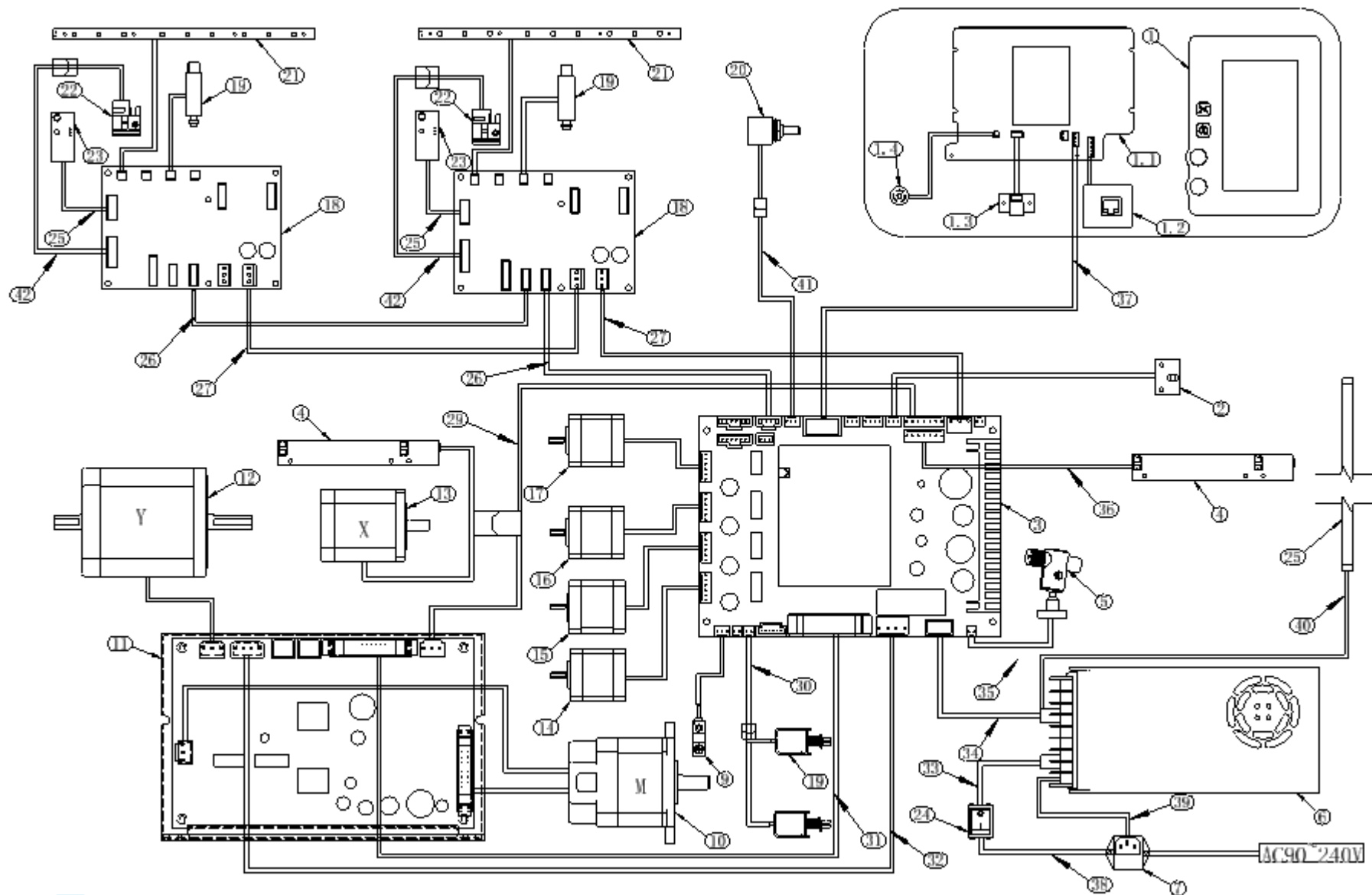


20.Thread-Tension Base-20

11122V1.2

NO.	Serial NO.	Part Name	Remark
1	72216020	Thread-Tension Base-Wheel+Spring-20	
1.1	72210201	Take-Up Thread Spring Copper	
1.21	72210302	Ring	
1.22	72210301	Take-Up Thread Spring	
1.23	72210303	Thread Clamp Bolt-DY	
1.24	72210305	Winding Wheel	
1.25	72210304	Cotton Pad	
1.26	72210306	Spring Seat	
1.27	72210307	Spring	
1.28	72210308	Locking Washer	
1.29	72210309	Tension Knob	
1.3	72210401	Winding Wheel-DY	

NO.	Serial NO.	Part Name	Remark
1.4	72210501	Chop Light Wheel	
1.51	72210705	Tightening Knob - Small Knob-DY	
1.52	72210704	Lock Washer - Small Knob-DY	
1.53	72210703	Small Spring	
1.54	72210702	Pressing Sheet	
1.55	72210701	Thread Clamp Bolt-DY	
1.6	72210620	Thread Tension Base Rear Cover-20-Wheel + Spring	
2	03151603	Head Board-20N	*** 4
3	03151611	Thread Break Detection Board-20N	*** 5
4	03150802VA	Arm Indicator Lighting Board-LED-P	
6	80742306	M3X6 Screw	
7	80813408	M4*8 Hexagon Socket Caphead Screw	

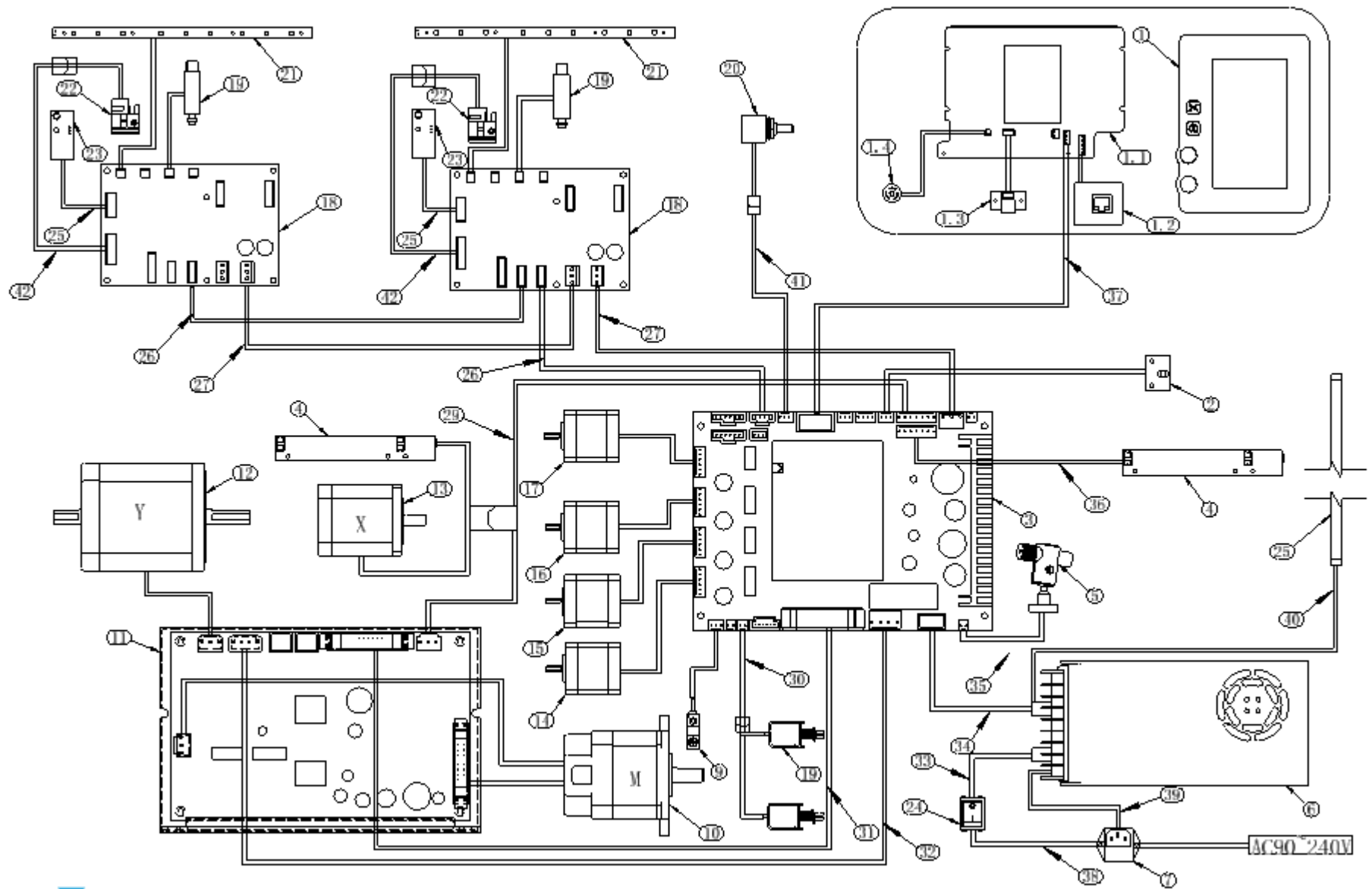




21.Electronic Components-7S

NO.	Serial NO.	Part Name	Remark
1	03151562MT	Control Panel Module-Horizontal-MT	
1.1	03150227	Screen Assembly+Keyboard-TZ507	
1.2	03150601RT	Network Interface Board-RT7P	
1.3	03150206BA	Usb Interface Board-OEM	
1.4	03151515	Emergency Switch-8 Inch	
2	03150810MT	Zero Position Sensor-MT	
3	03150760VA	Multi-function Board+DSP Board	4
4	03150820	Sensor Board-Limit Position	
5	05313181	Laser Device	
6	80380641	Switching Power Supply-HF350W-DC-24	
6	80380660	Switching Power Supply-Pdf-600-36	
7	03150602	Power Connection Socket	
8	02010665VB	Picker Solenoid Set-MT	
9	03154454	Micro Proximity Switch-MT1	
9	03154453	Cylinder Proximity Switch NPN-MT2	

NO.	Serial NO.	Part Name	Remark
10	80310701BC	Main Motor-70Sf3A60	3
11	03152160MT1	3-IN-1 Driver - 507/508	6
11	03152160MT2	3-IN-1 Driver - 507/508	5
12	80308630AP	Stepping Motor-Three Phase-86HS3B103-456	
12	80308670	Stepping Motor-86HS3B135-506	
13	80306001	Motor DT-X 60BYG350	
14	80304213	Trimming Motor42BYGH5201-01	
15	80304211	Thread-hooking Stepping Motor 42BYGH4408-12	
16	80304213	Trimming Motor42BYGH5201-01	
16	80305761	Hooking Motor 57BYGH80D10-15	
17	80304253	Stepping Motor-42H53-1206B-MTJ-01	
18	03151601	Thread Break Detection Board-Solenoid	8
19	80320211	Jumping Electromagnet	
20	03150833	Multi-Turn Potentiometer	
21	03090512	Alarm Sensor Board-LED-12-P	

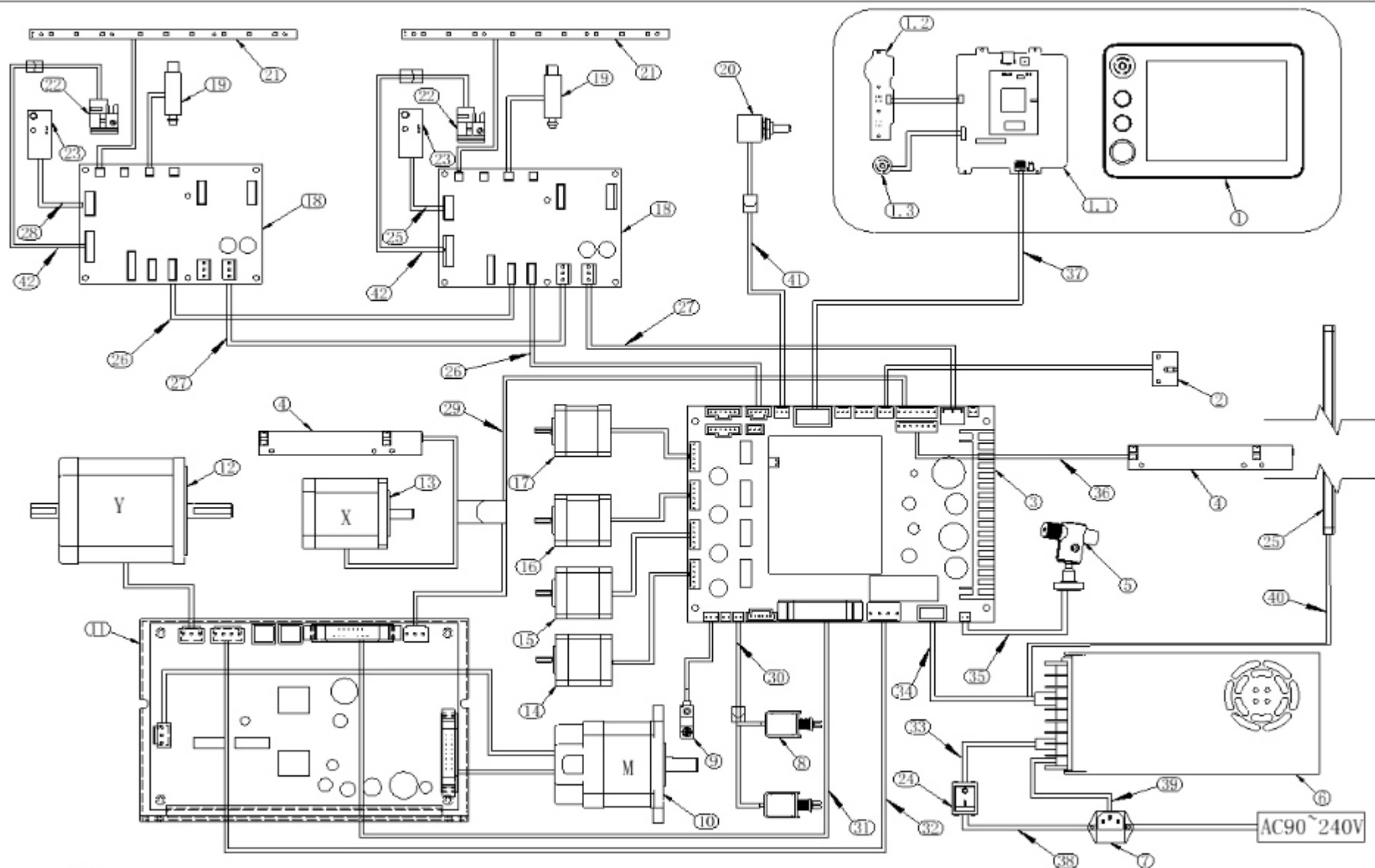




21.Electronic Components-7S

NO.	Serial NO.	Part Name	Remark
21	03090515	Alarm Sensor Board-LED-15-P	
21	03090520	Light Plate-LED-20N	
22	03150801	Sensor Board-Detecting Thread Break	
23	03154339MT	Signal Cable - Thread Break Detection Sensor to Head Board	
24	03150603	Power Switch	
25	80240105	LED Fluorescent Lamp T5-4W	
26	03154345MT	Power Cable-Multi-Function Board To 3-In-1 Driver	
27	03154346MT	Signal Cable-Multifunction Board to 3-in-1 Driver	
28	03154423	Signal Cable-Head Board to Alarm board	
29	03154451	Signal Cable-X Axis Motor-MT1	
29	03154452	Signal Cable-X Axis Motor-MT2	
30	03154414MT	Power Cable-Picker Solenoid-MT2	
30	03154415MT	Power Cable-Picker Solenoid-MT1	
31	03154346PT	Signal Cable-Multi-Function Board To 3-In-1 Driver	

NO.	Serial NO.	Part Name	Remark
31	03154346MT	Signal Cable-Multifunction Board to 3-in-1 Driver	
32	03154345PT	Power Cable-Multi-Function Board To 3-In-1 Driver	
32	03154345MT	Power Cable-Multi-Function Board To 3-In-1 Driver	
33	03154412MT	Switching Power Supply-Switch Power Cable	
34	03154344PT	Power Cable-Switch Power To Multi-Function Board	
35	03154341MT	Power Cable-Laser Device To Multi-Function Board	
36	03154342PT	Signal Cable-Y Axis Limit Sensor To Multi-Function Board	
37	03154336PT	Power Cable + Signal Cable-7 Inch Control Panel To Multi-Function Board	
38	03154411MT	Plug-Switching Power Supply Power Wire	
39	03154413MT	Plug-Switching Power Supply Ground Wire	
40	03154425MT	Switching Power Supply-T5LED Power Cable-MT1	
40	03154426MT	Switching Power Supply-T5LED Power Cable-MT2	
41	03154338PT	Signal Cable-Potentiometer To Multi-Function Board	
42	03154339MT	Signal Cable - Thread Break Detection Sensor to Head Board	

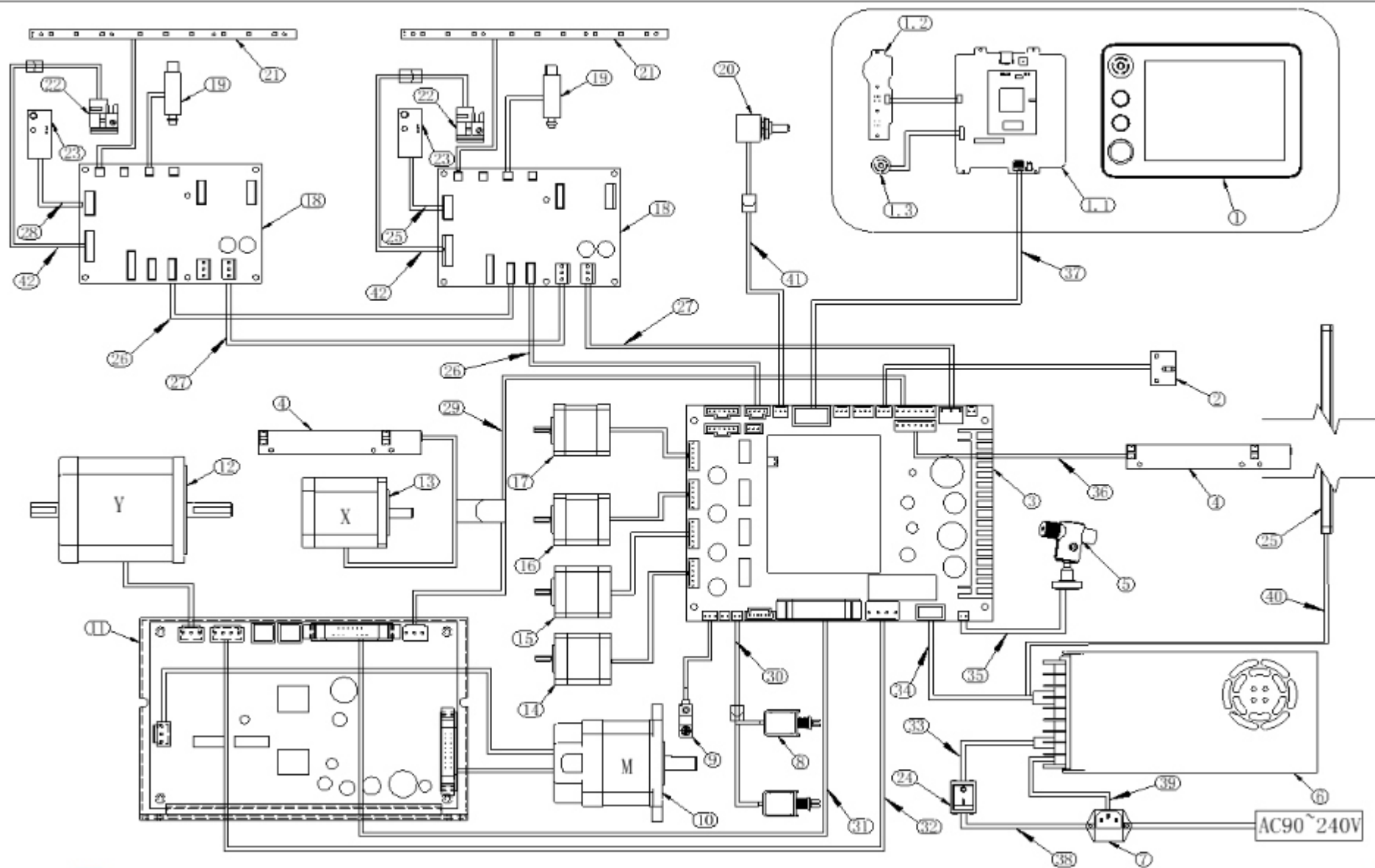




22.Electronic Components-8S

NO.	Serial NO.	Part Name	Remark
1	03151568MT	Control Panel-P8-MT	
1.1	03150218	DSP-Mainboard-508-T1788	
1.2	03151516	Button Plate-8 Inch	
1.3	03151515	Emergency Switch-8 Inch	
2	03150810MT	Zero Position Sensor-MT	
3	03150760VA	Multi-function Board+DSP Board	7
4	03150820	Sensor Board-Limit Position	
5	05313181	Laser Device	
6	80380641	Switching Power Supply-HF350W-DC-24	
6	80380660	Switching Power Supply-Pdf-600-36	
7	03150602	Power Connection Socket	
8	02010665VB	Picker Solenoid Set-MT	
9	03154454	Micro Proximity Switch-MT1	
9	03154453	Cylinder Proximity Switch NPN-MT2	
10	80310701BC	Main Motor-70Sf3A60	6

NO.	Serial NO.	Part Name	Remark
11	03152160MT1	3-IN-1 Driver - 507/508	*** 5
11	03152160MT2	3-IN-1 Driver - 507/508	*** 4
12	80308630AP	Stepping Motor-Three Phase-86HS3B103-456	
12	80308670	Stepping Motor-86HS3B135-506	
13	80306001	Motor DT-X 60BYG350	
14	80304213	Trimming Motor42BYGH5201-01	
15	80304211	Thread-hooking Stepping Motor 42BYGH4408-12	
16	80304213	Trimming Motor42BYGH5201-01	
16	80305761	Hooking Motor 57BYGH80D10-15	
17	80304253	Stepping Motor-42H53-1206B-MTJ-01	
18	03151601	Thread Break Detection Board-Solenoid	8
19	80320211	Jumping Electromagnet	
20	03150833	Multi-Turn Potentiometer	
21	03090512	Alarm Sensor Board-LED-12-P	
21	03090515	Alarm Sensor Board-LED-15-P	



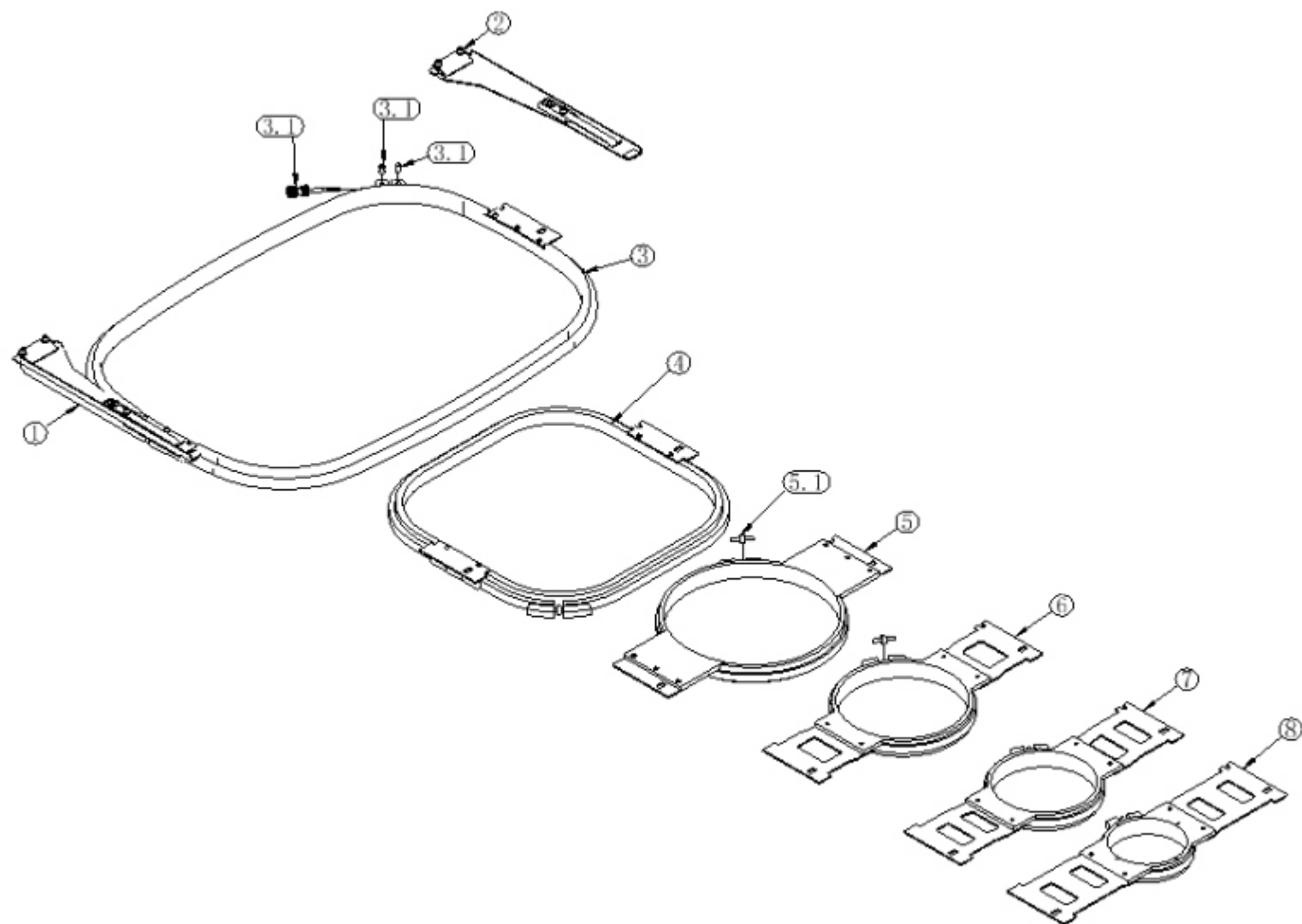
22.Electronic Components-8S

11132V2.0



NO.	Serial NO.	Part Name	Remark
21	03090520	Light Plate-LED-20N	
22	03150801	Sensor Board-Detecting Thread Break	
23	03154339MT	Signal Cable - Thread Break Detection Sensor to Head Board	
24	03150603	Power Switch	
25	80240105	LED Fluorescent Lamp T5-4W	
26	03154345MT	Power Cable-Multi-Function Board To 3-In-1 Driver	
27	03154346MT	Signal Cable-Multifunction Board to 3-in-1 Driver	
28	03154423	Signal Cable-Head Board to Alarm board	
29	03154451	Signal Cable-X Axis Motor-MT1	
29	03154452	Signal Cable-X Axis Motor-MT2	
30	03154414MT	Power Cable-Picker Solenoid-MT2	
30	03154415MT	Power Cable-Picker Solenoid-MT1	
31	03154346PT	Signal Cable-Multi-Function Board To 3-In-1 Driver	
31	03154346MT	Signal Cable-Multifunction Board to 3-in-1 Driver	

NO.	Serial NO.	Part Name	Remark
32	03154345PT	Power Cable-Multi-Function Board To 3-In-1 Driver	
32	03154345MT	Power Cable-Multi-Function Board To 3-In-1 Driver	
33	03154412MT	Switching Power Supply-Switch Power Cable	
34	03154344PT	Power Cable-Switch Power To Multi-Function Board	
35	03154341MT	Power Cable-Laser Device To Multi-Function Board	
36	03154342PT	Signal Cable-Y Axis Limit Sensor To Multi-Function Board	
37	03154337PT	Power Cable + Signal Cable-8 Inch Control Panel To Multi-Function Board	
38	03154411MT	Plug-Switching Power Supply Power Wire	
39	03154413MT	Plug-Switching Power Supply Ground Wire	
40	03154425MT	Switching Power Supply-T5LED Power Cable-MT1	
40	03154426MT	Switching Power Supply-T5LED Power Cable-MT2	
41	03154338PT	Signal Cable-Potentiometer To Multi-Function Board	
42	03154339MT	Signal Cable - Thread Break Detection Sensor to Head Board	

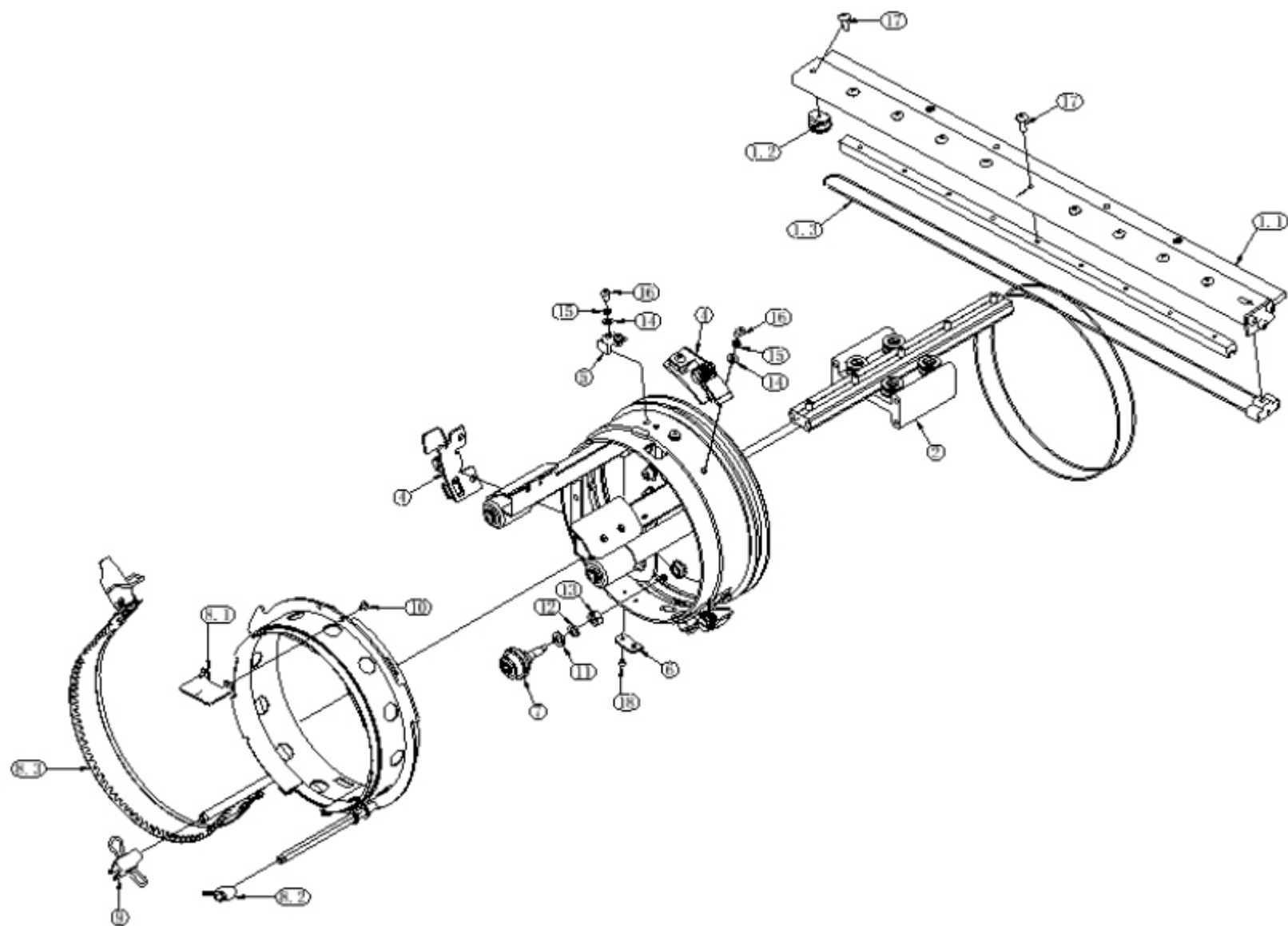




23. Frames and Bracket

NO.	Serial NO.	Part Name	Remark
1	03100292	Frame Support Module-L	
2	03100291	Frame Bracket Module-R	
3	03173691	Square Frame-540X360	
3.1	03173630	Tighten Screw Module	
4	03173181	Square Frame-290X290	
4	02540681CB	Hoop CA-290	
5	03172681	Round Frame-200	
5	02540581CB	Hoop CA-190	

NO.	Serial NO.	Part Name	Remark
5.1	03171102	Frame Tighten Screw	
6	03172181	Round Frame-150	
6	02540481CB	Hoop CA-150	
7	03171681	Round Frame-120	
7	02540381CB	Hoop CA-120	
8	03171181	Round Frame-90	
8	02540281CB	Hoop CA-90	
9	80813581	M5*14 Hexagon Socket Caphead Screw	



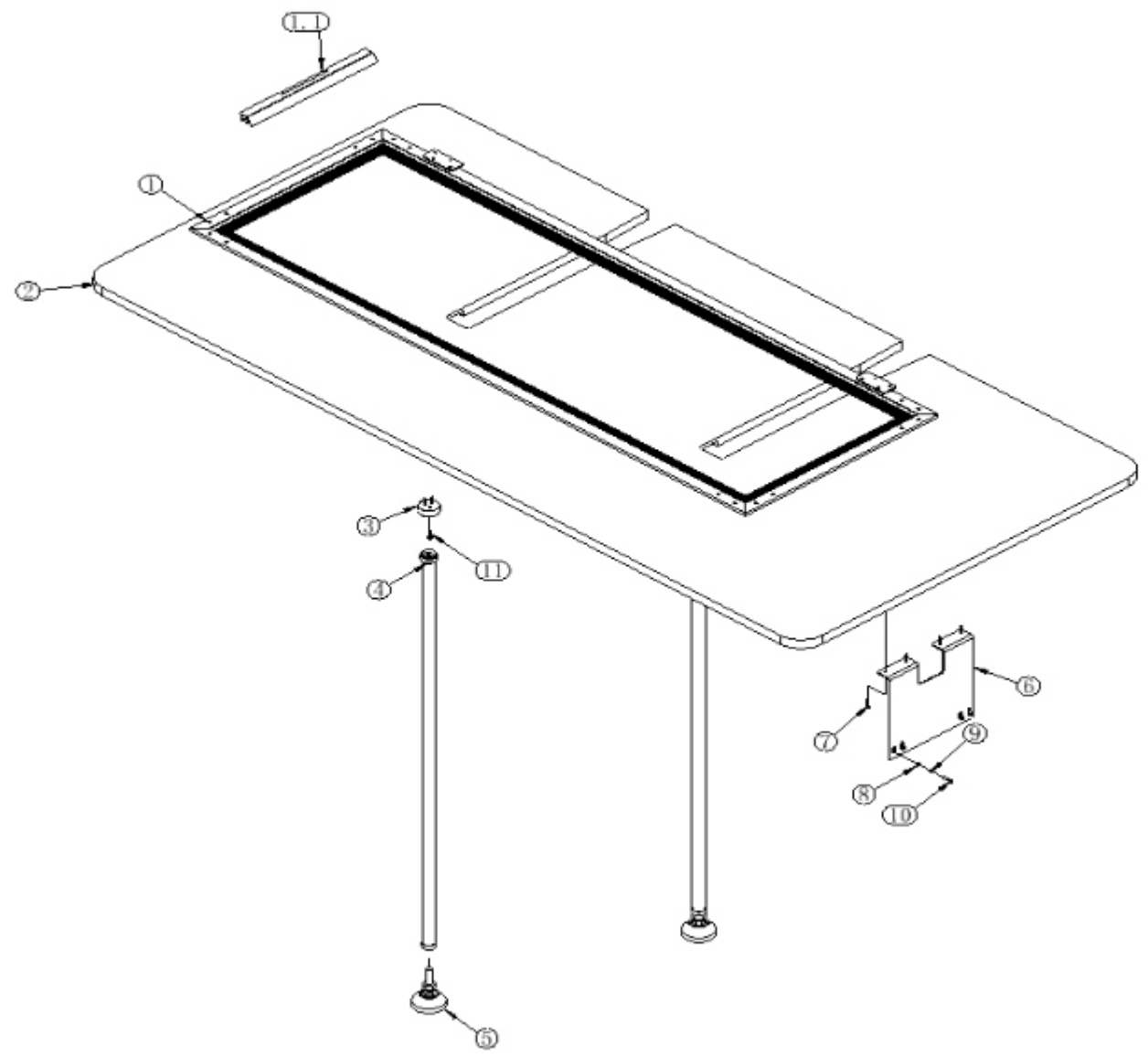


24.Cap Driver-MT

11151V1.2

NO.	Serial NO.	Part Name	Remark
	02818003	Cap Driver Assembly-TC/PT	
1	02815042	Cap Driver Connection Plate Assembly-P-MT	
1.1	02815010	Drive Frame-PT	
1.2	02815008	Steel Wire Wheel	
1.3	02815052	Hat Rack Steel Wire Kit-P-MT	
2	02815039	Linear Guide Rail Set Rkm-220-L	
3	02810271	Clamp Head Components B	
4	02810270	Clamp Head Components A	
5	02810205	Hat Rack Spacing Shrapnel	
6	02810204	Positioning Block	
7	02810161	Eccentric Wheel Components	
8	02811080	Cap Ring Kit -360	
8.1	02811006	Positioning Block	

NO.	Serial NO.	Part Name	Remark
8.2	02811019	Tapered End Hook	
8.3	02811082	Cap Strapping Rod Components	
9	02811055	Clamp - Cap Ring	
10	80746304	Screw M3*4	
11	80900601	M6 Plain Washer	
12	80900613	M6 Spring Washer - Black	
13	80900628	Nut M6 - Stainless Steel	
14	80900401	M4 Plain Washer	
15	80900413	M4 Spring Washer - Black	
16	80740401	Screw M4*6-Small Head	
17	80746412	Screw M4*12	
18	80860304	M3*4 Flat Head Philips Screw	

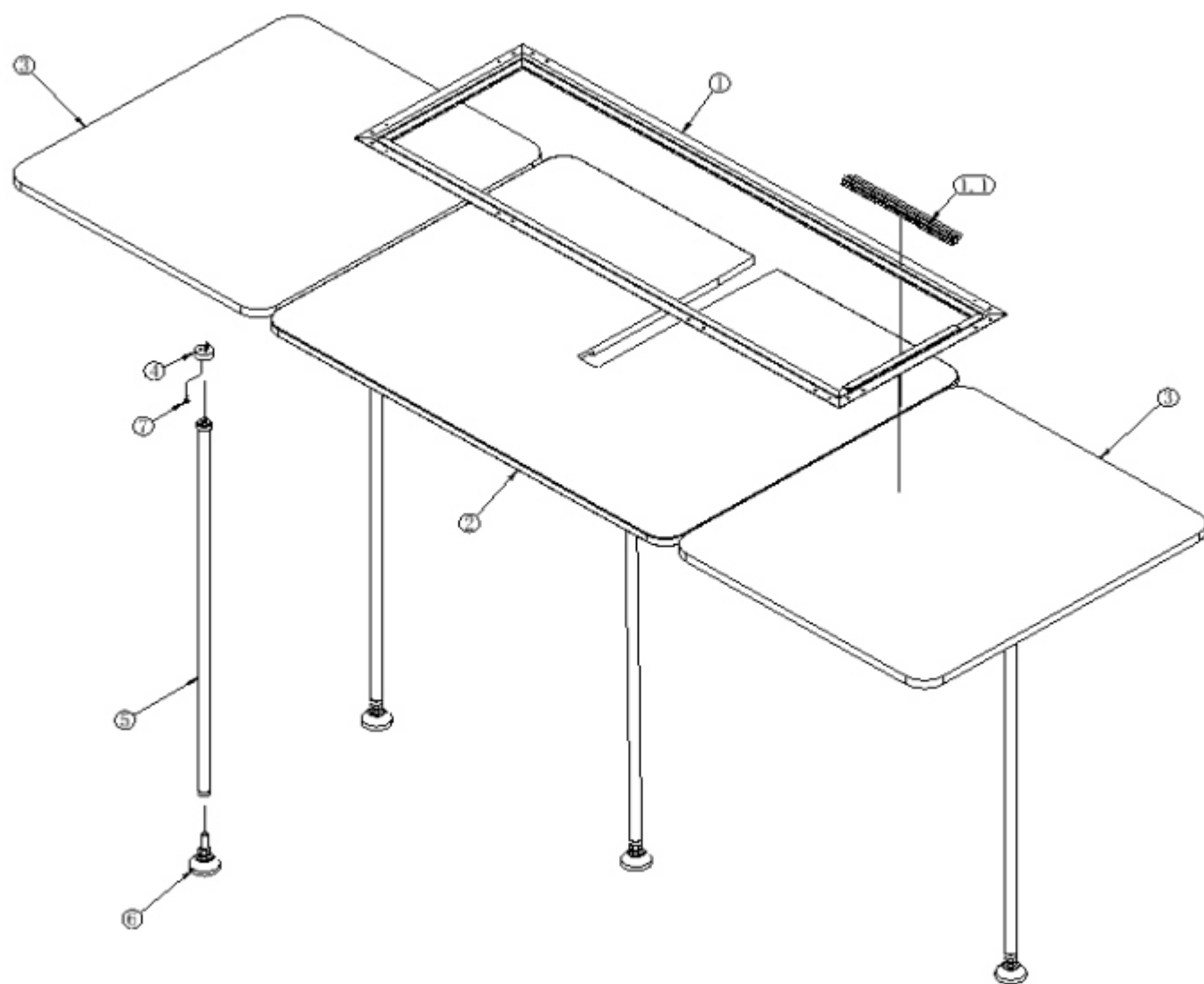




25.Flat Embroidery Table

NO.	Serial NO.	Part Name	Remark
1	3011311060	Flat Sash Frame-MT2214-2	
1	03175180	Aluminum Frame-EW2214	
1.1	01505102	Feed Collet -220	
1.1	01505101	Feed Collet-300	
2	3011311002	Flat Table-MT2	
2	3011311001	Flat Table-MT1	
3	03010313	Table Suport Megnet Base	
4	03010325	Support Pillar	

NO.	Serial NO.	Part Name	Remark
5	80270831	Support Feet-Nylon-Φ50-M12*50	
6	3011311011	Table Support A-MT	
7	80700103	M3.5X20 Cross Of Tapping Screws-Black	
8	80900401	M4 Plain Washer	
9	80900413	M4 Spring Washer - Black	
10	80810416	M4*16 Hexagon Socket Caphead Screw	
11	80746512	M5X12 Screw	





26.Extension Table MT-4814-1

NO.	Serial NO.	Part Name	Remark
1	03175260	Aluminum Frame-EW4814	
1.1	01505102	Feed Collet -220	
1.1	01505101	Feed Collet-300	
2	3011311001	Flat Table-MT1	
3	3011311005	Side Table-MT1-4814	

NO.	Serial NO.	Part Name	Remark
4	03010313	Table Suport Megnet Base	
5	03010325	Support Pillar	
6	80270831	Support Feet-Nylon-Φ50-M12*50	
7	80700103	M3.5X20 Cross Of Tapping Screws-Black	